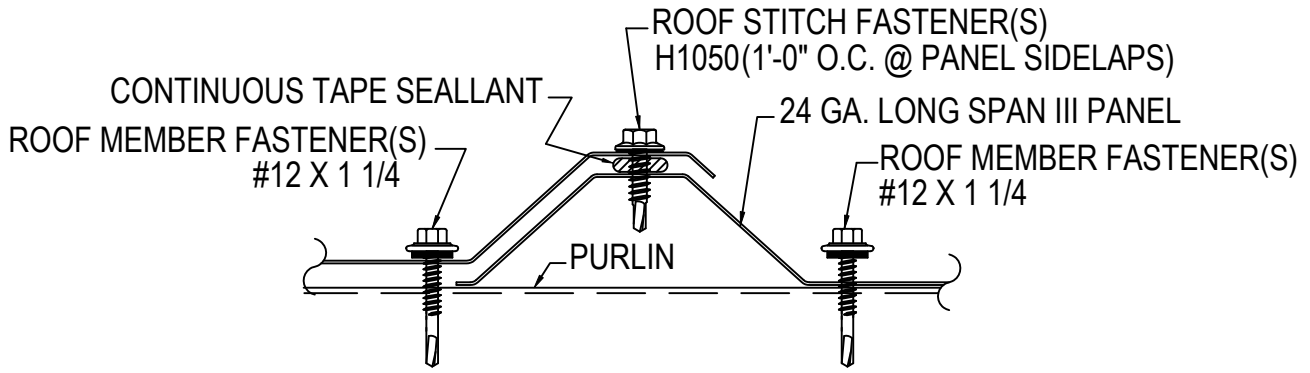
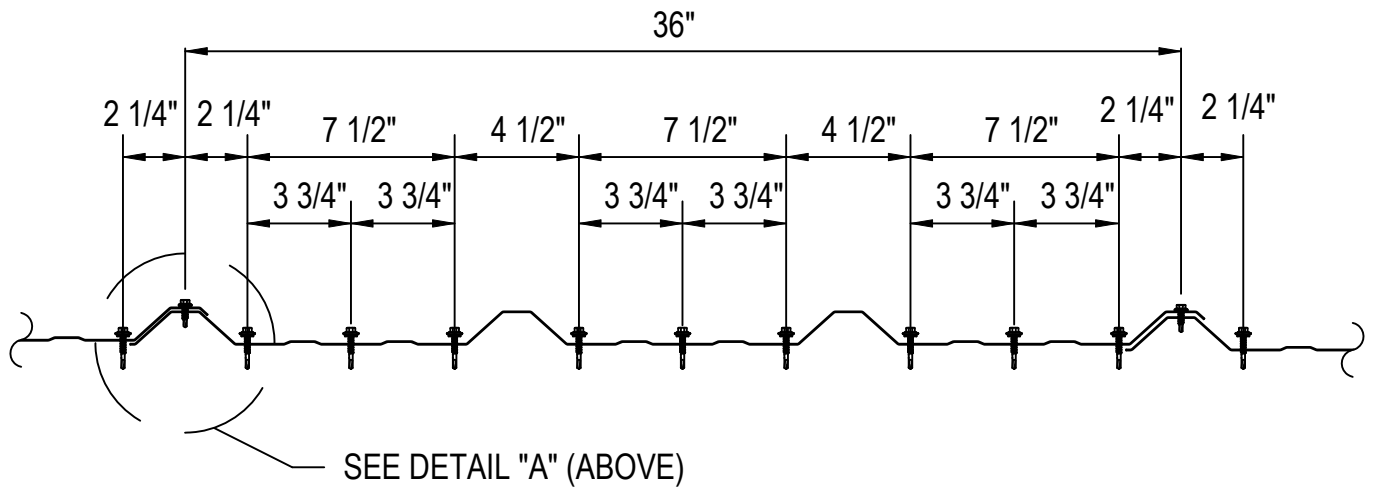


- SA0011- Long Span III Fastener Layout at Eave, Endlaps and Ridge (Miami-Dade Co.)
- SA0012- Long Span III Fastener Layout at Intermediate Purlin (Miami-Dade Co.)
- SA0013- Long Span III Panel End Lap Detail (Miami-Dade Co.)



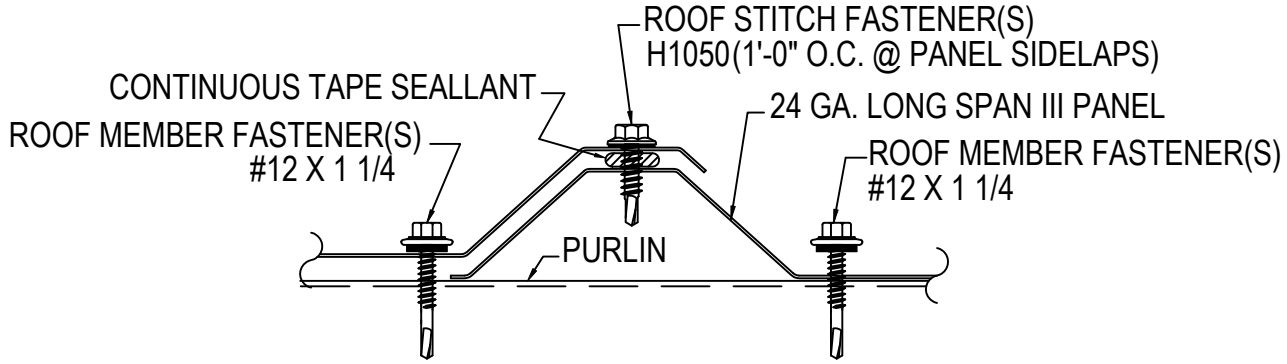
DETAIL "A"



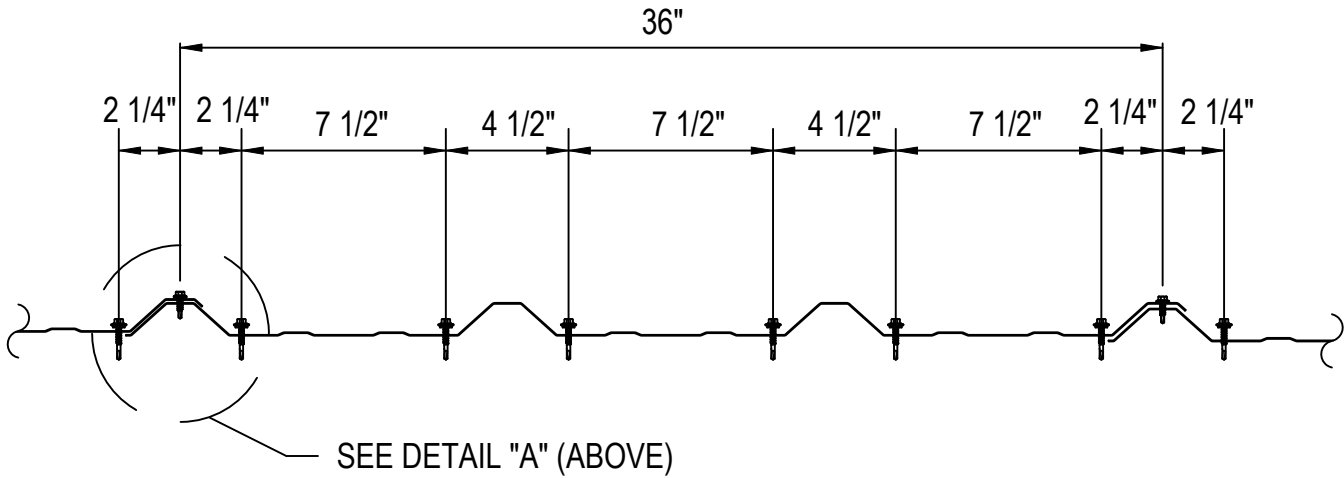
FASTENER LAYOUT AT EAVE, ENDLAPS AND RIDGE

SA0011

**LONG SPAN III ROOF FASTENER LAYOUT  
TYPICAL AT EAVE, ENDLAPS AND RIDGE  
(MIAMI-DADE COUNTY NOA 13-1205.04 REQUIREMENT)**



DETAIL "A"

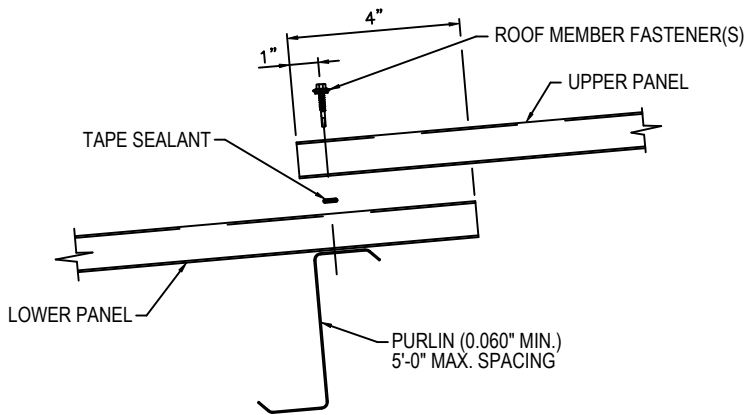
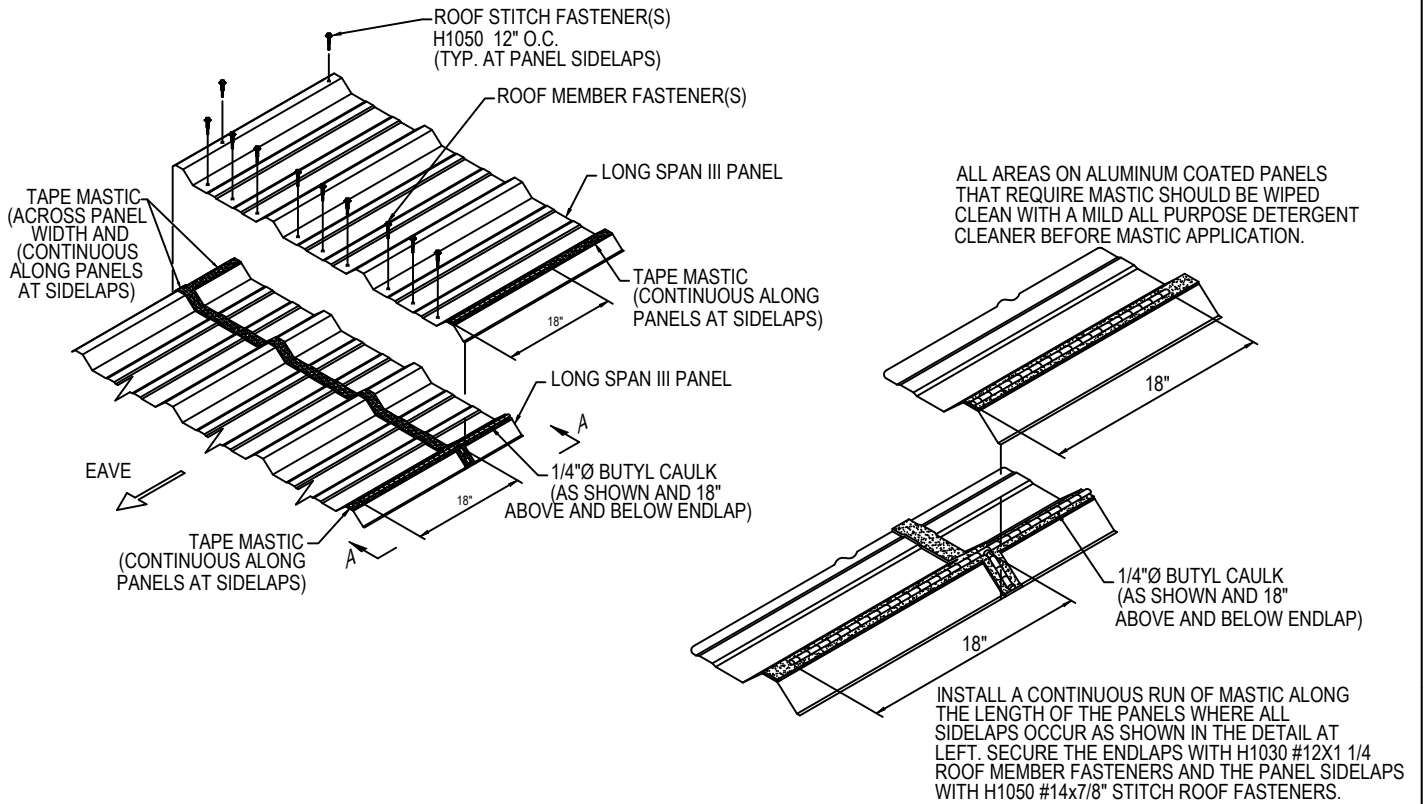


FASTENER LAYOUT AT INTERMEDIATE PURLINS

SA0012

LONG SPAN III ROOF FASTENER LAYOUT  
TYPICAL AT INTERMEDIATE PURLINS  
(MIAMI-DADE COUNTY NOA 13-1205.04 REQUIREMENT)

**SAFETY PRECAUTION:**  
DO NOT STEP ON RIB OF PANEL. ALWAYS STEP ON FLAT SURFACE. DO NOT STEP ON PANELS UNTIL FULLY SECURED WITH FASTENERS.



SECTION A-A

SA0013

LONG SPAN III PANEL ENDLAP DETAIL  
(MIAMI-DADE COUNTY NOA 13-1205.04 REQUIREMENT)