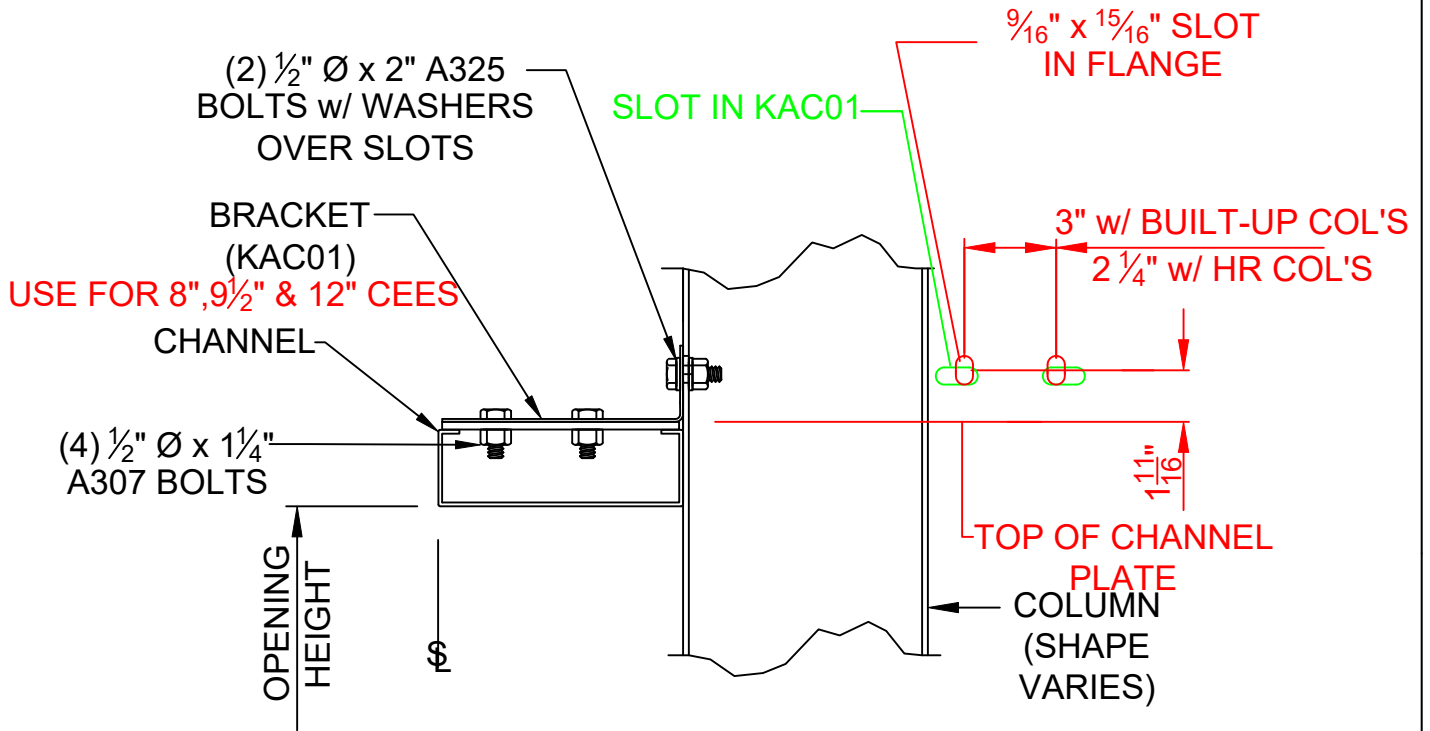
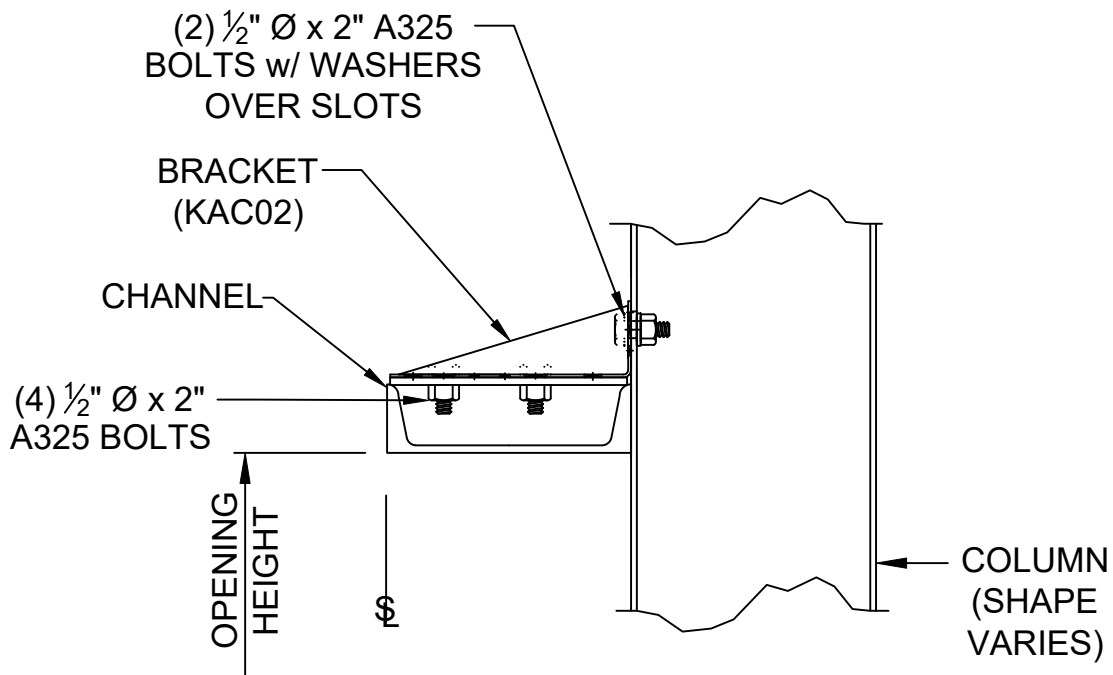


LF0010 - By-Frm CF "C" Open Below
LF0020 - By-Frm HR "C" Open Below
LF0110 - CF Channel to Jamb



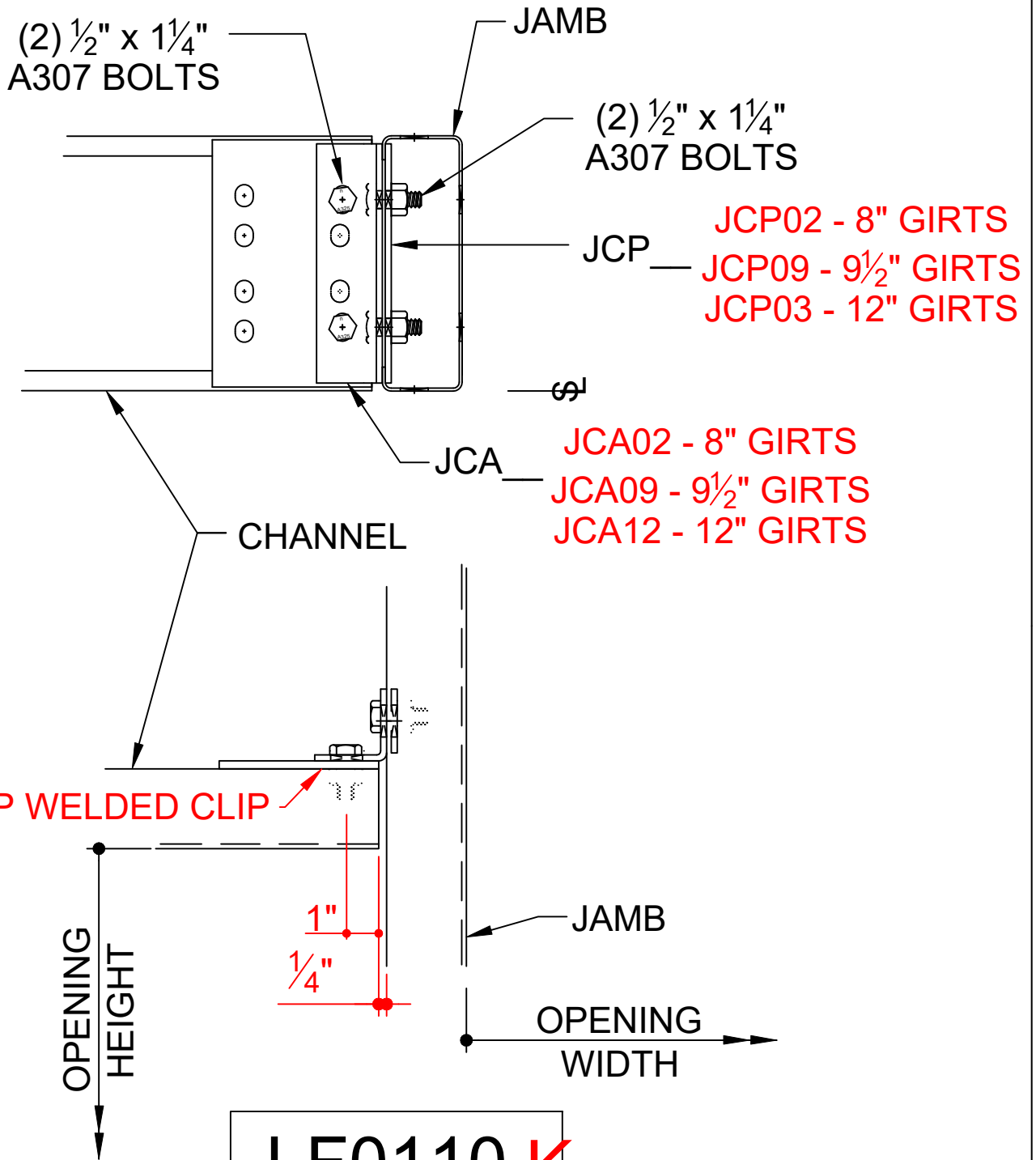
LF0010K

BY-FRAME COLD FORMED CHANNEL CONNECTION WHEN OPEN BELOW



LF0020

BY-FRAME HOT-ROLLED CHANNEL CONNECTION WHEN OPEN BELOW



COLD FORMED WIND CHANNEL CONNECTION TO JAMB