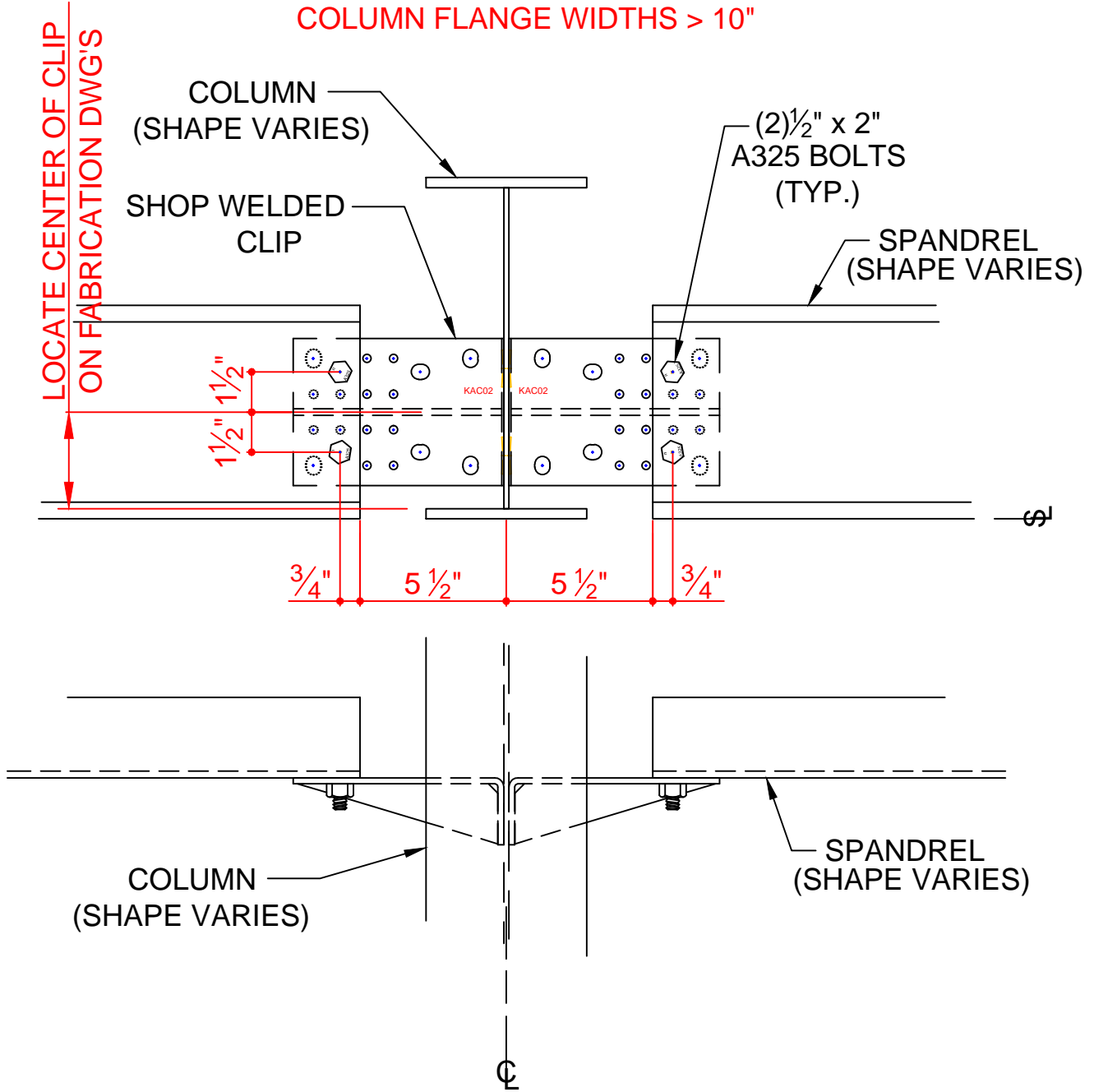


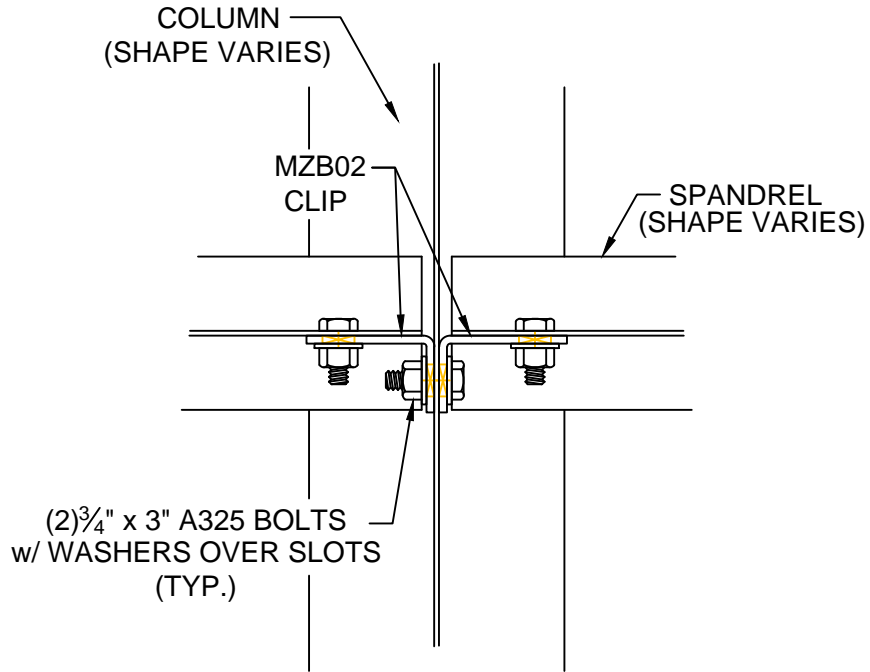
- LE0001 - Flush Spandrel Conn to "I" Col. w/KAC02
- LE0004 - FLush Spandrel Conn. to "I" Col. w/ MZB02
- LE0006 - Flush Spandrel Conn. to "I" Col. w/ MZB03
- LE0110 - CF Channel to Wall
- LE0120 - HR Channel to Wall

DO NOT USE THIS DETAIL FOR COLUMN FLANGE WIDTHS > 10"

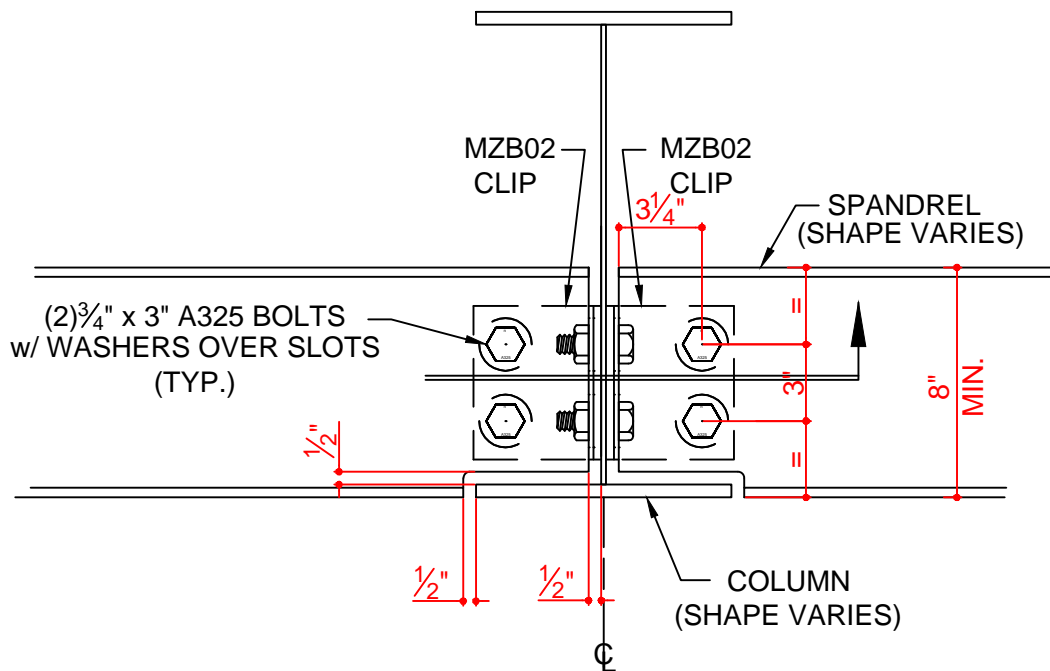


LE0001 K

FLUSH SPANDREL CONNECTION TO "I" SHAPE COLUMN

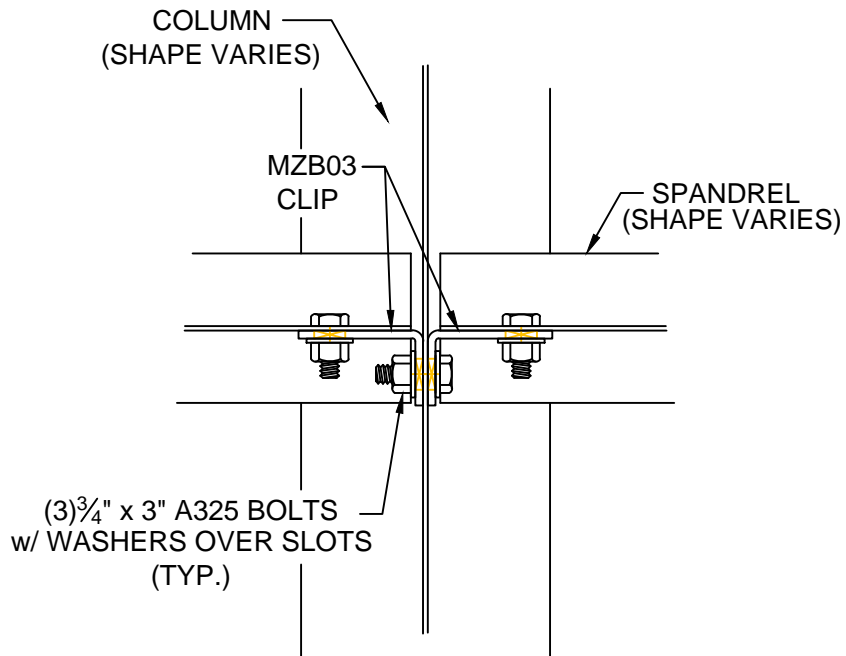


SECTION

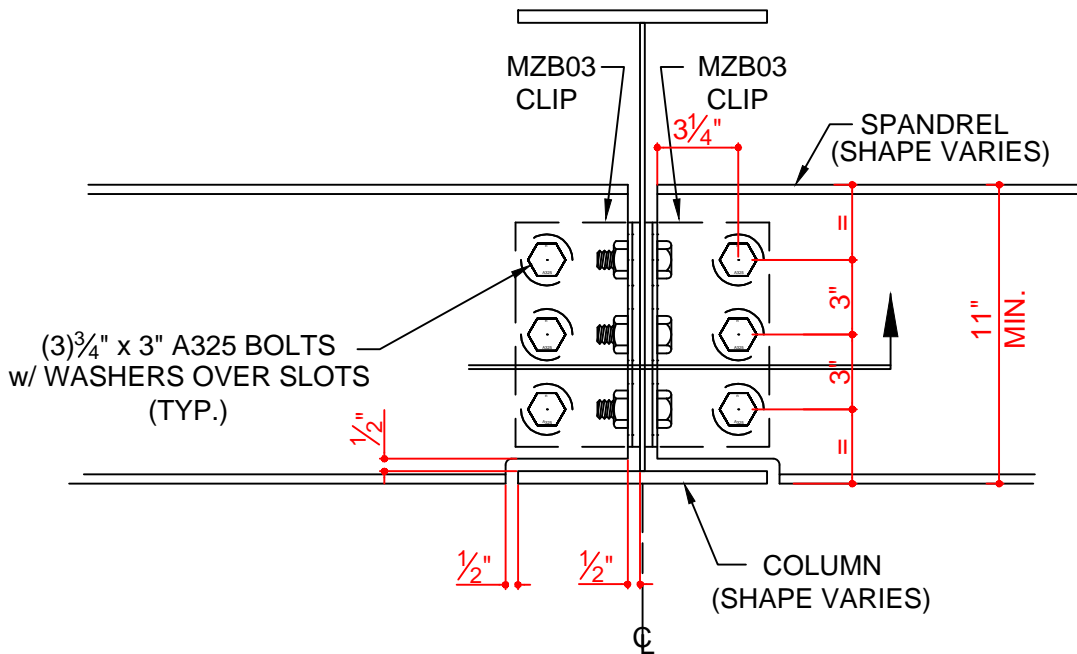


LE0004 K

SPANDREL CONNECTION TO "I" SHAPE COLUMN

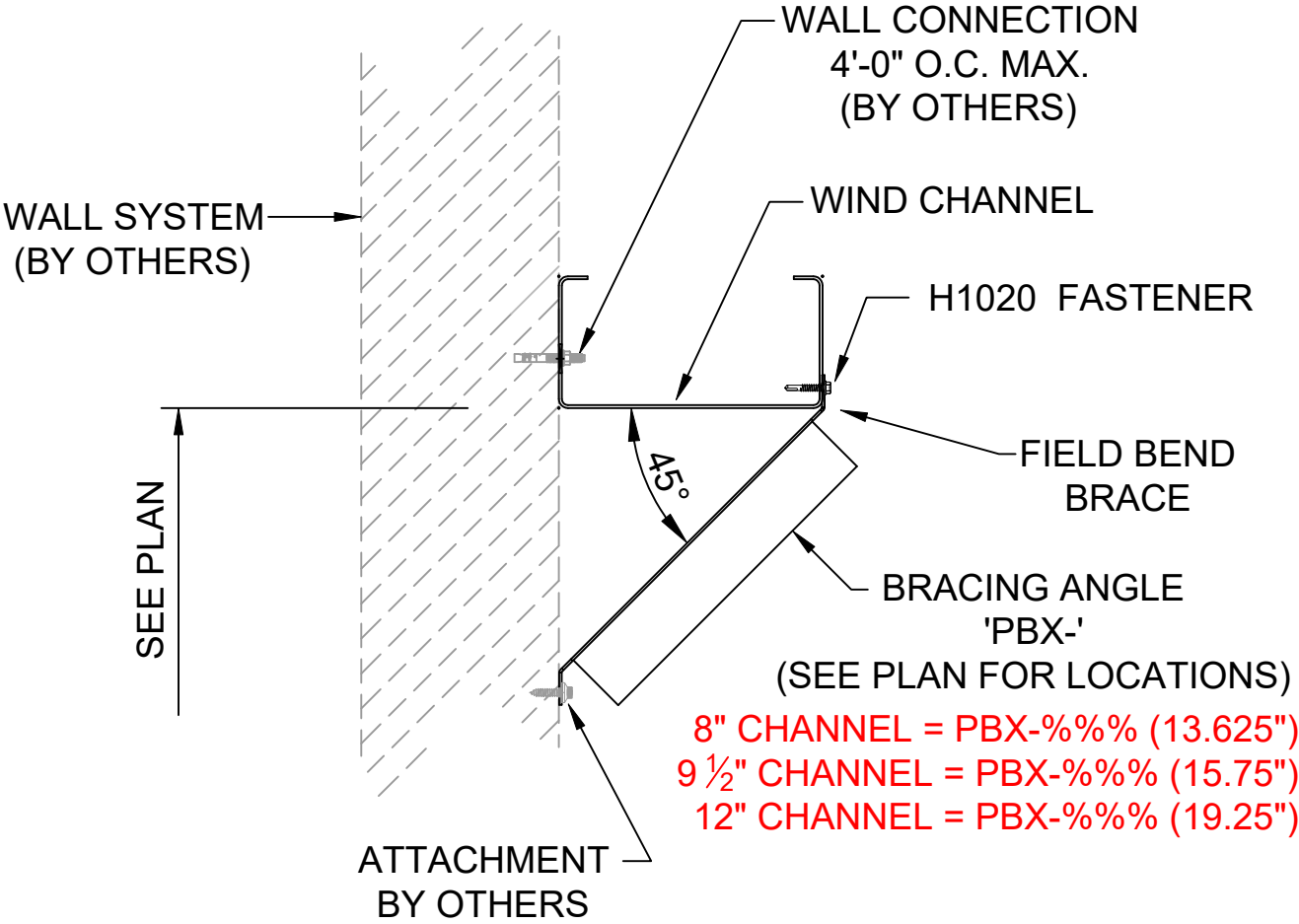


SECTION



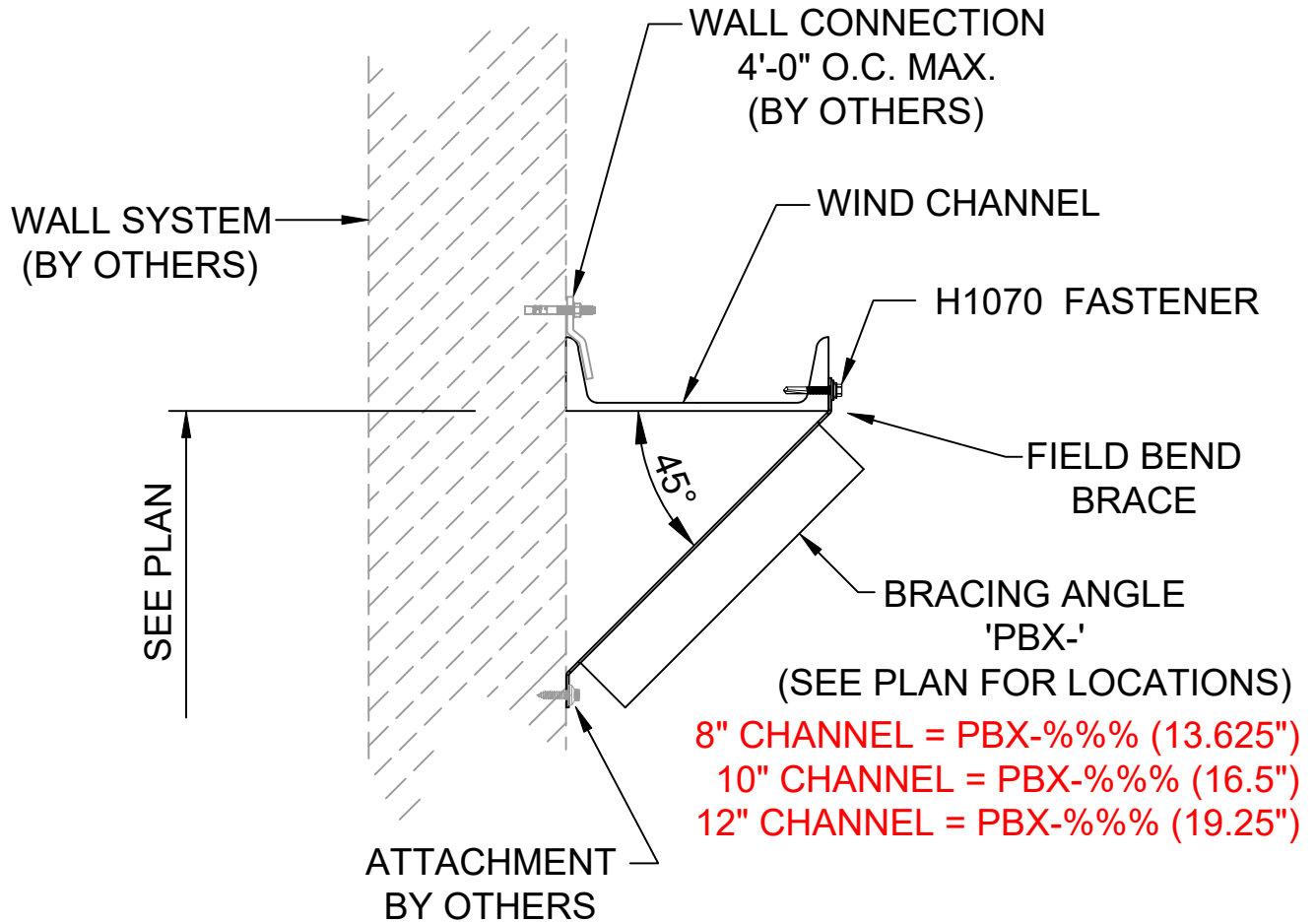
LE0006 K

SPANDREL CONNECTION TO "I" SHAPE COLUMN



LE0110 K

COLD FORM WIND CHANNEL TO WALL ATTACHMENT



LE0120 K

HOT ROLLED WIND CHANNEL TO WALL ATTACHMENT