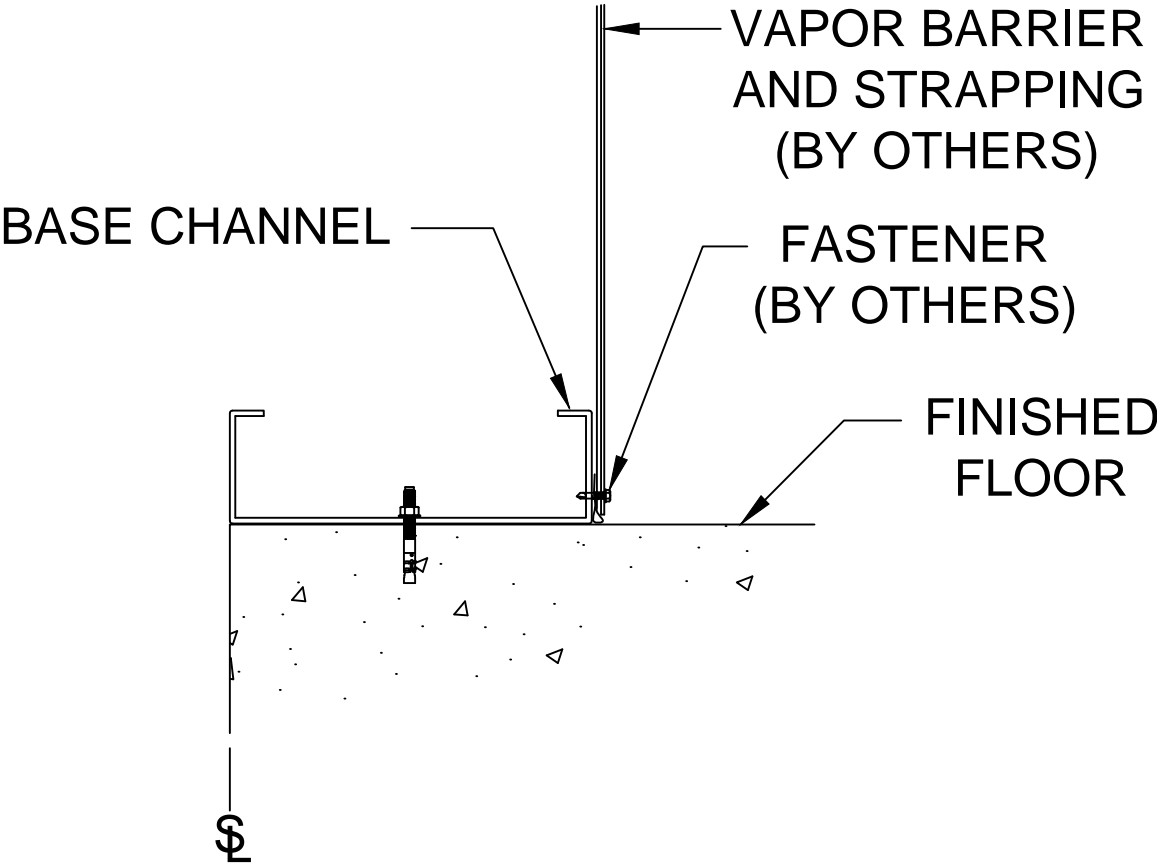


- IO0011 - Vapor Barrier at Base
- IO0021 - Vapor Barrier at Low Eave
- IO0031 - Vapor Barrier at High Eave
- IO0041 - Vapor Barrier at Rake (Flush/Inset)
- IO0043 - Vapor Barrier at Rake (By-Frame of RF)

REFER TO INSULATION SUPPLIERS INSTALLATION INSTRUCTIONS FOR PROPER INSTALLATION OF VAPOR BARRIER AND INSULATION.



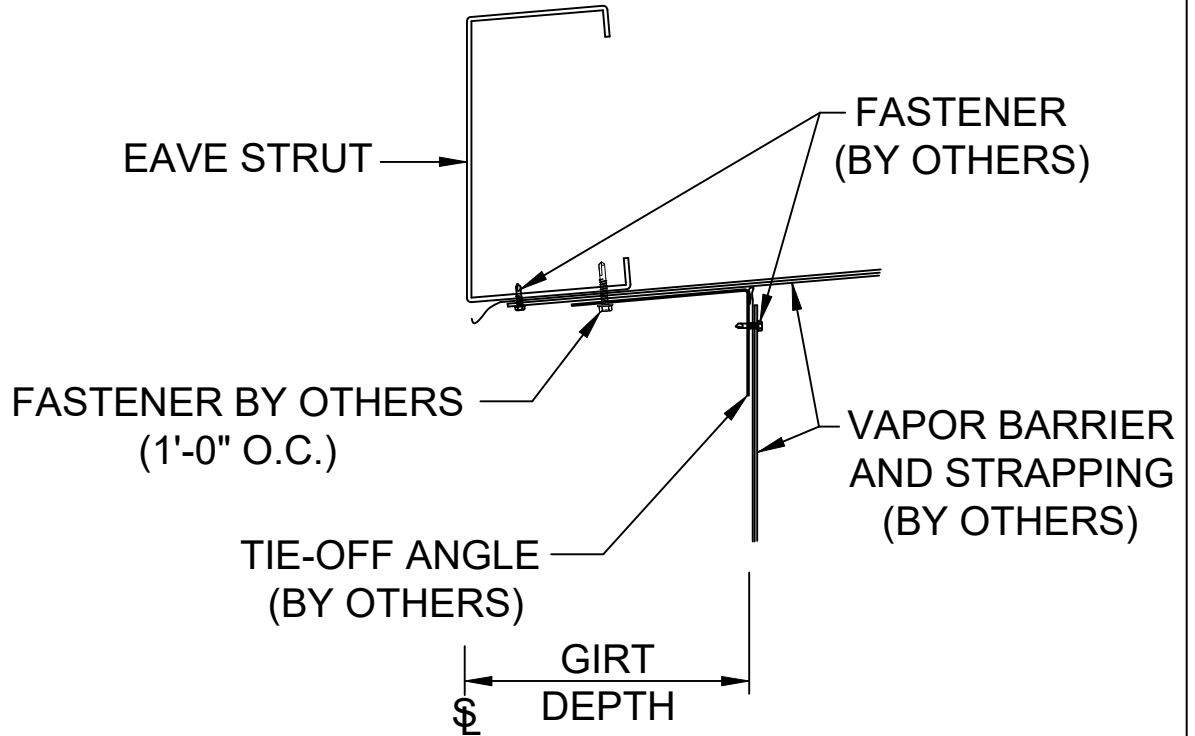
IO0011K

INSULATION VAPOR BARRIER ATTACHMENT AT BASE

WHEN KBS IS SUPPLYING THE TIE-OFF ANGLE:

		8" GIRTS	9 1/2" GIRTS	12" GIRTS
SLOPE	1:12	MAL08	MAL12	MAL15
	2:12	MAL09	MAL12	MAL16
	3:12	MAL10	MAL13	MAL17
	4:12	MAL11	MAL14	MAL18

REFER TO INSULATION SUPPLIER'S INSTRUCTIONS FOR PROPER INSTALLATION OF VAPOR BARRIER AND INSULATION.



IO0021K

INSULATION VAPOR BARRIER ATTACHMENT AT LOW EAVE

WHEN KBS IS SUPPLYING THE TIE-OFF ANGLE:

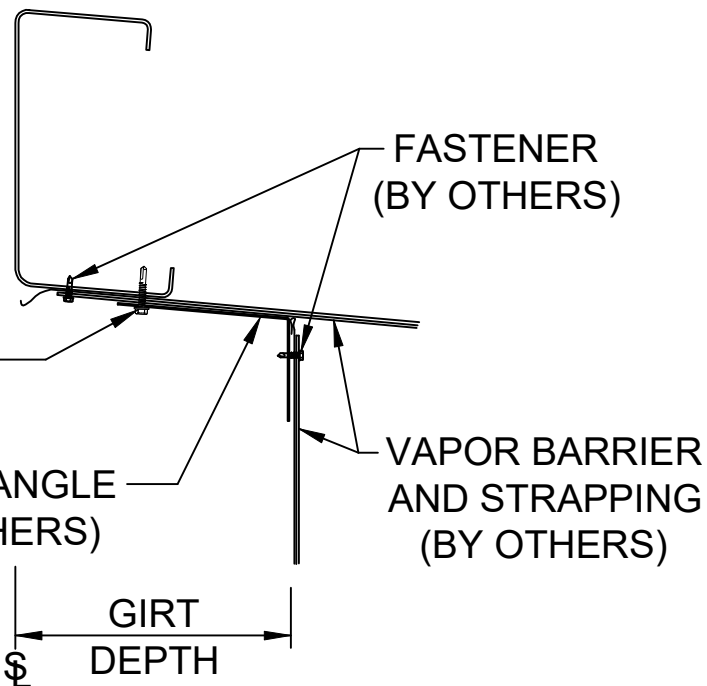
		8" GIRTS	9 1/2" GIRTS	12" GIRTS
SLOPE	1:12	MAL21	MAL21	MAL25
	2:12	MAL22	MAL22	MAL26
	3:12	MAL23	MAL23	MAL27
	4:12	MAL24	MAL24	MAL28

REFER TO INSULATION SUPPLIER'S INSTRUCTIONS FOR PROPER INSTALLATION OF VAPOR BARRIER AND INSULATION.

WHEN KBS IS SUPPLYING THE TIE-OFF ANGLE:

FASTENER BY OTHERS (1'-0" O.C.)

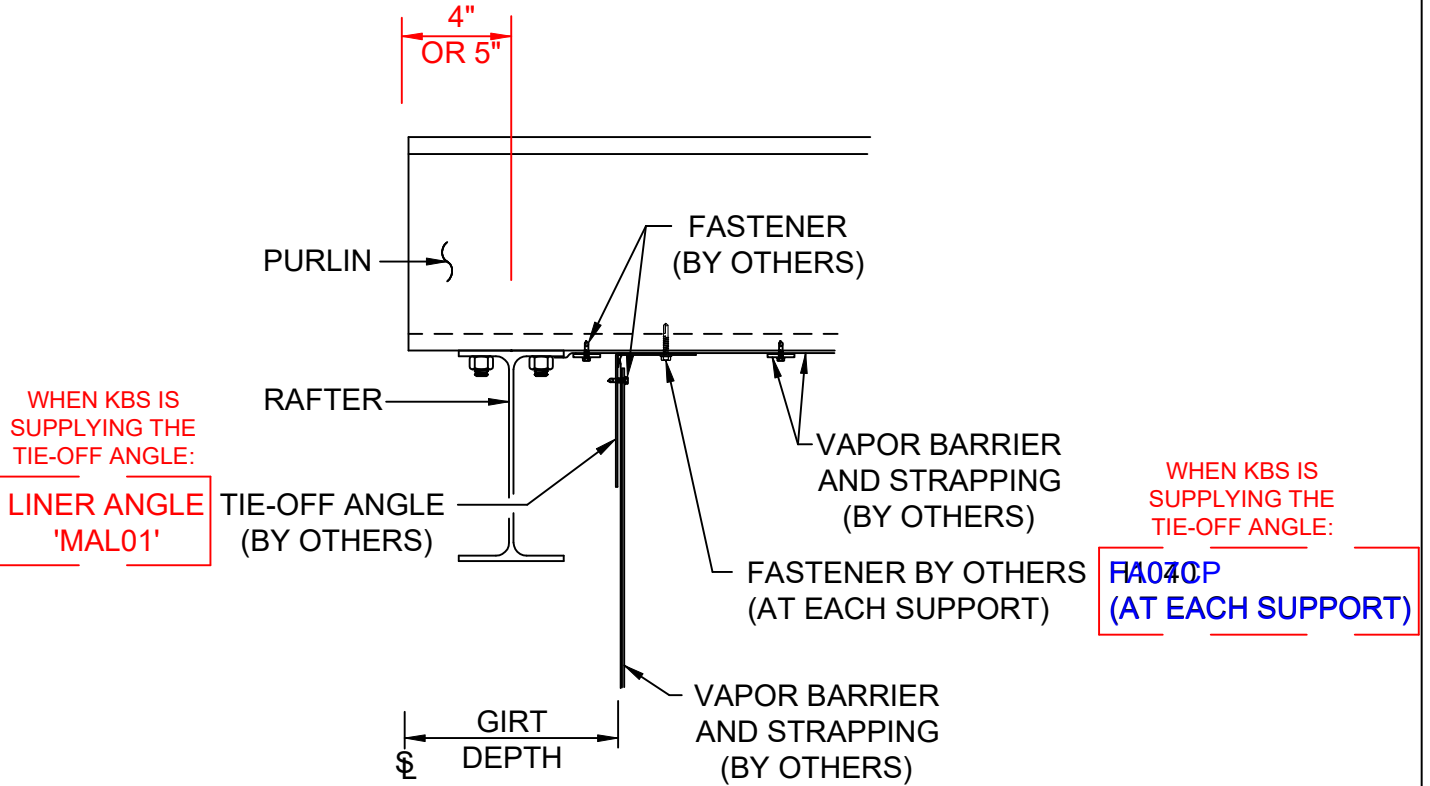
TIE-OFF ANGLE (MAL__)



IO0031K

INSULATION VAPOR BARRIER ATTACHMENT AT HIGH EAVE

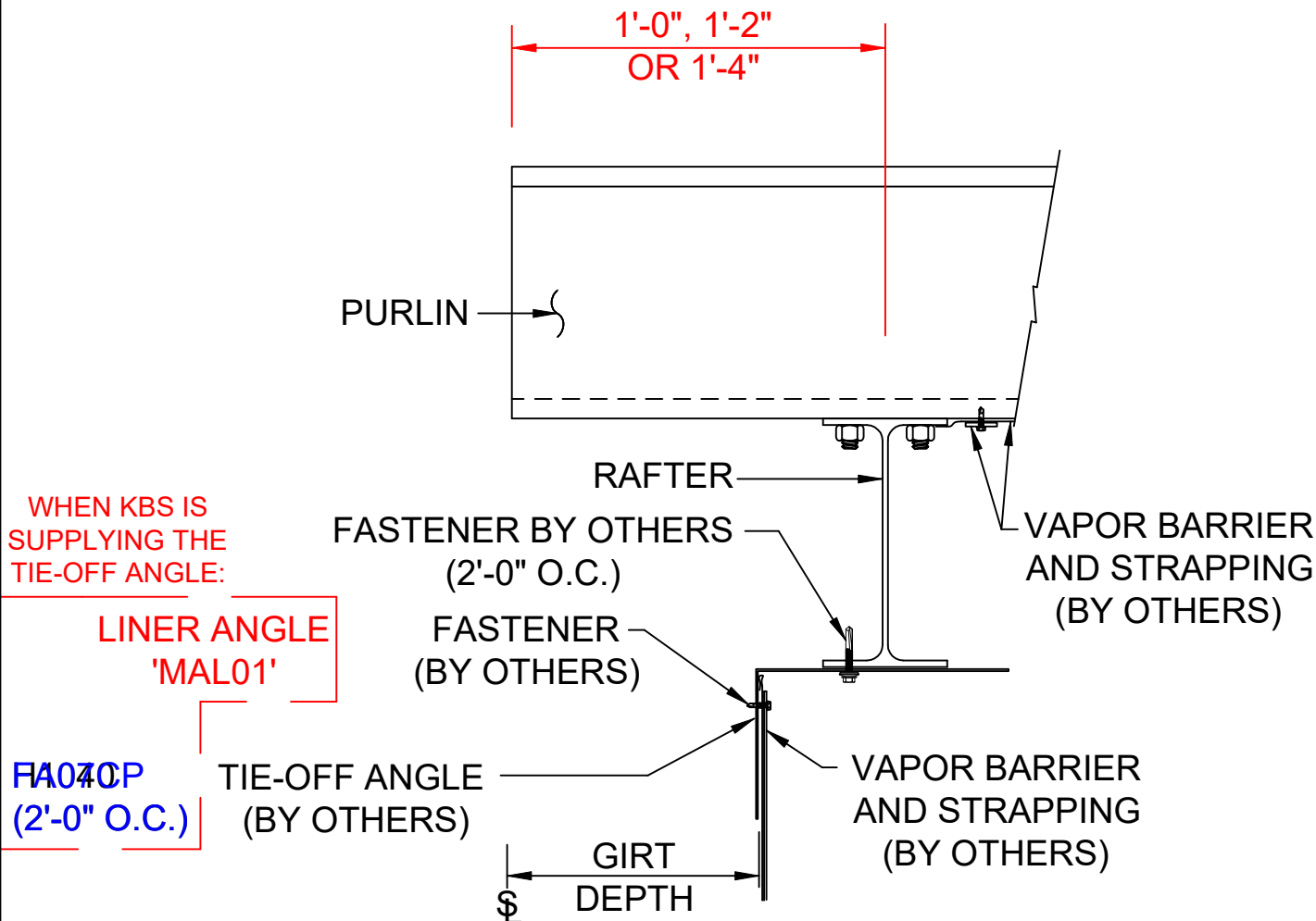
REFER TO INSULATION SUPPLIER'S INSTRUCTIONS FOR PROPER INSTALLATION OF VAPOR BARRIER AND INSULATION.



IO0041K

INSULATION VAPOR BARRIER ATTACHMENT AT RAKE

REFER TO INSULATION SUPPLIER'S INSTRUCTIONS FOR PROPER INSTALLATION OF VAPOR BARRIER AND INSULATION.



IO0043K

INSULATION VAPOR BARRIER ATTACHMENT AT RAKE