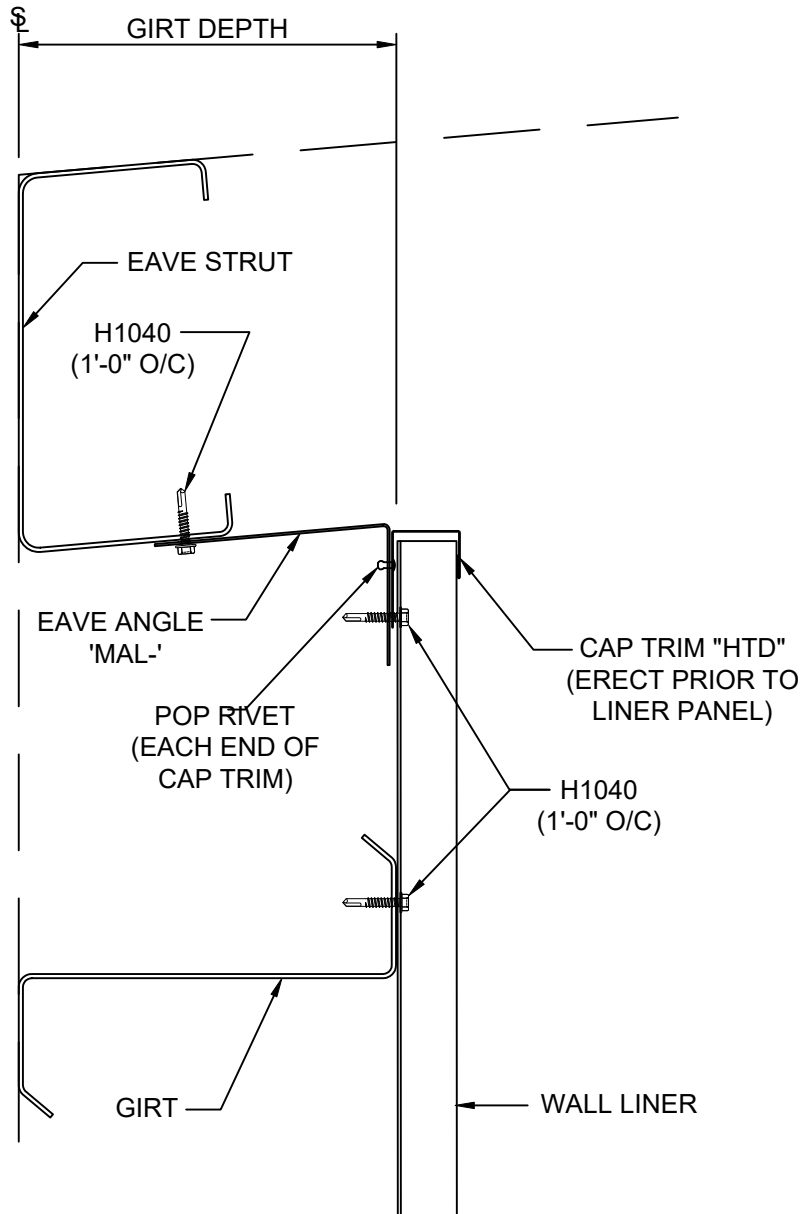
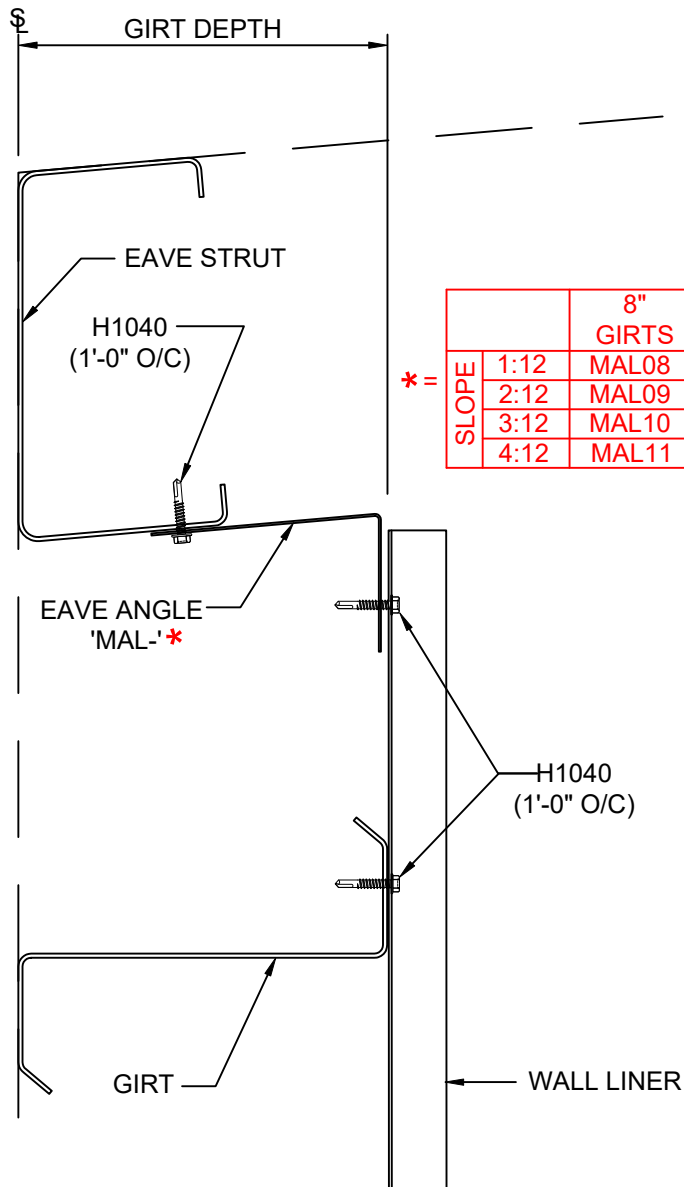


- ID0011- Low Eave w/o Ceiling Liner
 - ID0111 - Low Eave w/o Cap Trim
 - ID0051 - Low Eave w/o Wall Liner
 - ID0052 - Low Eave w/ Ceiling Liner
 - ID0061- High Eave w/o Ceiling Liner
 - ID0161 - High Eave w/o Cap Trim
 - ID0072- High Eave w/ Ceiling Liner
 - ID0081 - High Eave w/o Wall Liner
-



ID0011

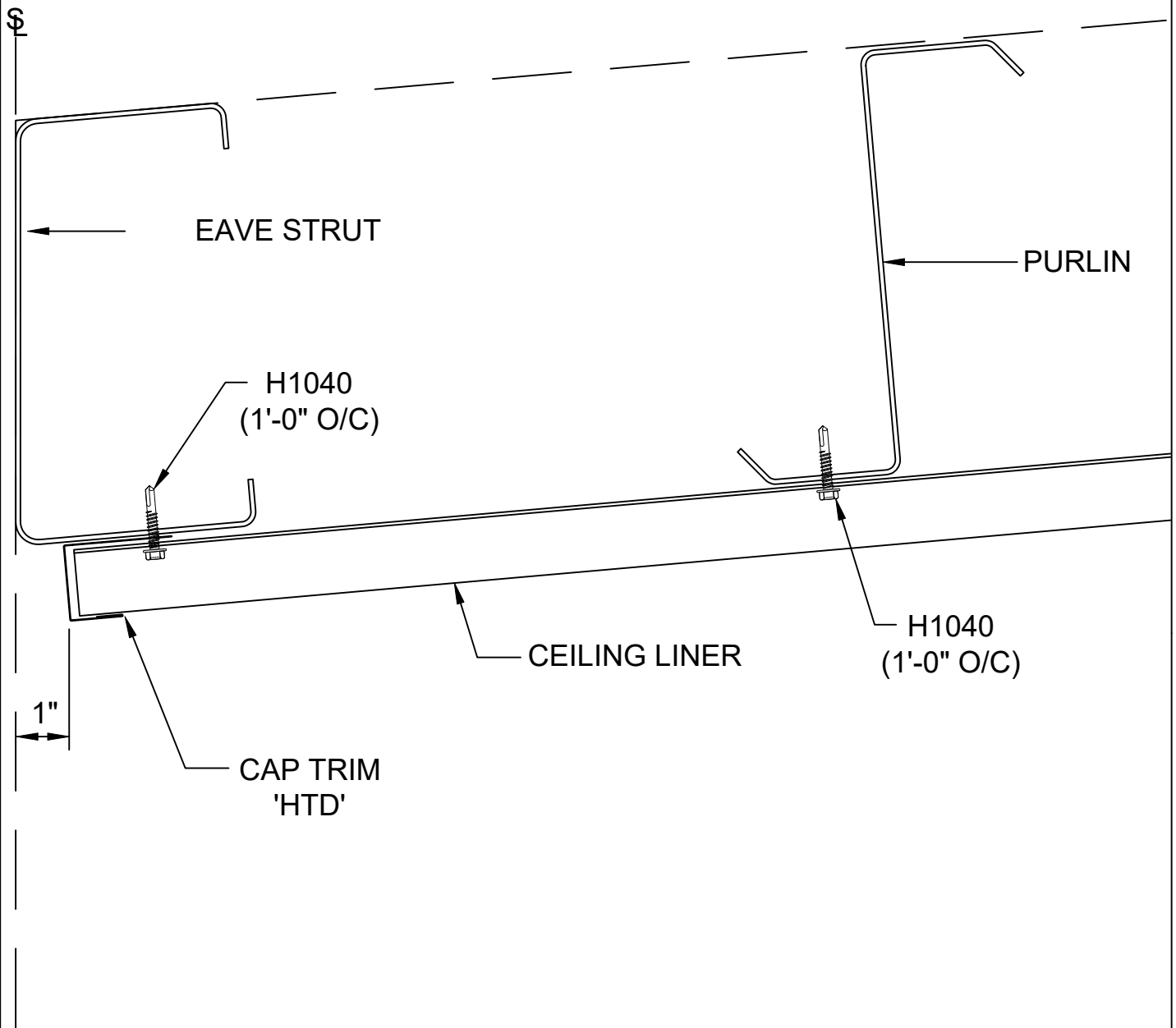
FULL HEIGHT WALL LINER, LOW EAVE
(SLOPES <= 4:12)



		8" GIRTS	9½" GIRTS	12" GIRTS
* = SLOPE	1:12	MAL08	MAL12	MAL15
	2:12	MAL09	MAL12	MAL16
	3:12	MAL10	MAL13	MAL17
	4:12	MAL11	MAL14	MAL18

ID0111K

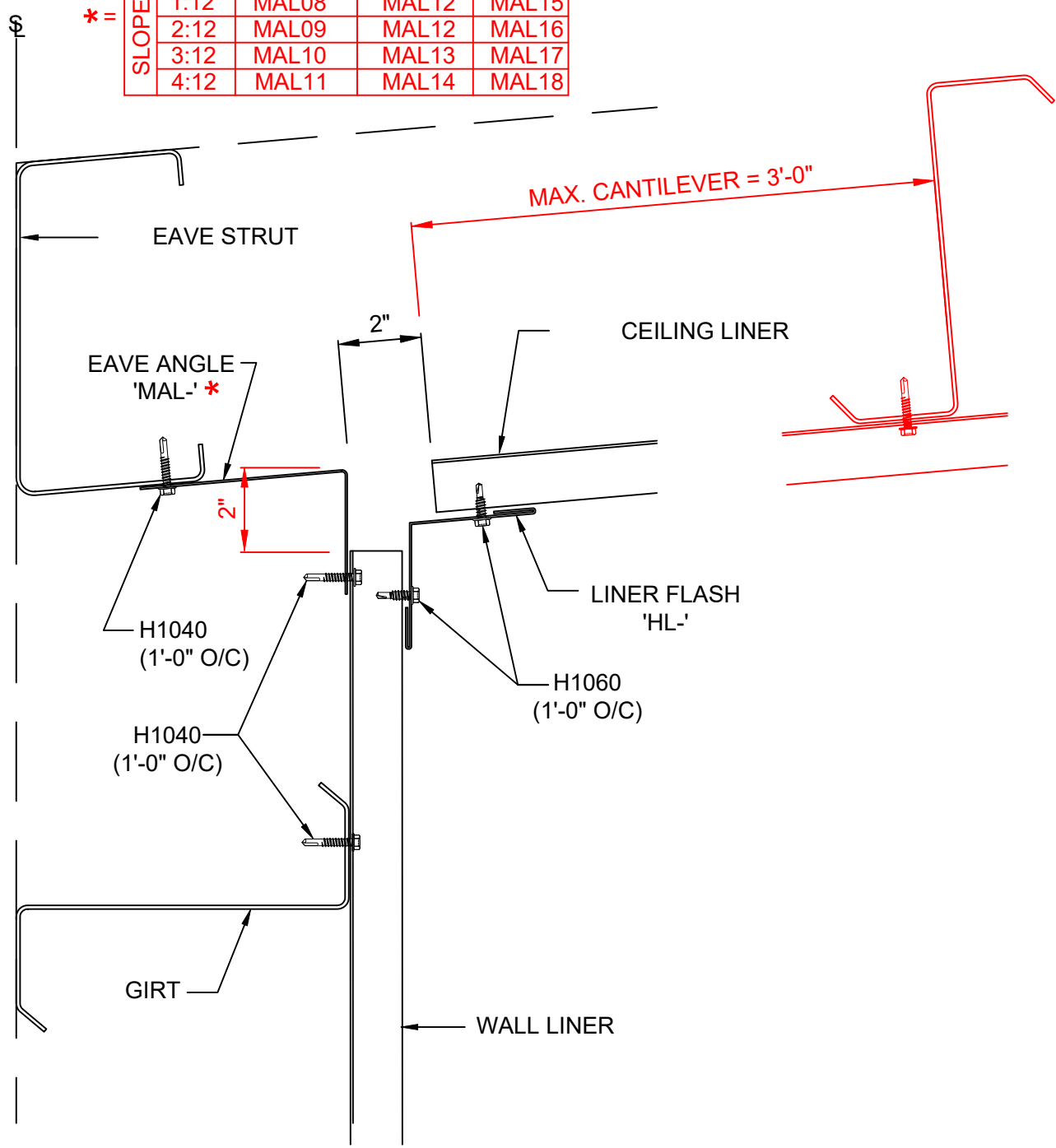
**FULL HEIGHT WALL LINER, LOW EAVE
w/o CAP TRIM
(SLOPES <= 4:12)**



ID0051K

CEILING LINER, LOW EAVE w/o WALL LINER

		8" GIRTS	9 1/2" GIRTS	12" GIRTS
* = SLOPE	1:12	MAL08	MAL12	MAL15
	2:12	MAL09	MAL12	MAL16
	3:12	MAL10	MAL13	MAL17
	4:12	MAL11	MAL14	MAL18



ID0052K

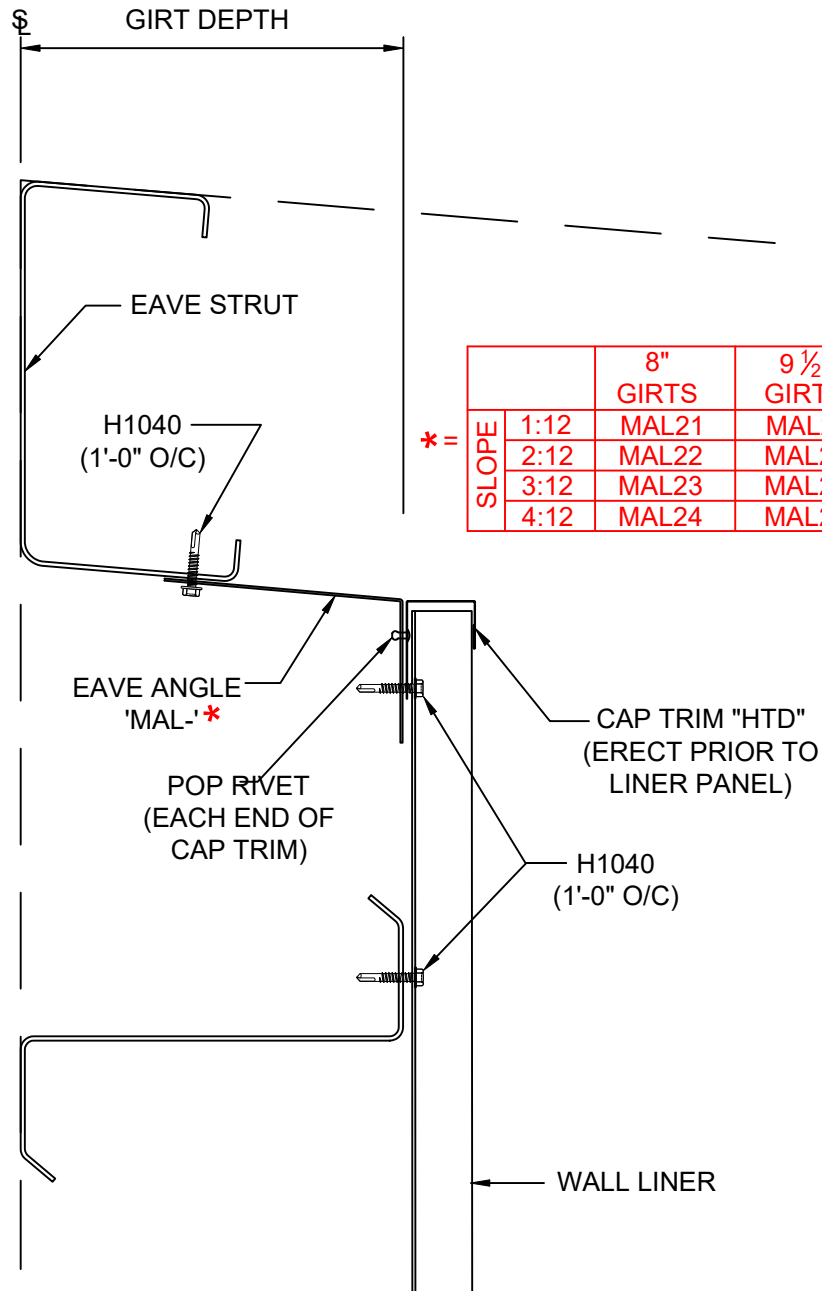
**FULL HEIGHT WALL LINER,
LOW EAVE w/ CEILING LINER**



PREPARED BY: BKC

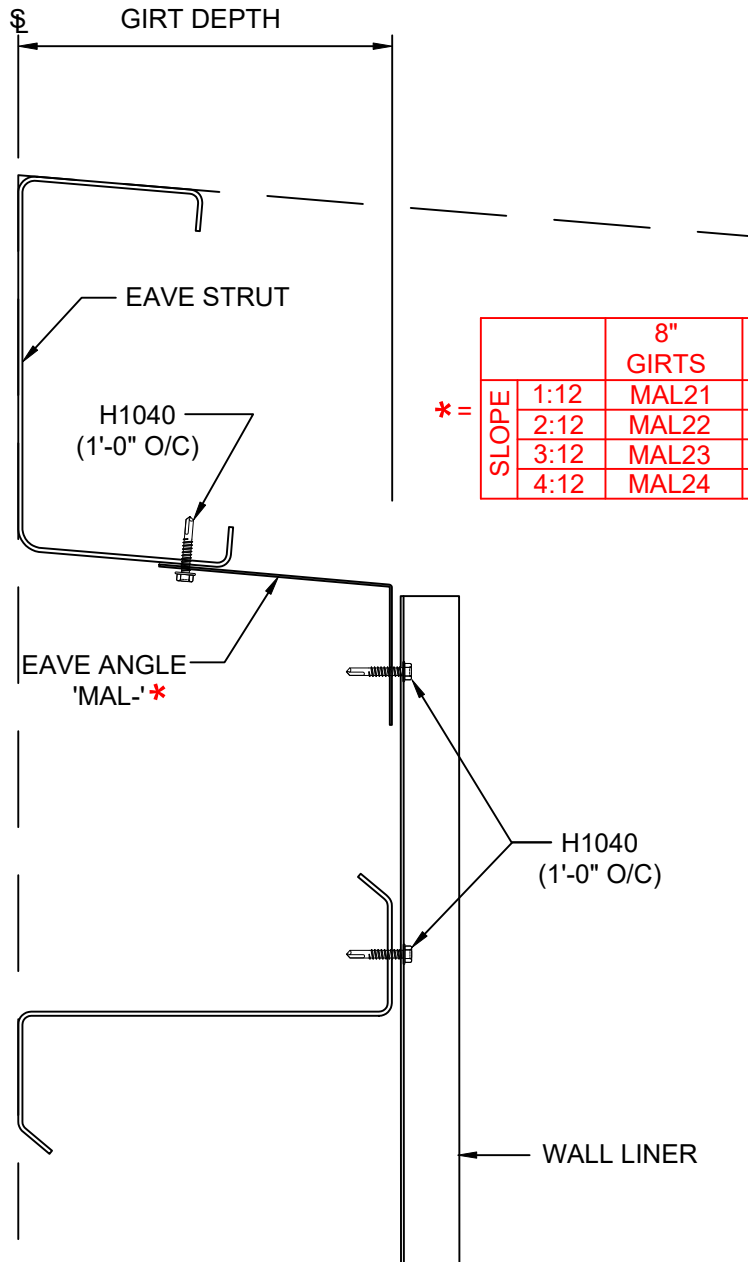
DATE: 4-22-20

ID0052



ID0061K

FULL HEIGHT WALL LINER, HIGH EAVE
(SLOPES <= 4:12)

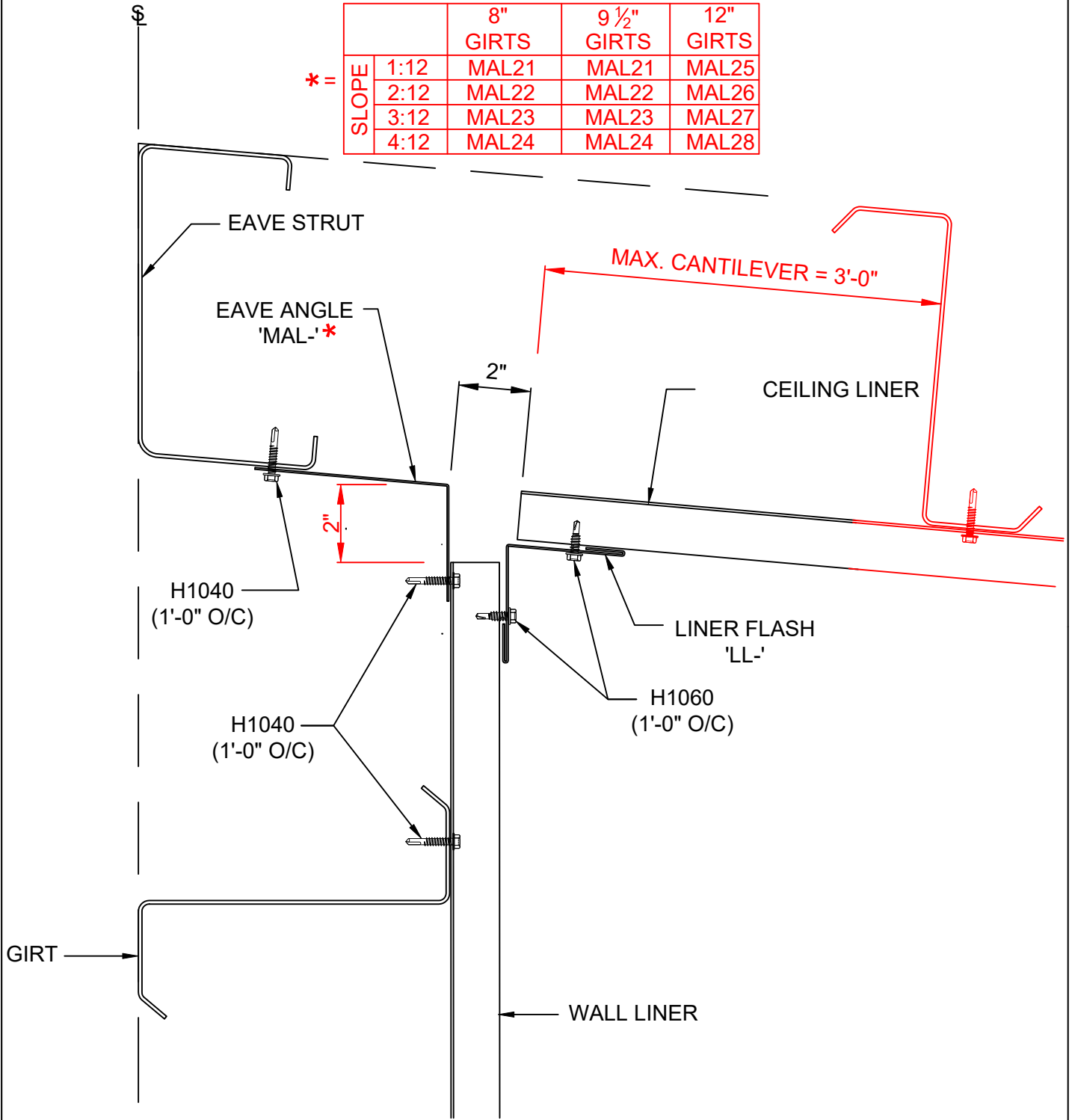


		8" GIRTS	9 1/2" GIRTS	12" GIRTS
* = SLOPE	1:12	MAL21	MAL21	MAL25
	2:12	MAL22	MAL22	MAL26
	3:12	MAL23	MAL23	MAL27
	4:12	MAL24	MAL24	MAL28

ID0161K

**FULL HEIGHT WALL LINER, HIGH EAVE
w/o CAP TRIM
(SLOPES <= 4:12)**

* =		8"	9 1/2"	12"
		GIRTS	GIRTS	GIRTS
SLOPE	1:12	MAL21	MAL21	MAL25
	2:12	MAL22	MAL22	MAL26
	3:12	MAL23	MAL23	MAL27
	4:12	MAL24	MAL24	MAL28



ID0072K

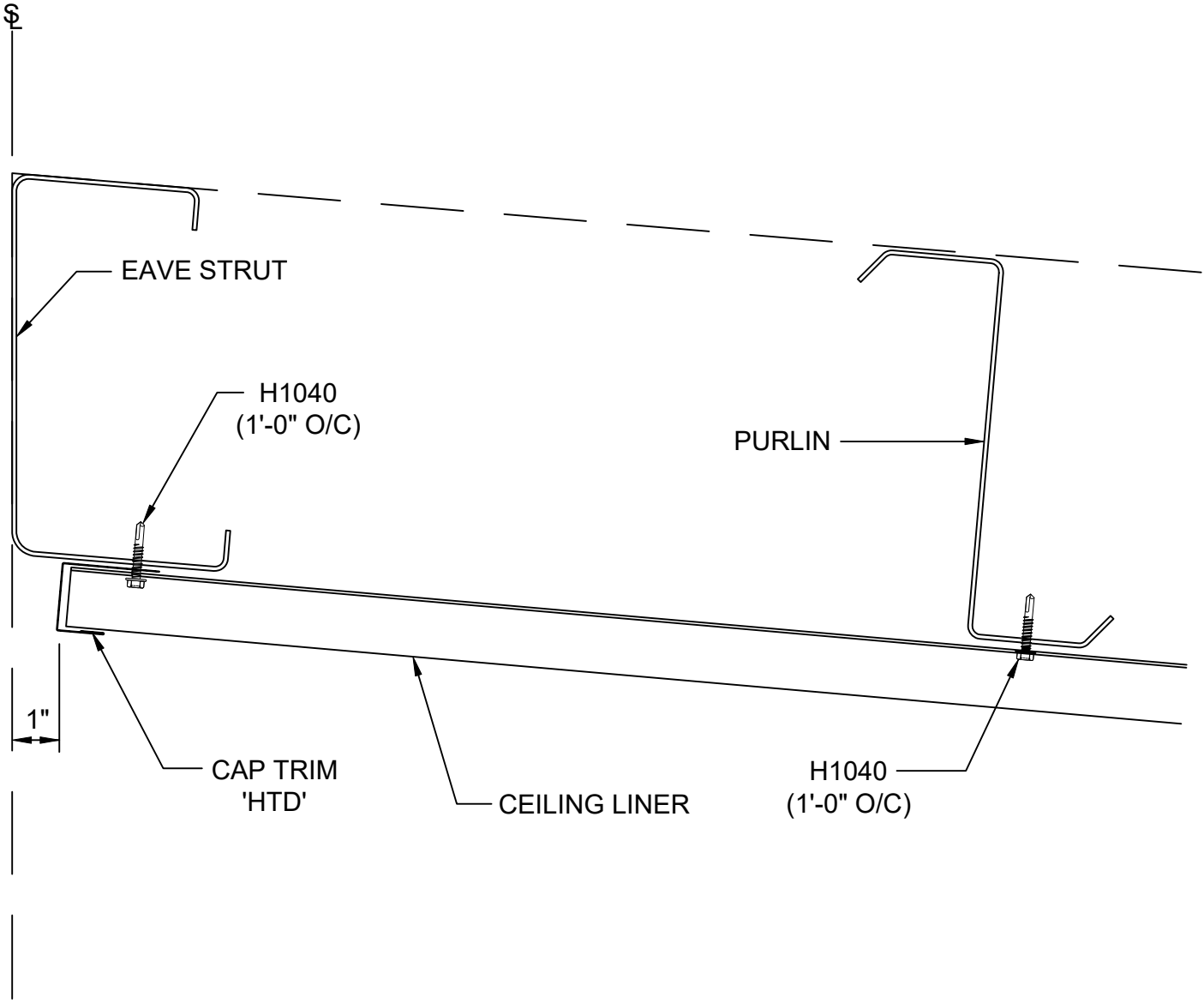
**FULL HEIGHT WALL LINER,
HIGH EAVE w/ CEILING LINER**



PREPARED BY: BKC

DATE: 4-22-20

ID0072



ID0081K

CEILING LINER, HIGH EAVE w/o WALL LINER



**KIRBY
BUILDING
SYSTEMS**

A NUGOR COMPANY

BETTER SOLUTIONS. BETTER BUILDINGS.

PREPARED BY: BKC

DATE: 4-22-20

ID0081