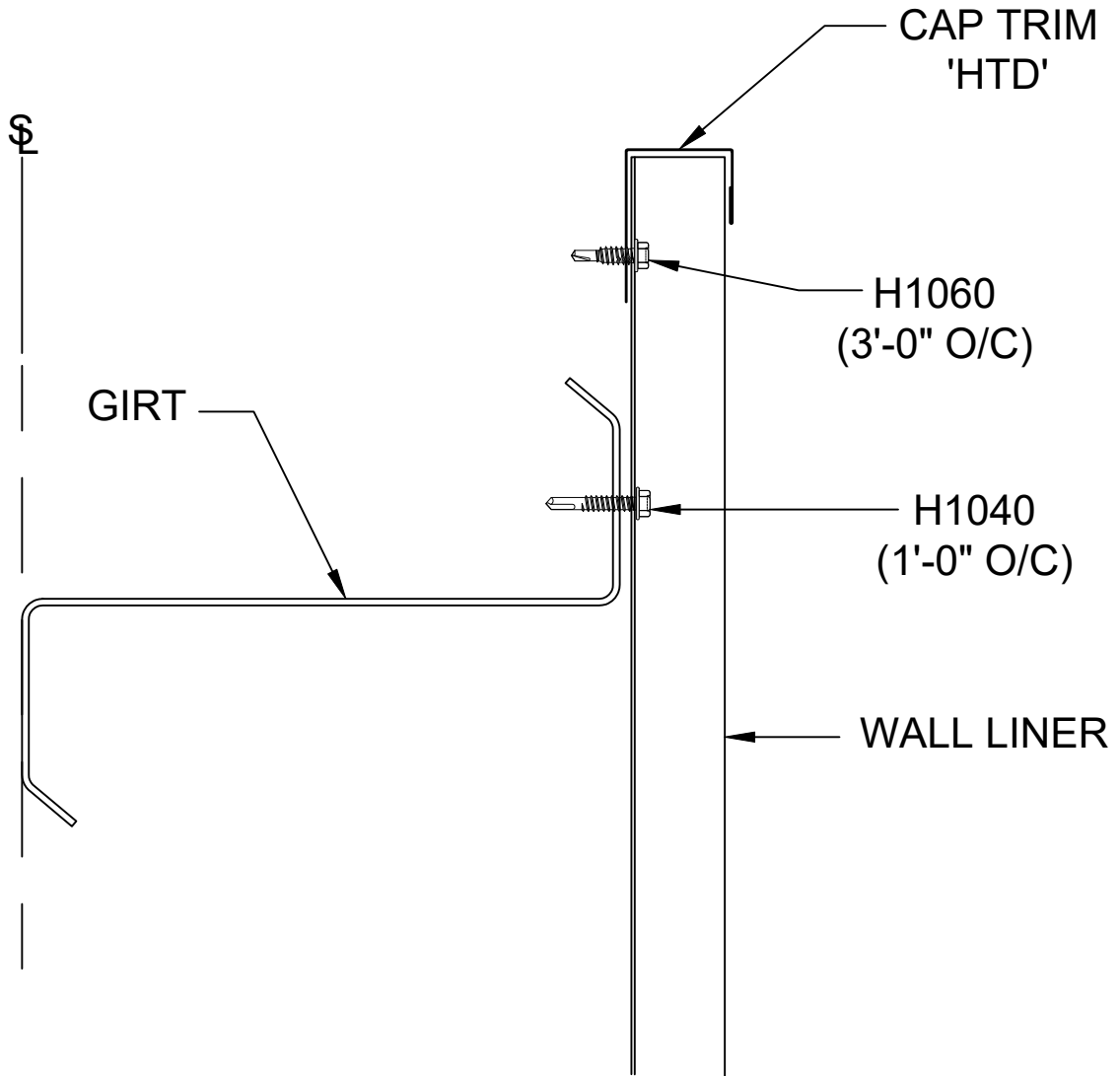


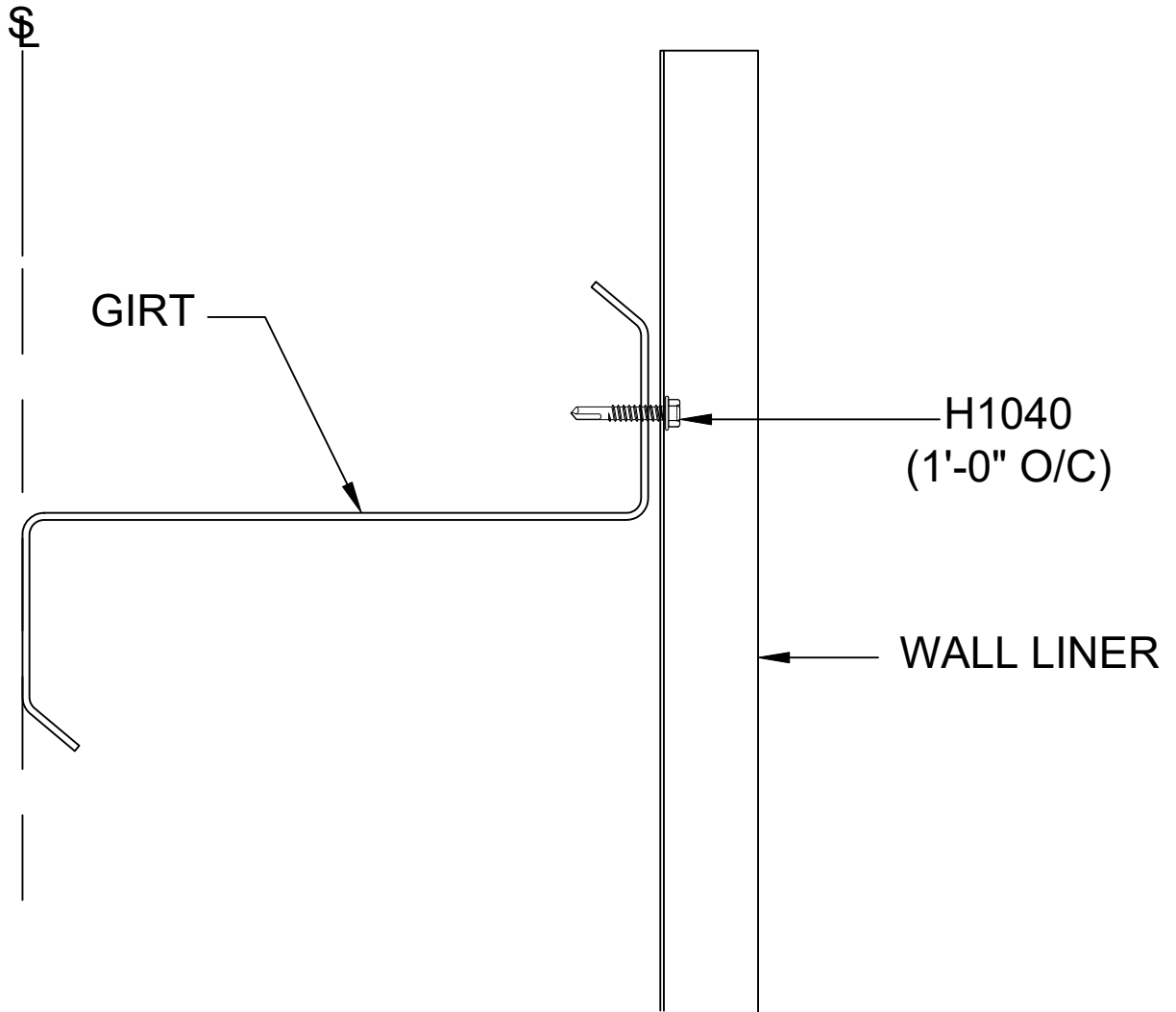
IB0001 - Part. Hgt. Liner w/ Cap Trim

IB0101 - Part. Hgt. Liner w/o Cap Trim



IB0001K

CAP TRIM AT PARTIAL
HEIGHT WALL LINER



IB0101K

**PARTIAL HEIGHT WALL LINER
w/o CAP TRIM**