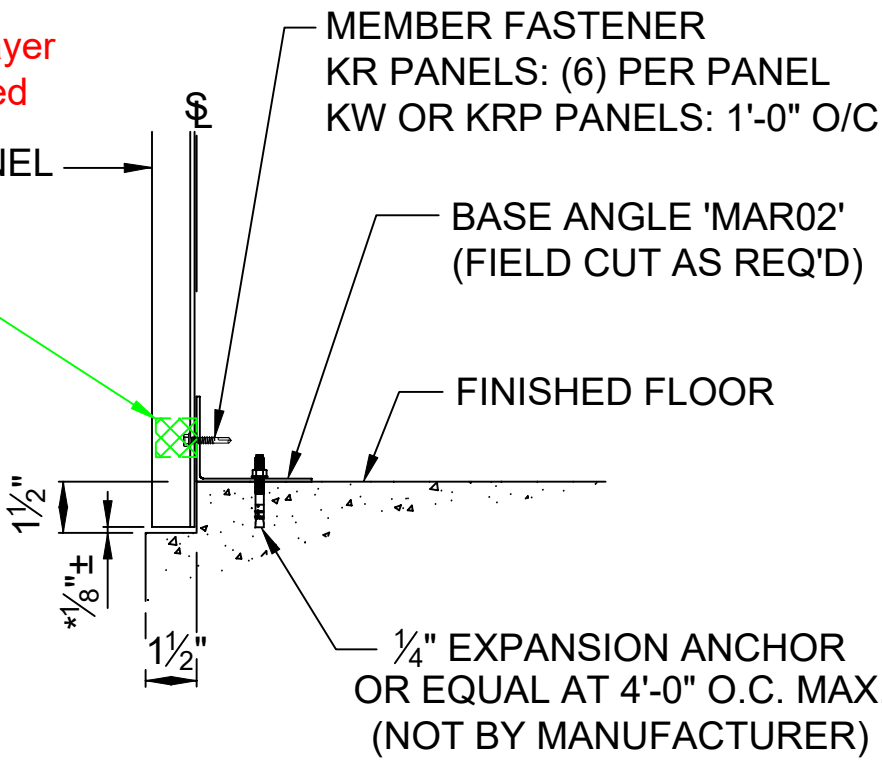


- GB0001 - Conc. Notch w/ Base Angle
 - GB0002 - Conc. Notch w/ Base Channel
 - GB0003 - Flush Conc. w/ Base Angle
 - GB0004 - Flusf Conc. w/ Base Channel
 - GB0010 - Base Angle Trim Detail
 - GB0020 - Base Angle w/ Base Flash
 - GB0021 - Base Channel w/ Base Flash
 - GB0030 - BSB01 w/ Base Channel
 - GB0160 - Base at Masonry Wall
-

Turn off "Base Closures" layer if closures are not supplied

INSIDE FOAM CLOSURE
KW PANEL: 'H3431'
KR PANEL: 'H3440'
KRP PANEL: 'H3400'



*NOTE: HOLD 1/8"± GAP BETWEEN BASE OF PANEL & CONCRETE

GB0001K

CONCRETE NOTCH W/ BASE ANGLE



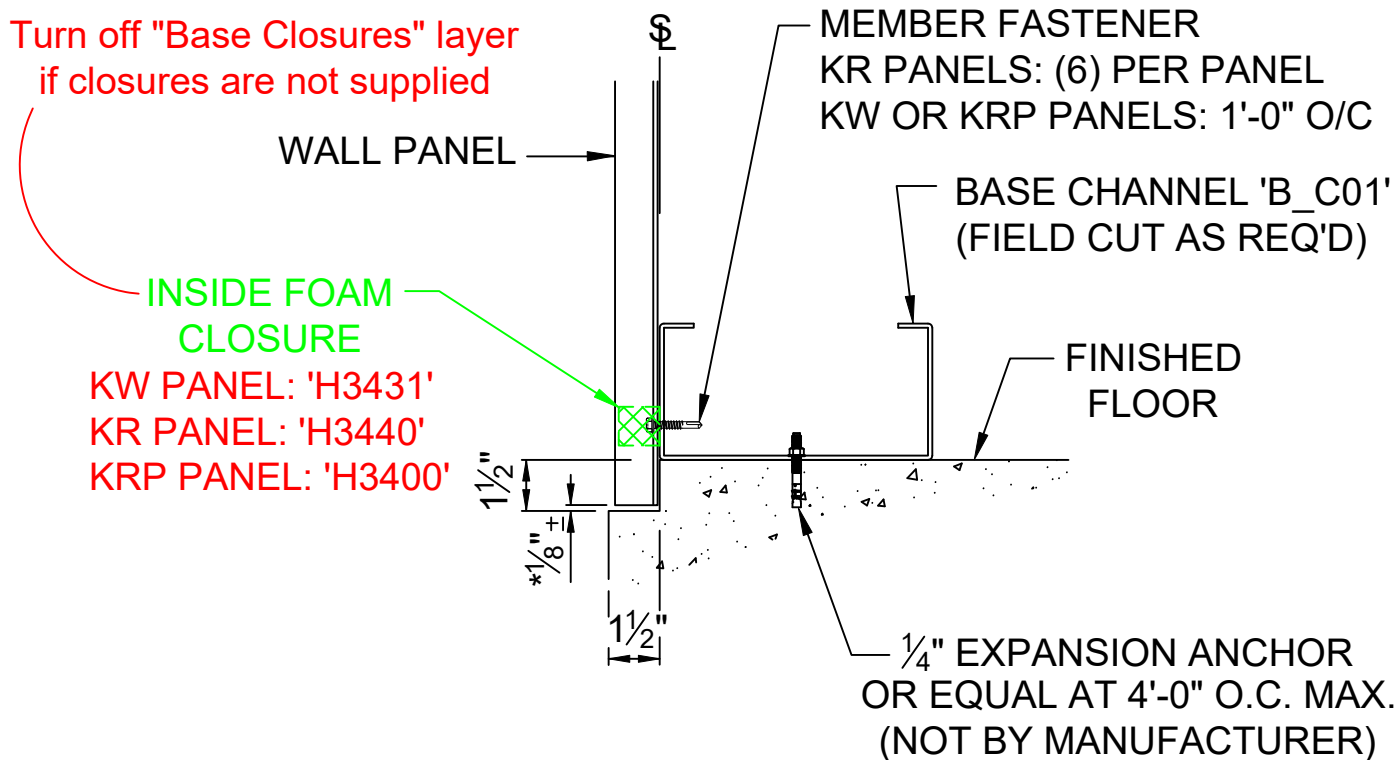
PREPARED BY: BKC

DATE: 4-21-20

GB0001

USE TCP 5 FASTENERS FOR
STRUCT. MEMBERS

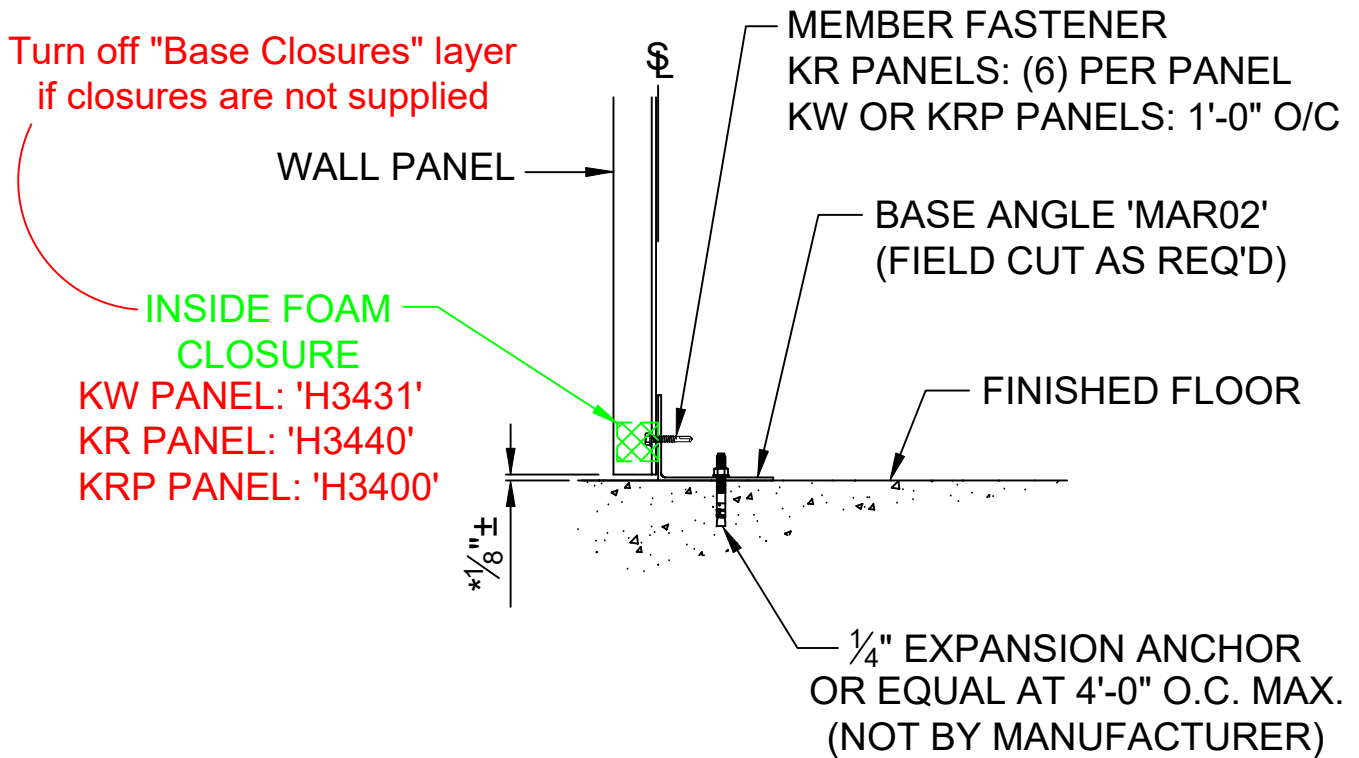
Turn off "Base Closures" layer
if closures are not supplied



*NOTE: ALLOW 1/8"± GAP BETWEEN BASE
OF PANEL AND CONCRETE.

GB0002K

CONCRETE NOTCH W/ BASE CHANNEL



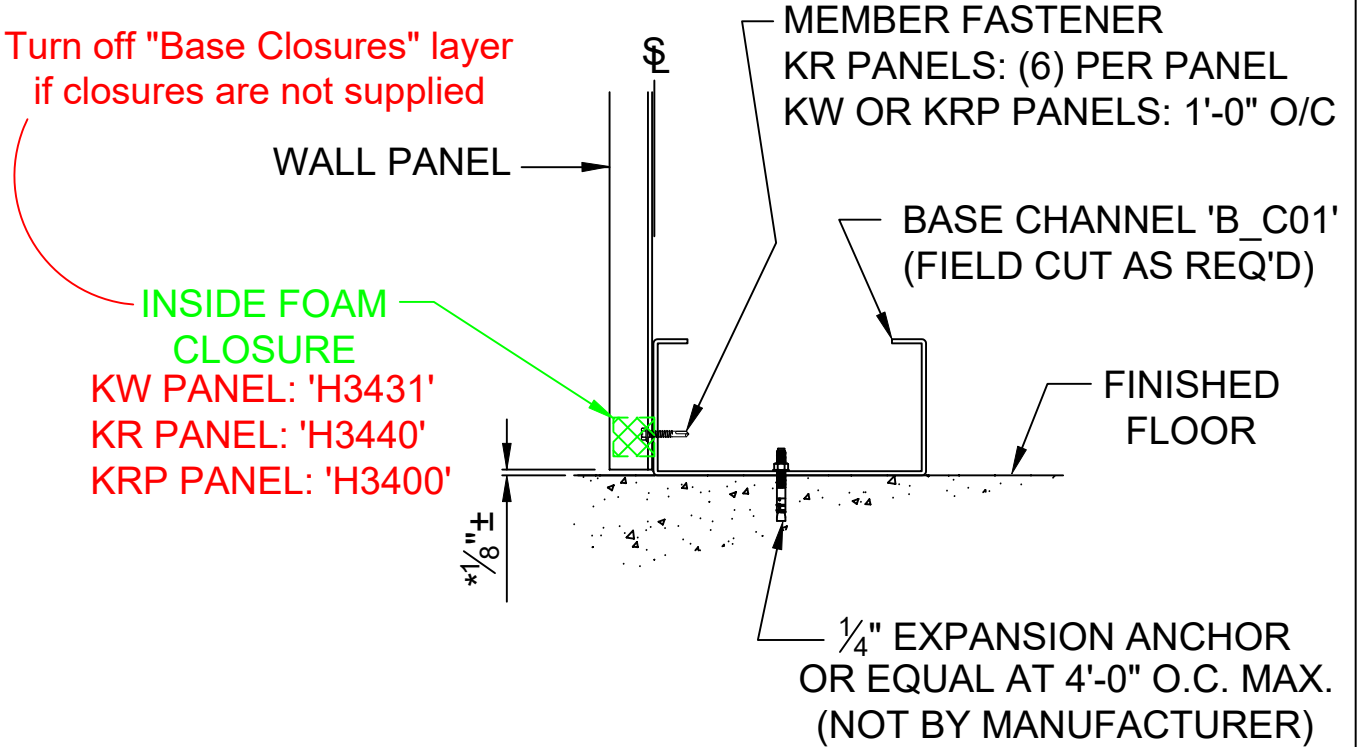
*NOTE: HOLD 1/8"± GAP BETWEEN BASE OF PANEL & CONCRETE

GB0003K

FLUSH CONCRETE w/ BASE ANGLE

USE TCP 5 FASTENERS FOR
STRUCT. MEMBERS

Turn off "Base Closures" layer
if closures are not supplied

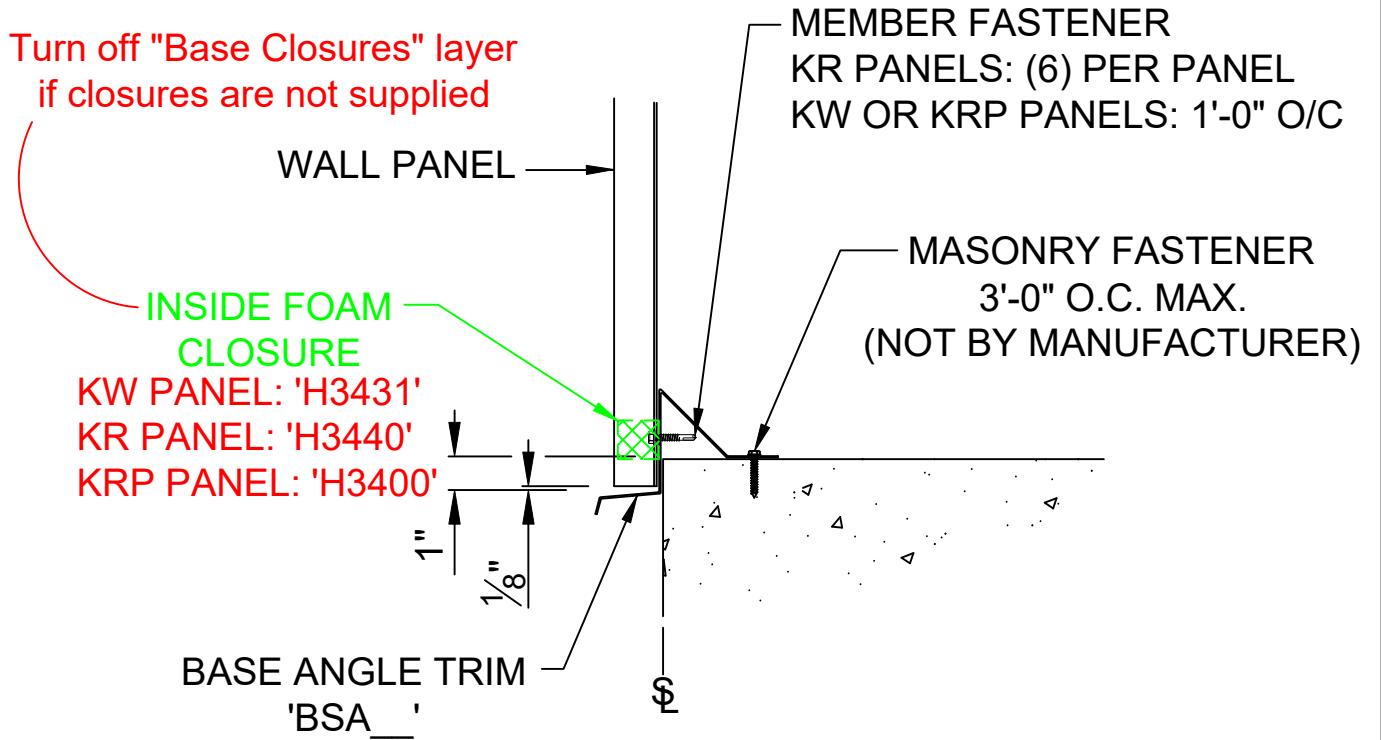


INSIDE FOAM
CLOSURE
KW PANEL: 'H3431'
KR PANEL: 'H3440'
KRP PANEL: 'H3400'

*NOTE: HOLD $\frac{1}{8}'' \pm$ GAP BETWEEN BASE OF
PANEL & CONCRETE

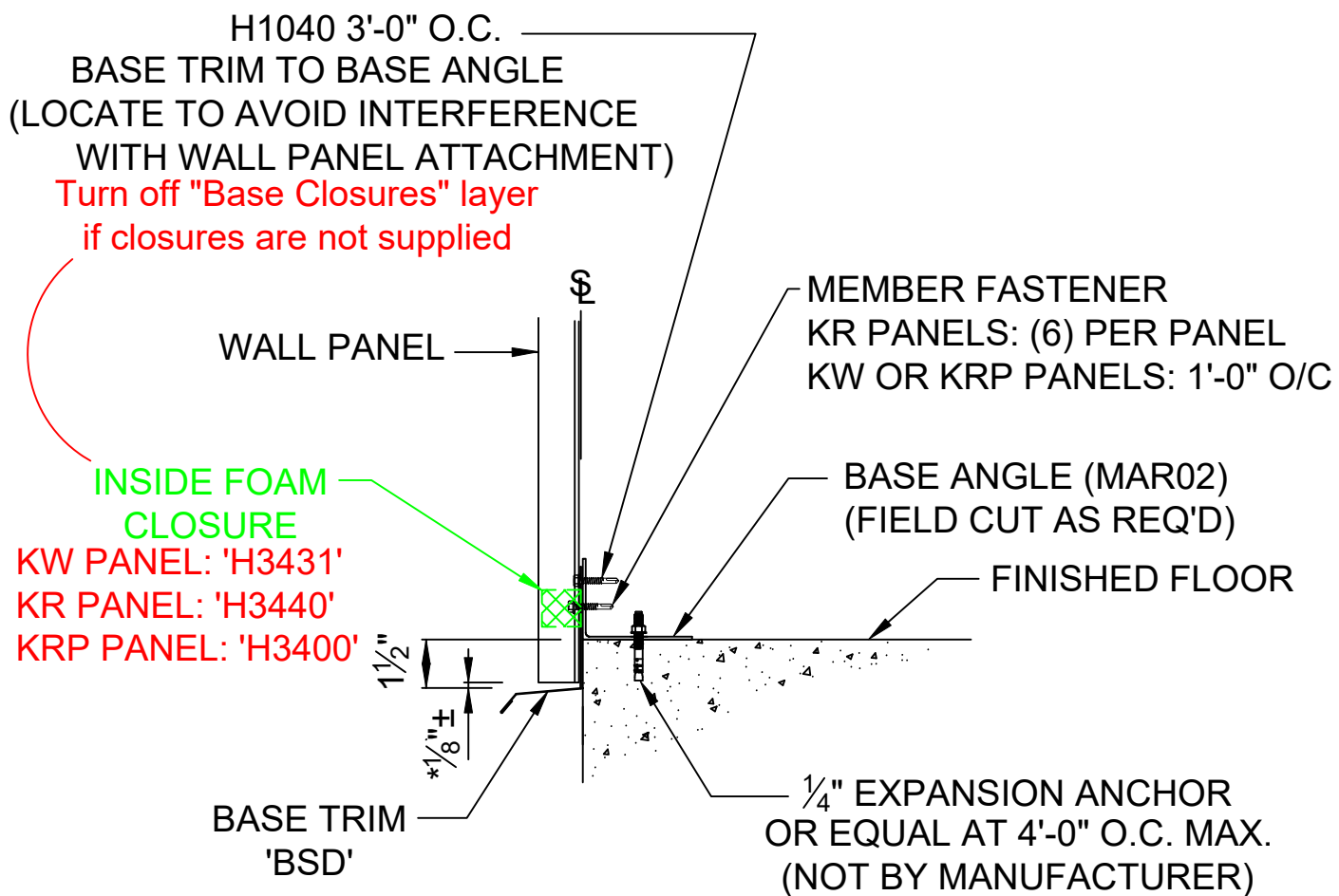
GB0004K

FLUSH CONCRETE w/ BASE CHANNEL



GB0010K

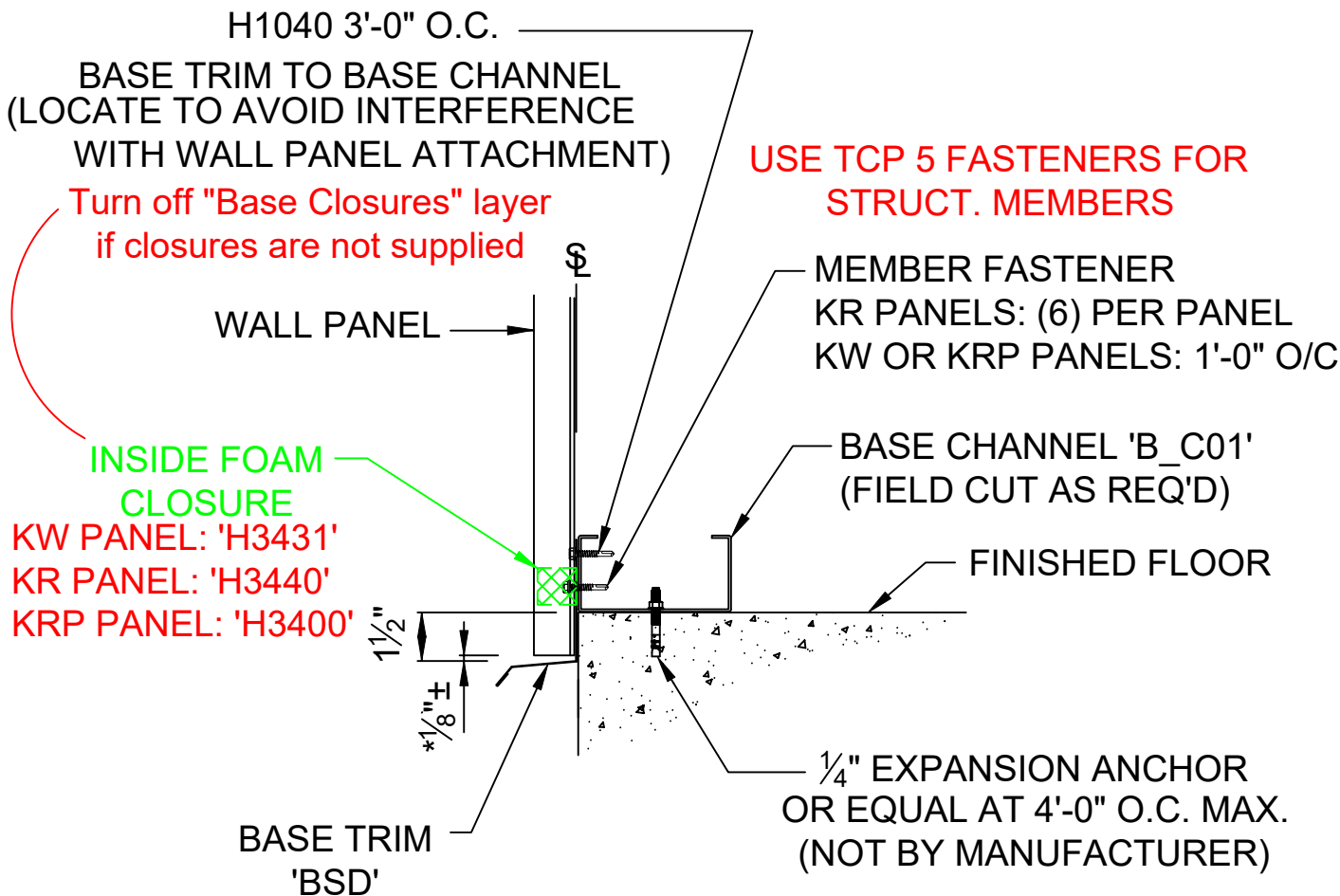
BASE ANGLE TRIM DETAIL



*NOTE: HOLD 1/8"± GAP BETWEEN BASE OF
 PANEL & BASE FLASH

GB0020K

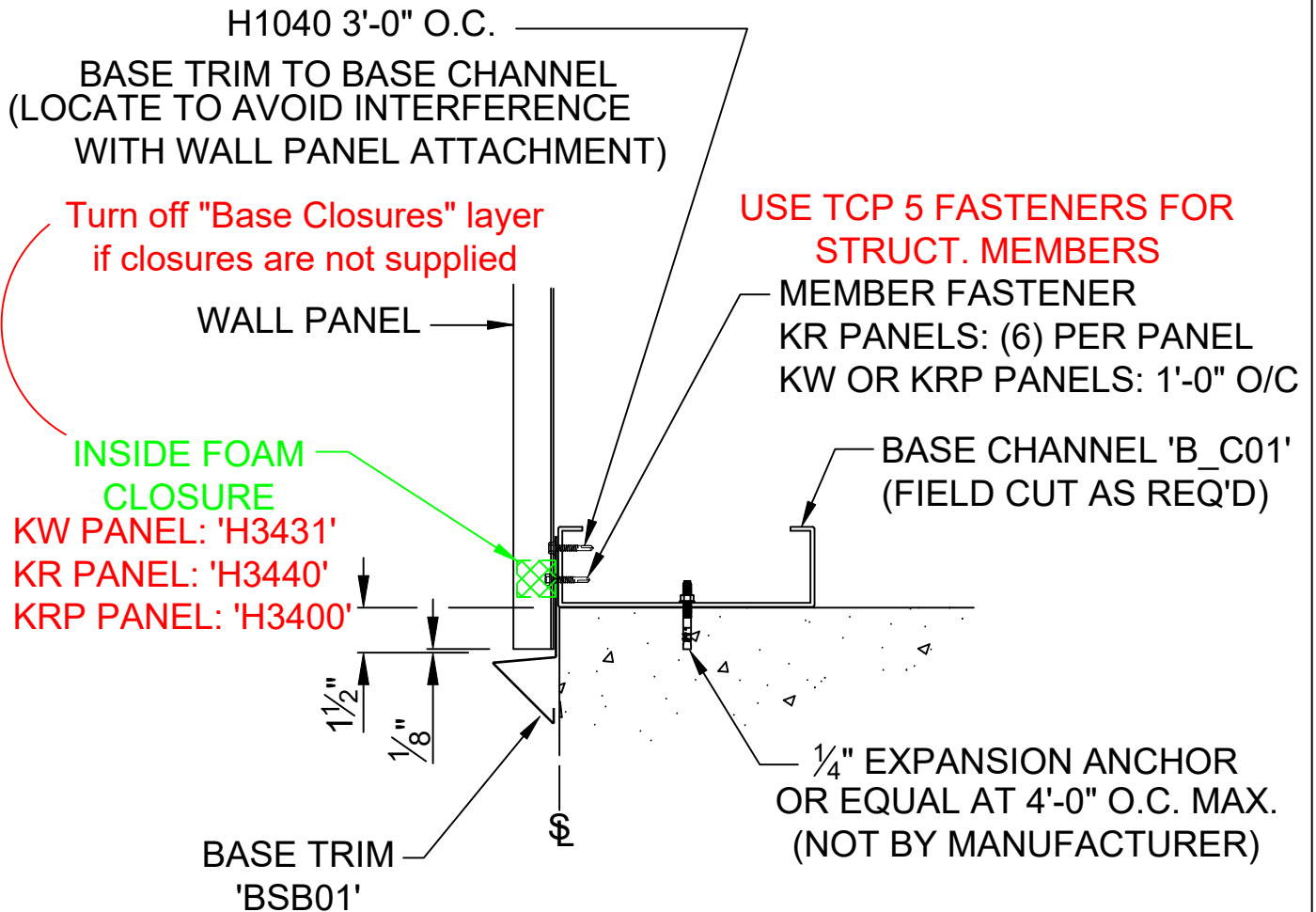
BASE w/ BASE ANGLE AND BASE FLASH



*NOTE: HOLD 1/8" ± GAP BETWEEN BASE OF
PANEL & BASE FLASH

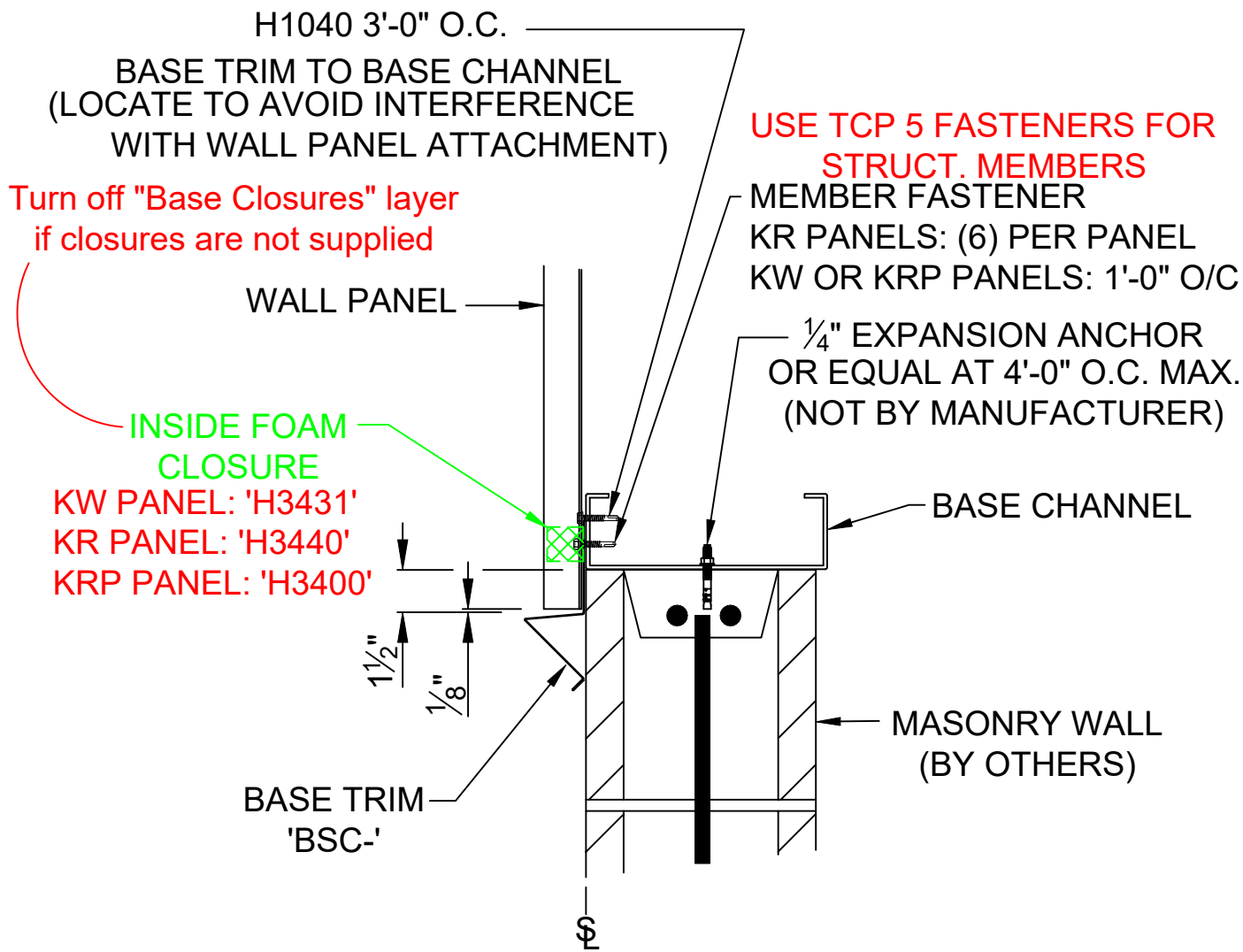
GB0021K

BASE w/ BASE FLASH AND BASE CHANNEL



GB0030K

BASE TRIM DETAIL



GB0160K

BASE DETAIL AT MASONRY WALL