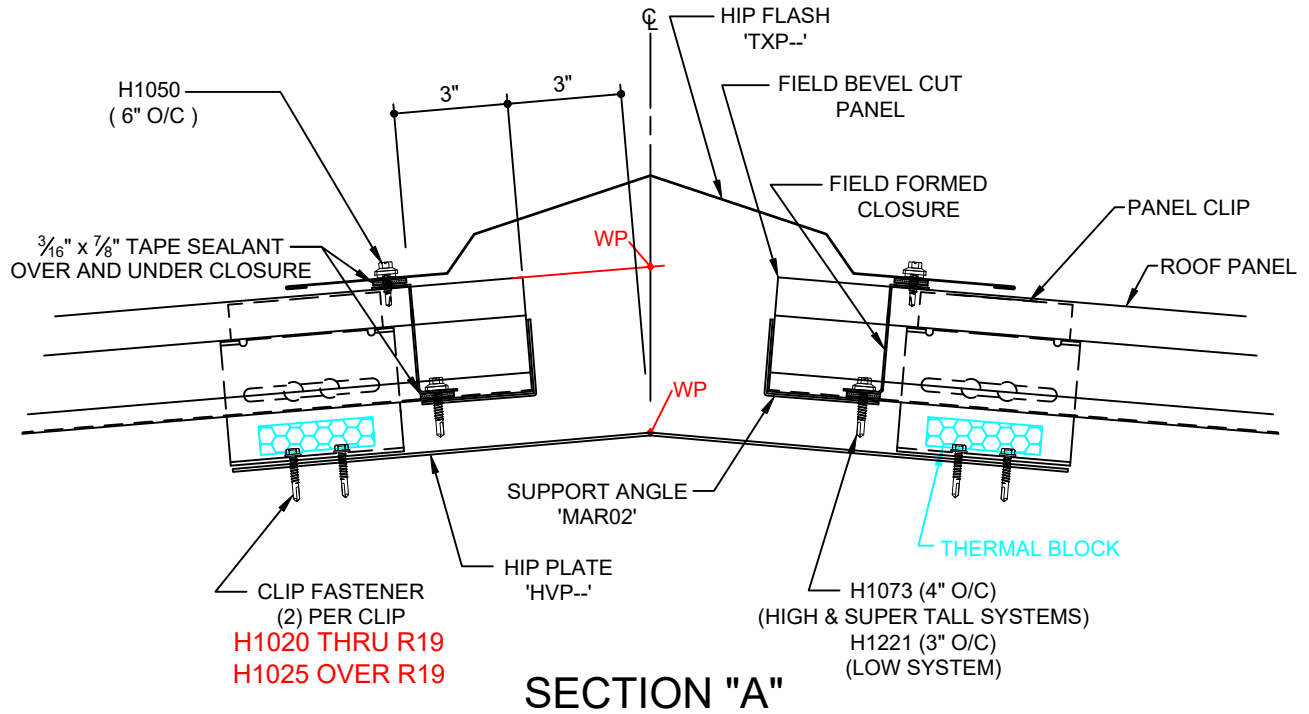


EP8021 - SS360 Hip Installation

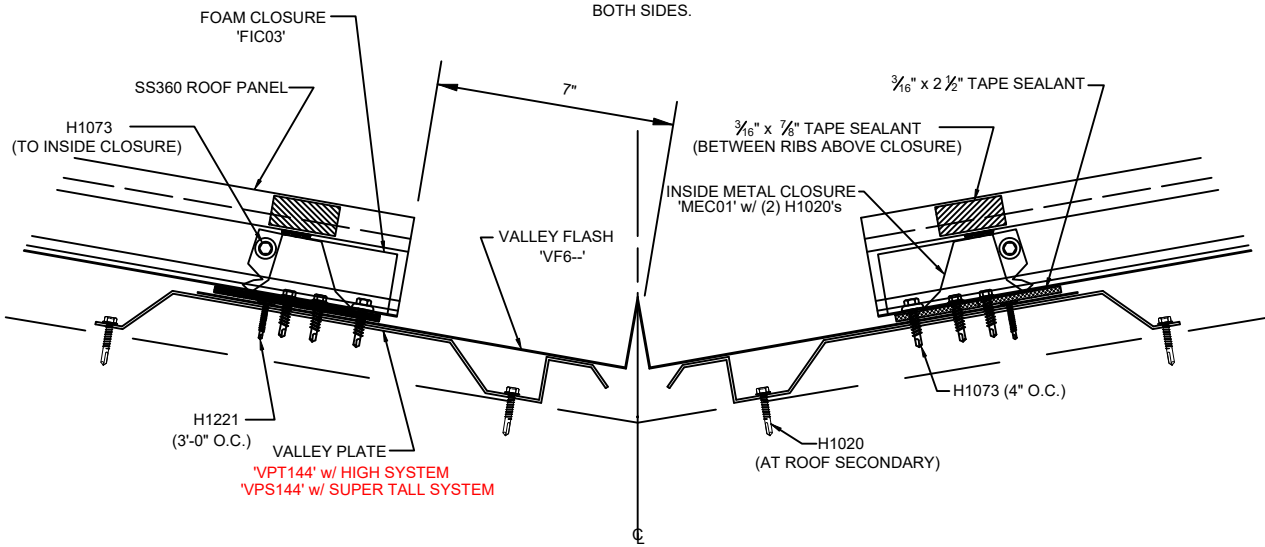
EP8041 - SS360 Valley Installation

NOTE:
DETAIL IS SYMMETRICAL
ABOUT THE CENTERLINE



DRAWING WILL INSERT AS FULL SIZE 'E' DRAWING

NOTE: VALLEY DETAIL IS SYMMETRICAL ABOUT THE CENTERLINE - PARTS AND FASTENERS SHOWN ARE TYPICAL BOTH SIDES.



EP8041K

SS360 VALLEY INSTALLATION

DO NOT USE DETAIL w/ LOW SYSTEMS

DRAWING WILL INSERT AS FULL SIZE 'E' DRAWING