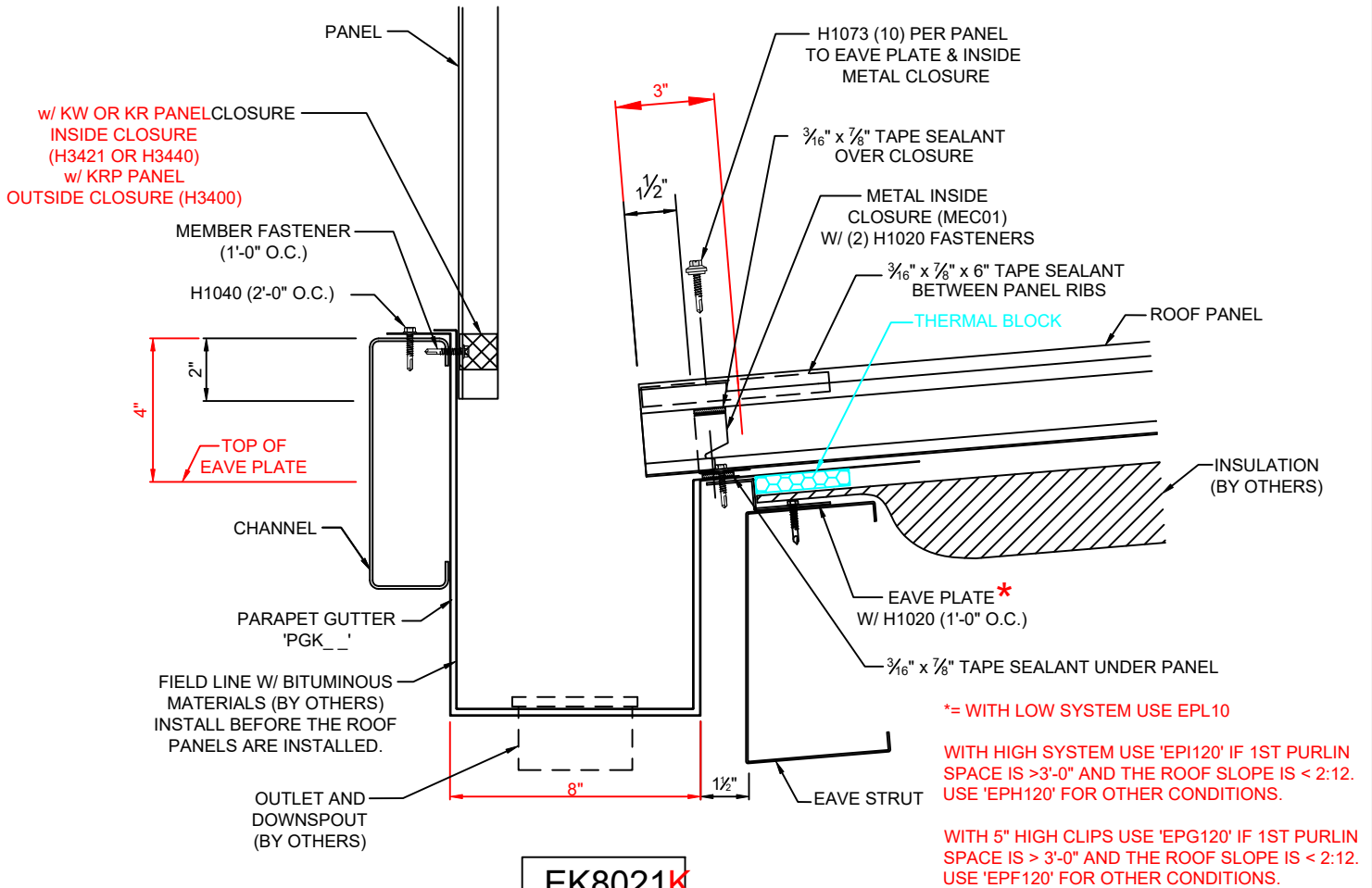
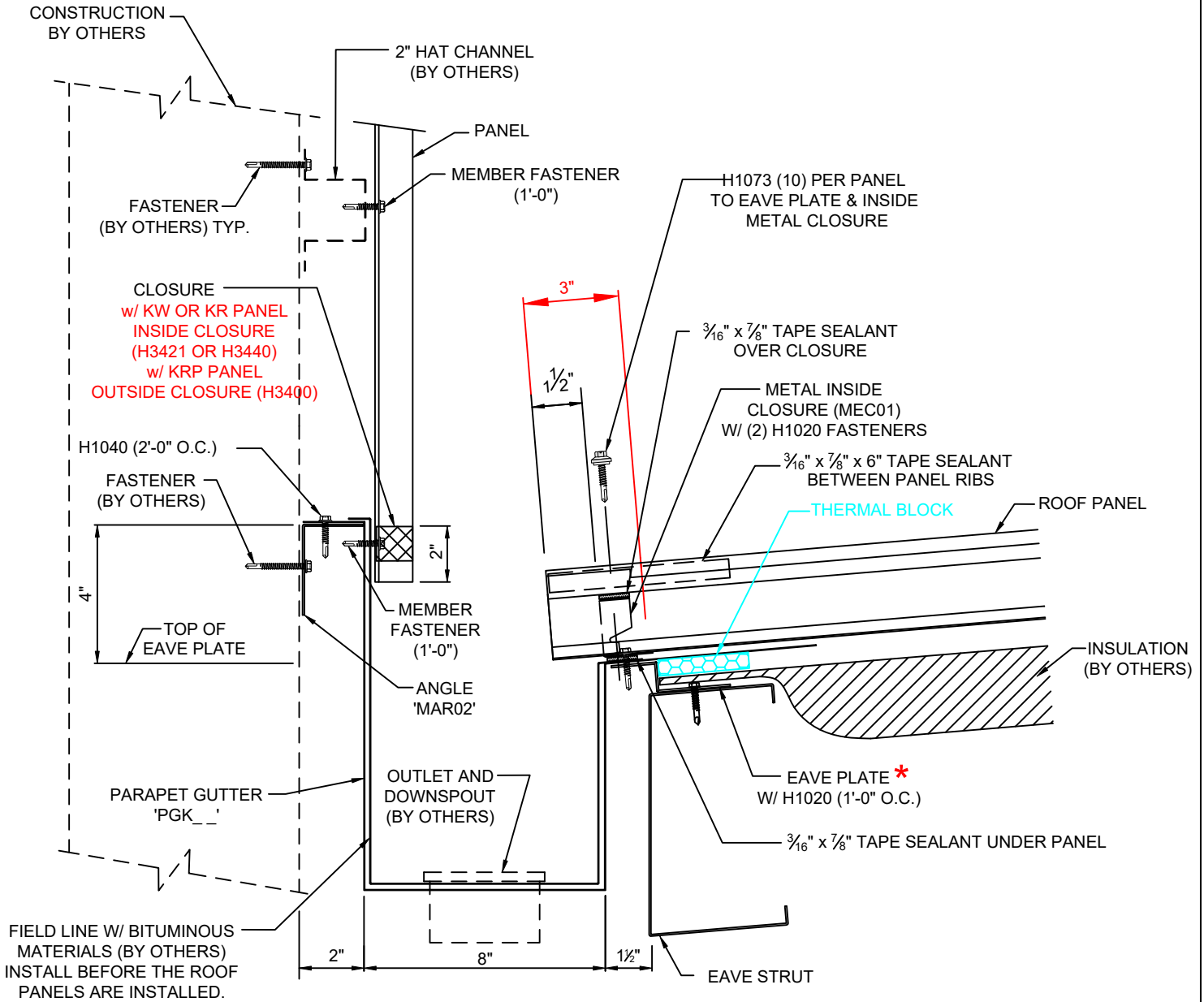


- EK8021 - Parapet Gutter at KBS Parapet
 - EK8031 - Parapet Gutter w/ Parapet B.O. & Back Pnl.
 - EK8041 - Parapet Gutter w/ Parapet B.O.
 - EK8051 - Valley Gutter Detail
 - EK8151 - Valley Gutter to Existing
 - EK8901 - Parapet Gutter End Cap Installation
 - EK8951 - Valley Gutter End Cap Installation
-



EK8021K

SS360 PARAPET GUTTER W/ KBS PARAPET



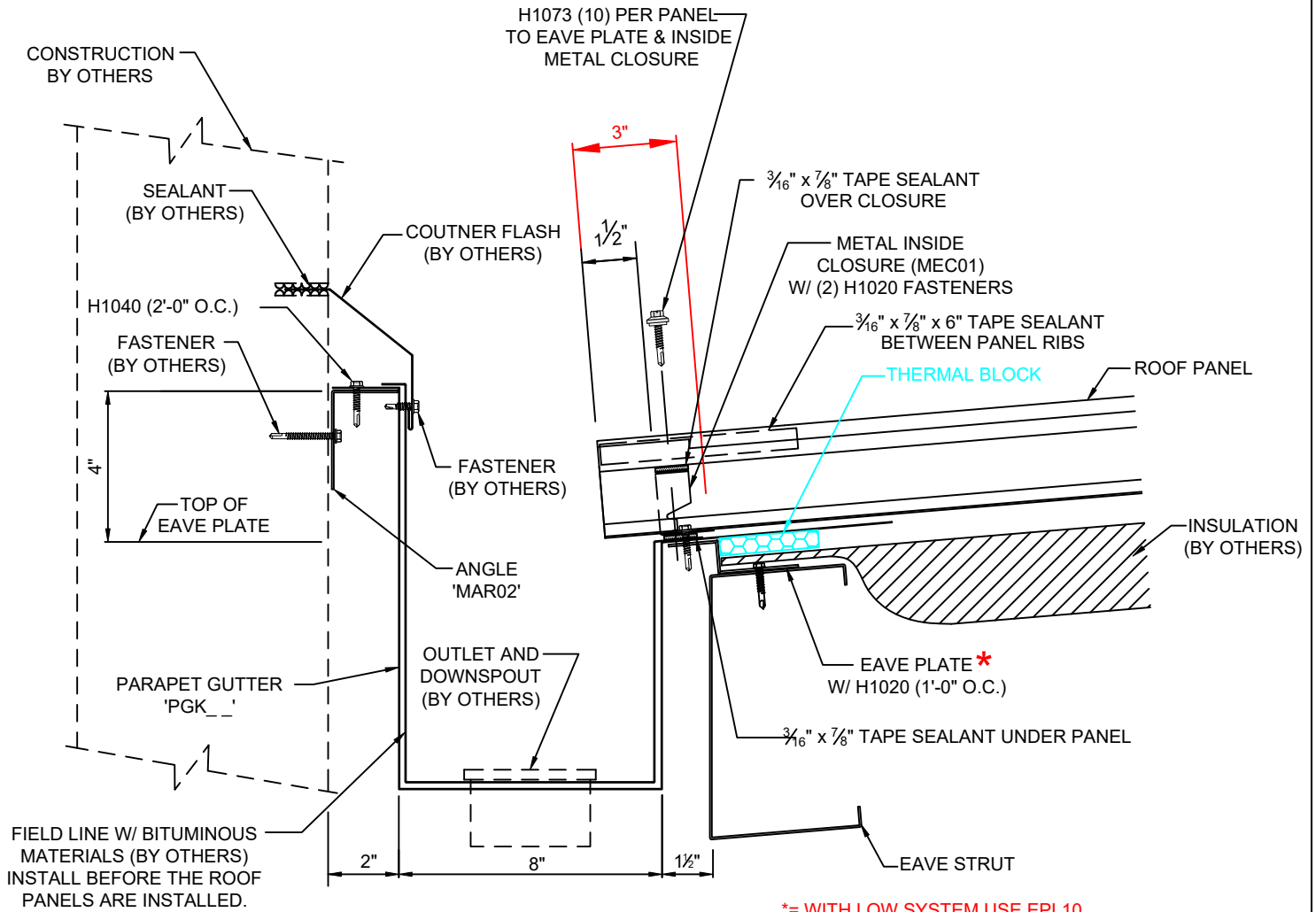
EK8031 K

**SS360 PARAPET GUTTER
PARAPET CONSTRUCTION BY OTHERS
w/ BACK PANEL**

***= WITH LOW SYSTEM USE EPL10**

WITH HIGH SYSTEM USE 'EPI120' IF 1ST PURLIN SPACE IS >3'-0" AND THE ROOF SLOPE IS < 2:12. USE 'EPH120' FOR OTHER CONDITIONS.

WITH 5" HIGH CLIPS USE 'EPG120' IF 1ST PURLIN SPACE IS > 3'-0" AND THE ROOF SLOPE IS < 2:12. USE 'EPF120' FOR OTHER CONDITIONS.



*= WITH LOW SYSTEM USE EPL10

EK8041 **K**

**SS360 PARAPET GUTTER
w/ PARAPET CONSTRUCTION BY OTHERS**

WITH HIGH SYSTEM USE 'EPI120' IF 1ST PURLIN SPACE IS >3'-0" AND THE ROOF SLOPE IS < 2:12. USE 'EPH120' FOR OTHER CONDITIONS.

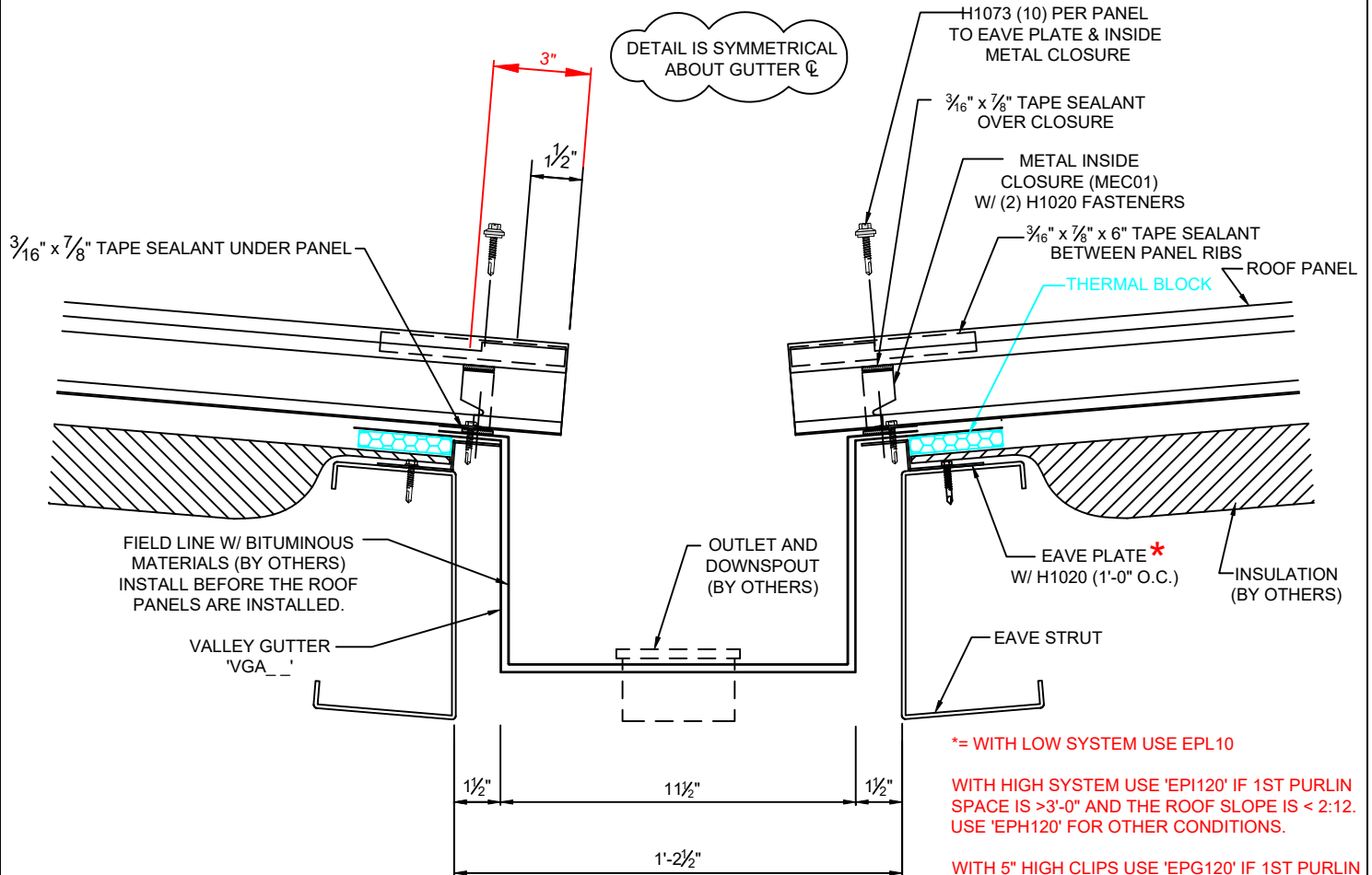
WITH 5" HIGH CLIPS USE 'EPG120' IF 1ST PURLIN SPACE IS > 3'-0" AND THE ROOF SLOPE IS < 2:12. USE 'EPF120' FOR OTHER CONDITIONS.



PREPARED BY: BKC

DATE: 2-25-20

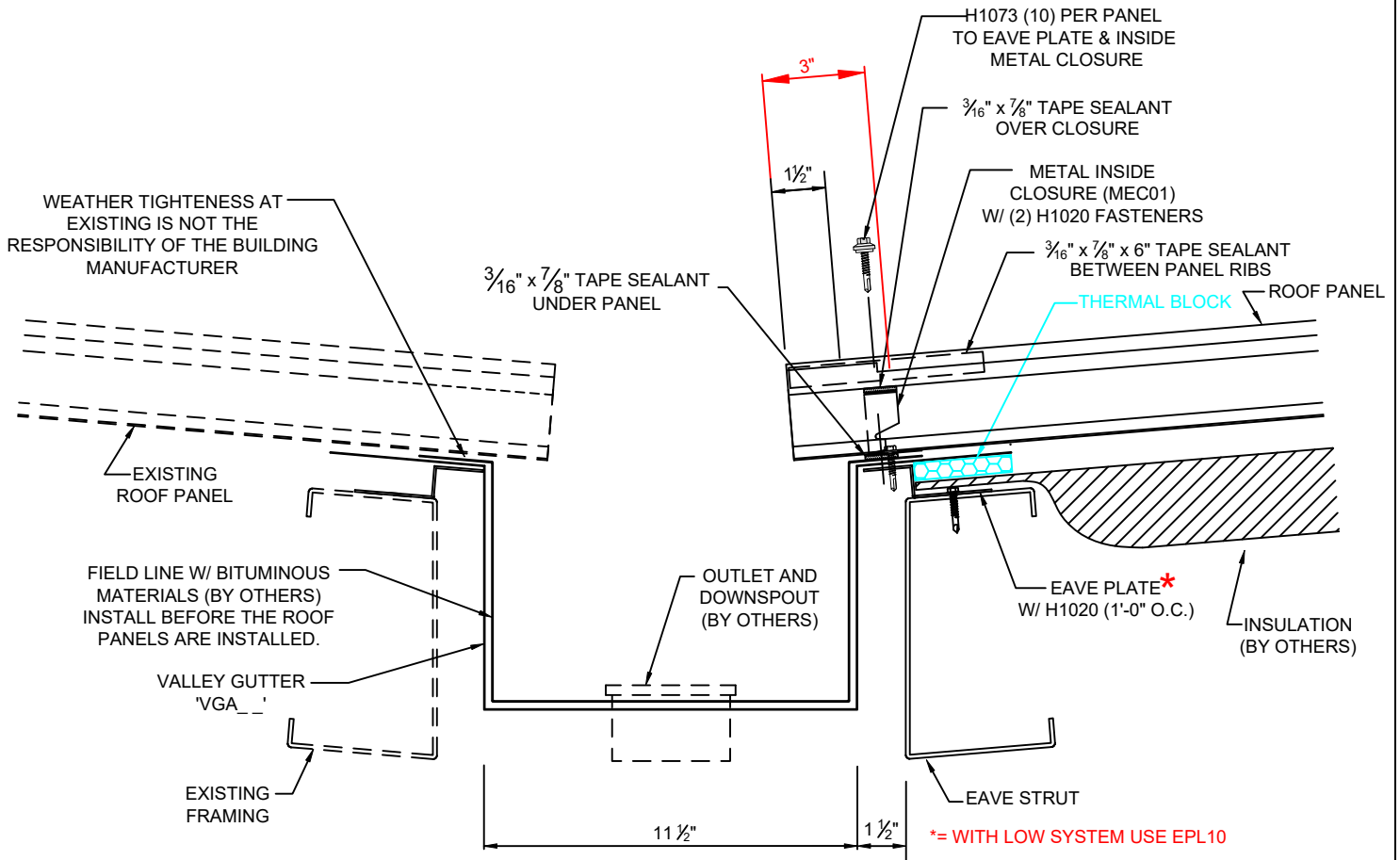
EK8041



*= WITH LOW SYSTEM USE EPL10
 WITH HIGH SYSTEM USE 'EPH120' IF 1ST PURLIN SPACE IS >3'-0" AND THE ROOF SLOPE IS < 2:12. USE 'EPH120' FOR OTHER CONDITIONS.
 WITH 5" HIGH CLIPS USE 'EPG120' IF 1ST PURLIN SPACE IS > 3'-0" AND THE ROOF SLOPE IS < 2:12. USE 'EPF120' FOR OTHER CONDITIONS.

EK8051K

SS360 w/ VALLEY GUTTER



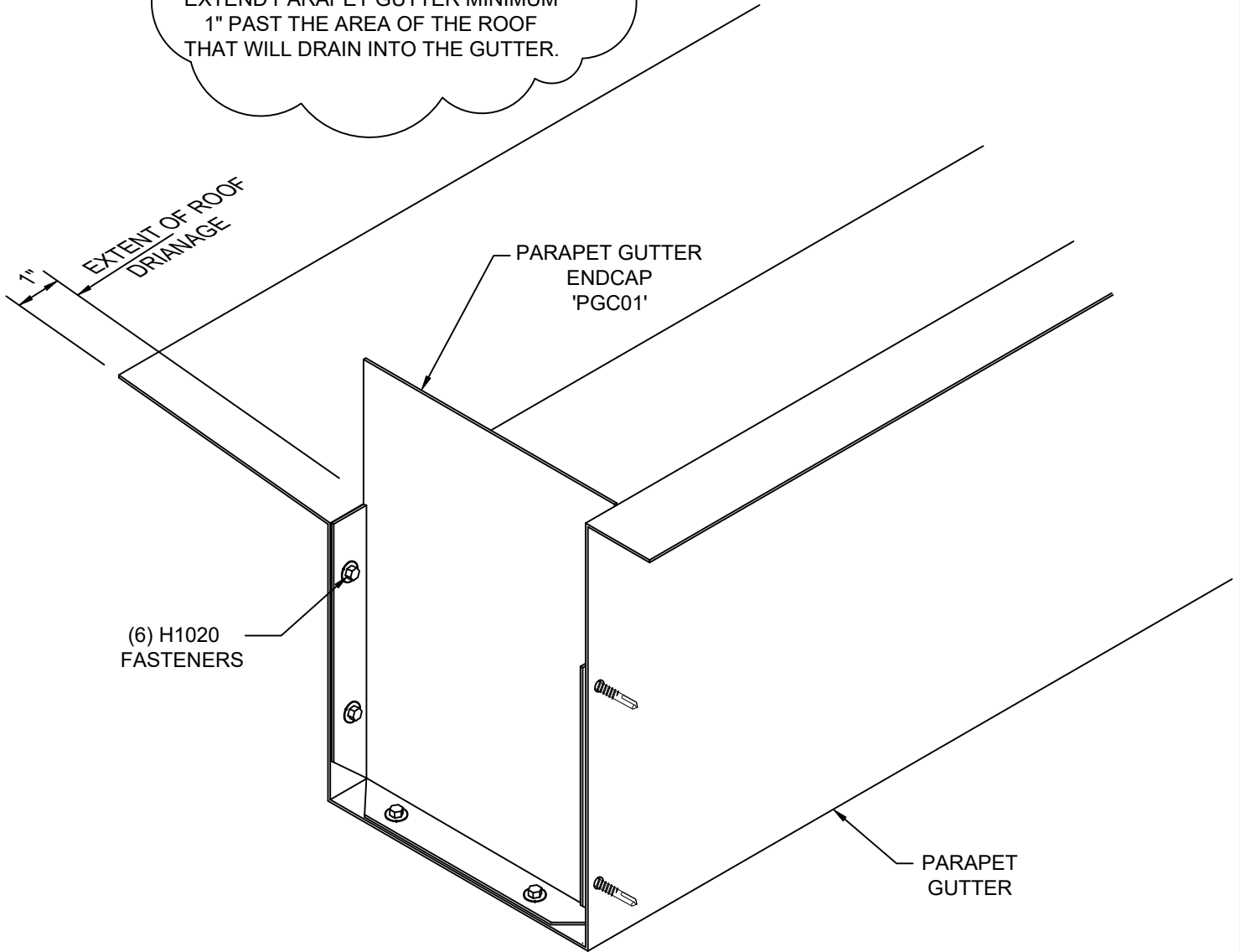
EK8151 K

SS360 w/ VALLEY GUTTER TO EXISTING BUILDING

WITH HIGH SYSTEM USE 'EPH120' IF 1ST PURLIN SPACE IS > 3'-0" AND THE ROOF SLOPE IS < 2:12. USE 'EPH120' FOR OTHER CONDITIONS.

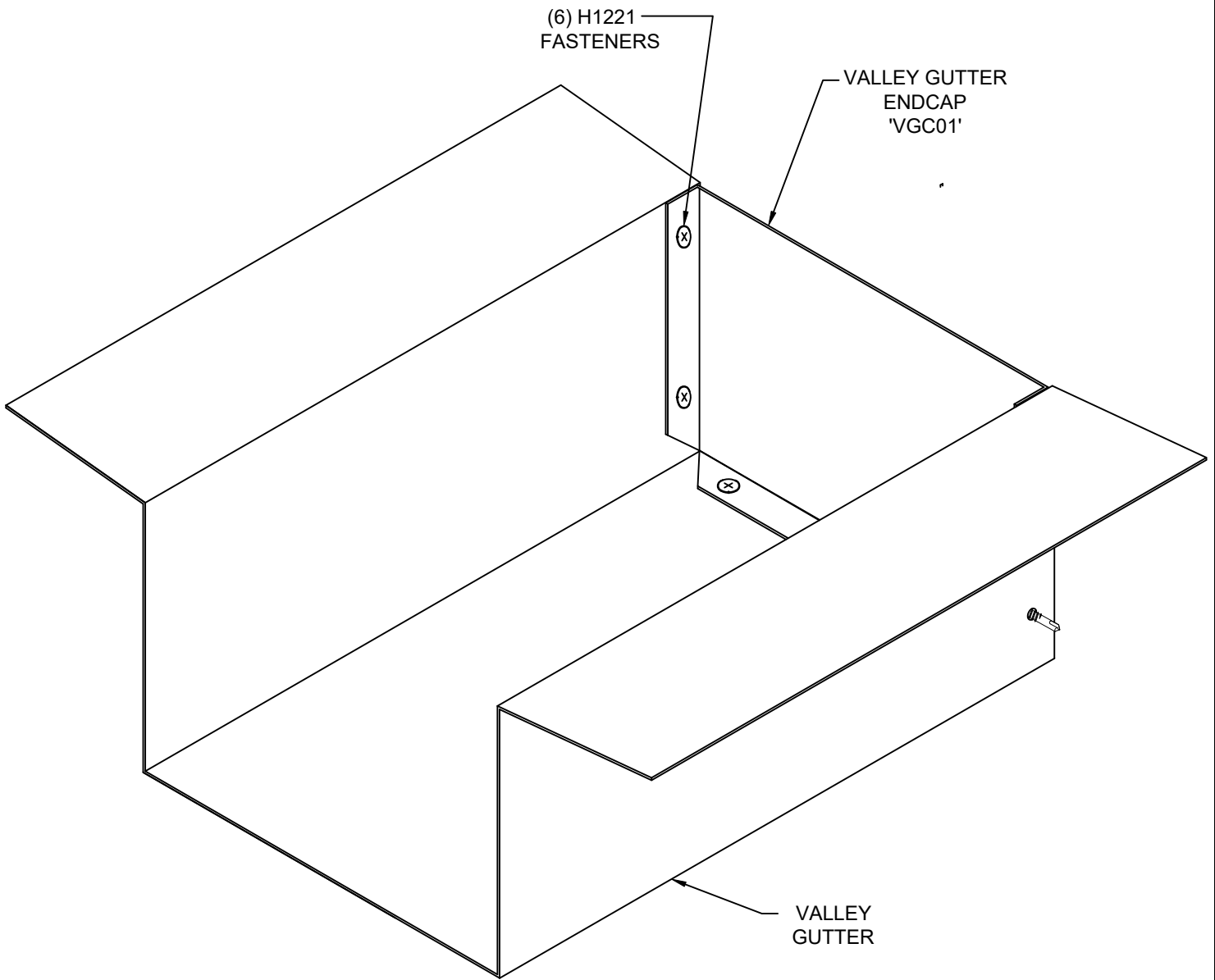
WITH 5" HIGH CLIPS USE 'EPG120' IF 1ST PURLIN SPACE IS > 3'-0" AND THE ROOF SLOPE IS < 2:12. USE 'EPF120' FOR OTHER CONDITIONS.

ERECTION NOTE:
EXTEND PARAPET GUTTER MINIMUM
1" PAST THE AREA OF THE ROOF
THAT WILL DRAIN INTO THE GUTTER.



EK8901K

PARAPET GUTTER END CAP INSTALLATION



EK8951 K

VALLEY GUTTER END CAP INSTALLATION