

ED3012K - EAVE GUTTER AT SHEETED WALL

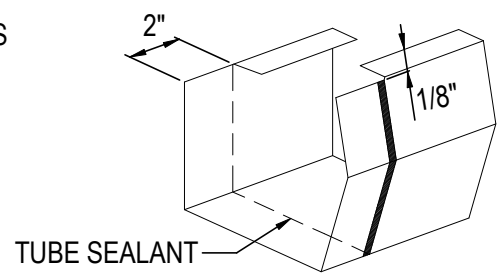
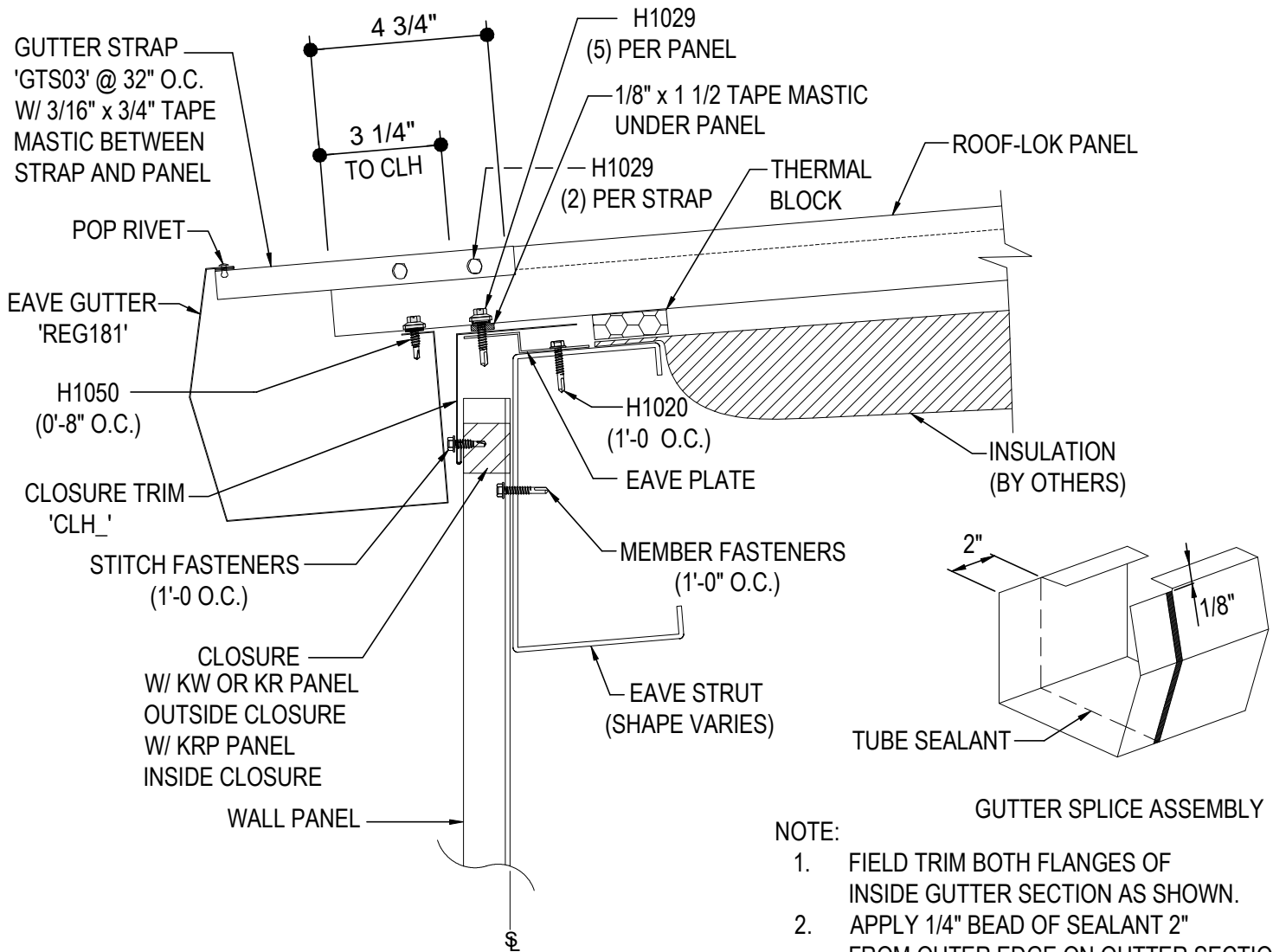
ED3032K - EAVE GUTTER, OPEN WALL FOR CONSTRUCTION BY OTHERS

ED3034K - EAVE GUTTER, OPEN (FULL HEIGHT) FOR CONSTRUCTION B.O.

ED3072K - EAVE GUTTER, OPEN EAVE W/O SOFFIT

ED3075K - EAVE GUTTER, OPEN WALL W/KR SOFFIT

ED3012K - EAVE GUTTER AT SHEETED WALL



GUTTER SPLICE ASSEMBLY

NOTE:

1. FIELD TRIM BOTH FLANGES OF INSIDE GUTTER SECTION AS SHOWN.
2. APPLY 1/4" BEAD OF SEALANT 2" FROM OUTER EDGE ON OUTER SECTION.
3. PLACE GUTTER SCCTIONS TOGETHER WITH A 2" LAP.
4. SECURE GUTTER SECTIONS TOGETHER WITH POP RIVETS.

EAVE GUTTER DETAIL

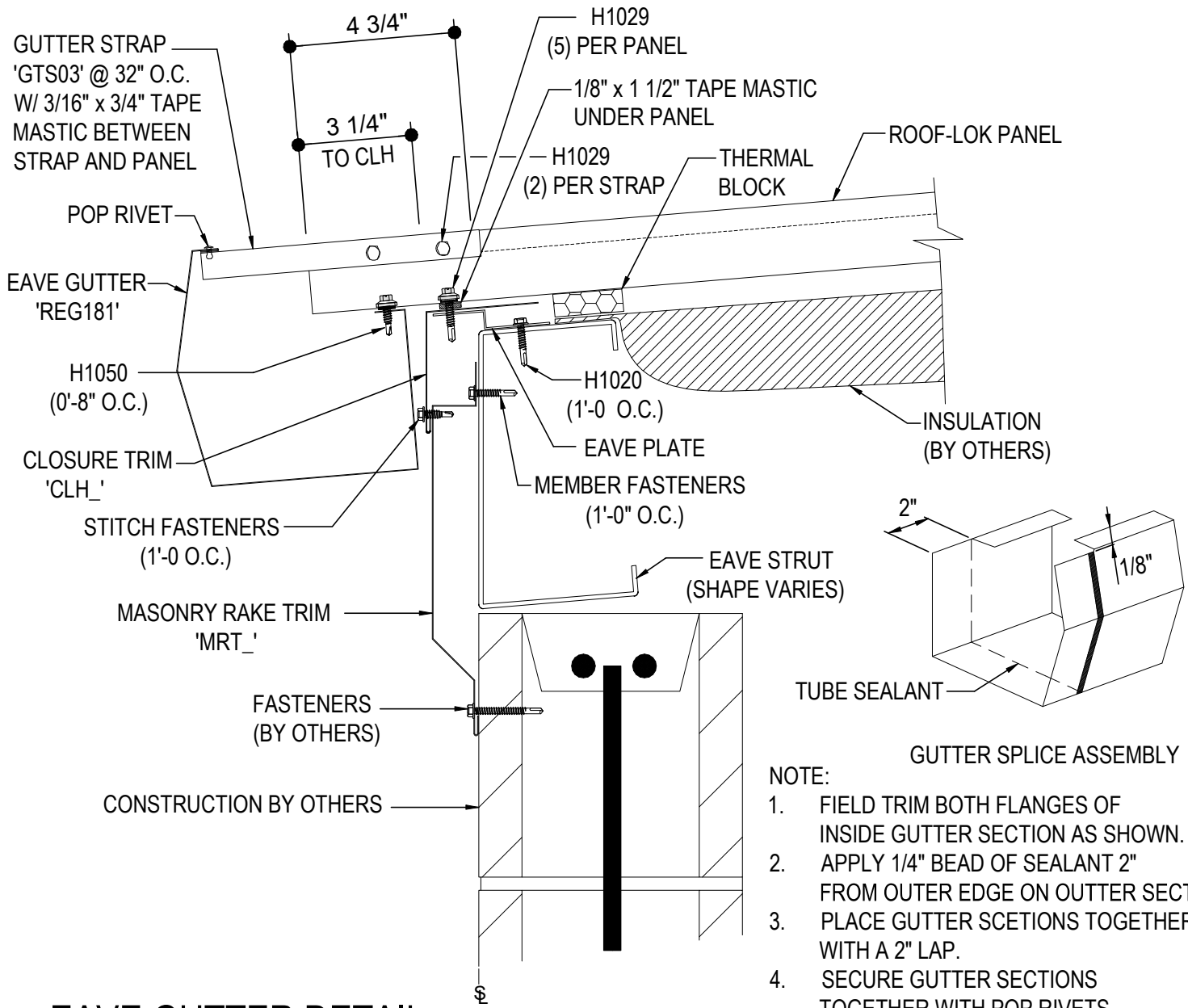
ROOF-LOK W/ EAVE GUTTER AT SHEETED WALL

ED3012

Detailer Notes:

- 1) N/A

ED3032K - EAVE GUTTER, OPEN WALL FOR CONSTRUCTION BY OTHERS



- GUTTER SPLICE ASSEMBLY**
- NOTE:
1. FIELD TRIM BOTH FLANGES OF INSIDE GUTTER SECTION AS SHOWN.
 2. APPLY 1/4" BEAD OF SEALANT 2" FROM OUTER EDGE ON OUTER SECTION
 3. PLACE GUTTER SCETIONS TOGETHER WITH A 2" LAP.
 4. SECURE GUTTER SECTIONS TOGETHER WITH POP RIVETS.

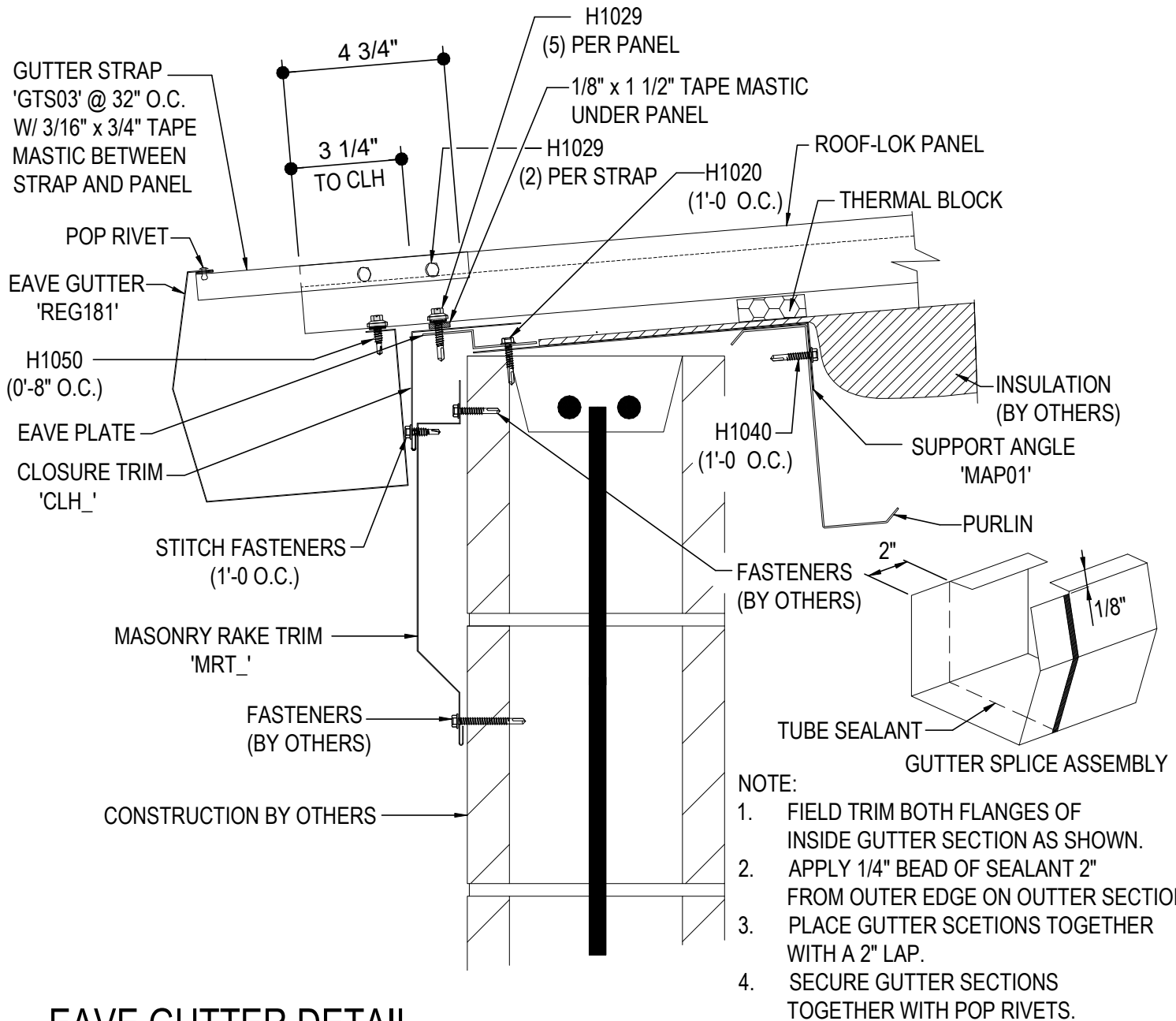
EAVE GUTTER DETAIL

ROOF-LOK W/ EAVE GUTTER, OPEN FOR CONSTRUCTION BY OTHERS

ED3032

Detailer Notes:
1) N/A

ED3034K - EAVE GUTTER, OPEN (FULL HEIGHT) FOR CONSTRUCTION B.O.



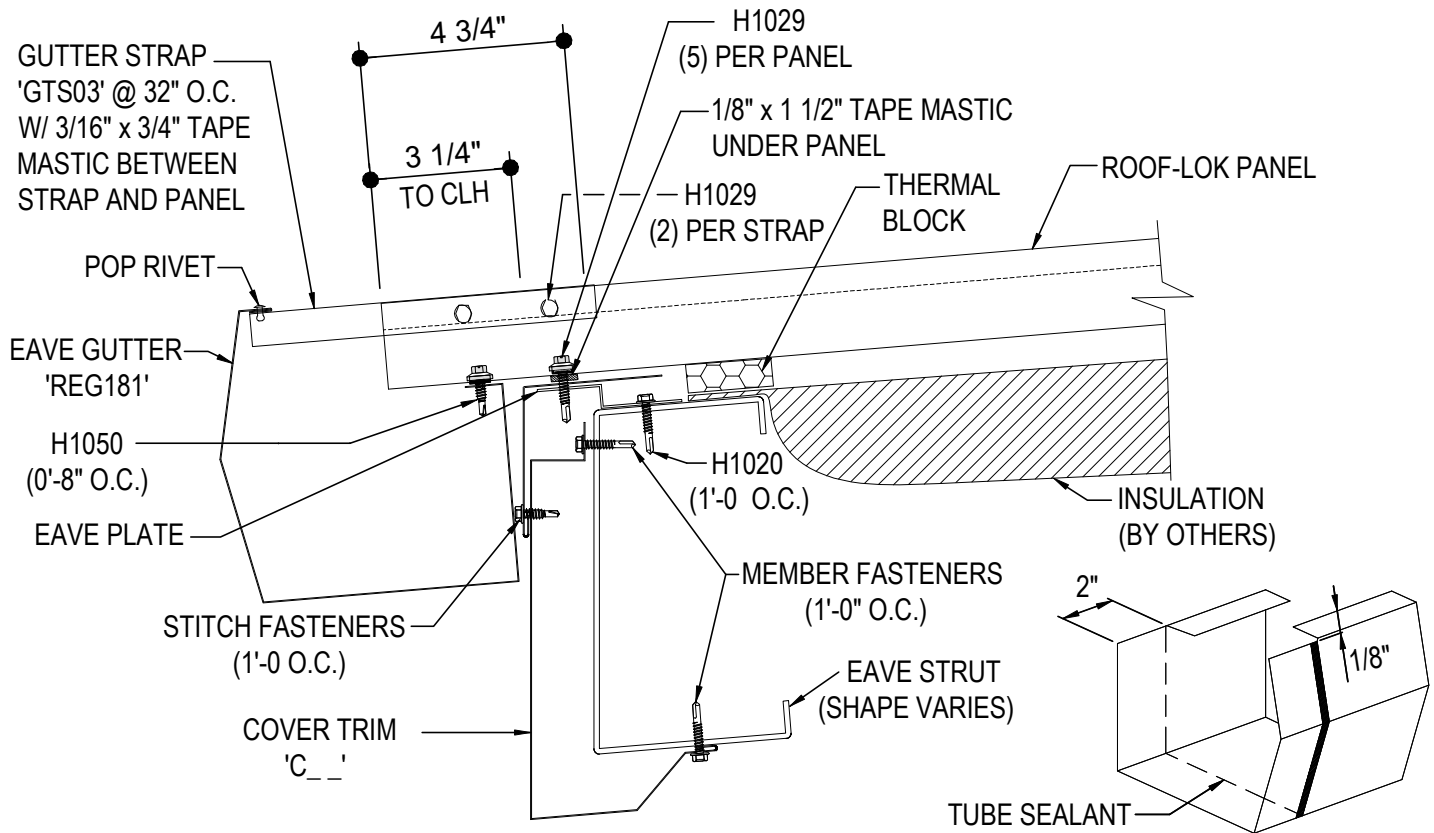
EAVE GUTTER DETAIL

ROOF-LOK W/ EAVE GUTTER, OPEN FOR CONSTRUCTION BY OTHERS (FULL HEIGHT)

ED3034

Detailer Notes:
1) N/A

ED3072K - EAVE GUTTER, OPEN EAVE W/O SOFFIT



GUTTER SPLICE ASSEMBLY

NOTE:

1. FIELD TRIM BOTH FLANGES OF INSIDE GUTTER SECTION AS SHOWN.
2. APPLY 1/4" BEAD OF SEALANT 2" FROM OUTER EDGE ON OUTER SECTION.
3. PLACE GUTTER SECTIONS TOGETHER WITH A 2" LAP.
4. SECURE GUTTER SECTIONS TOGETHER WITH POP RIVETS.

EAVE GUTTER DETAIL

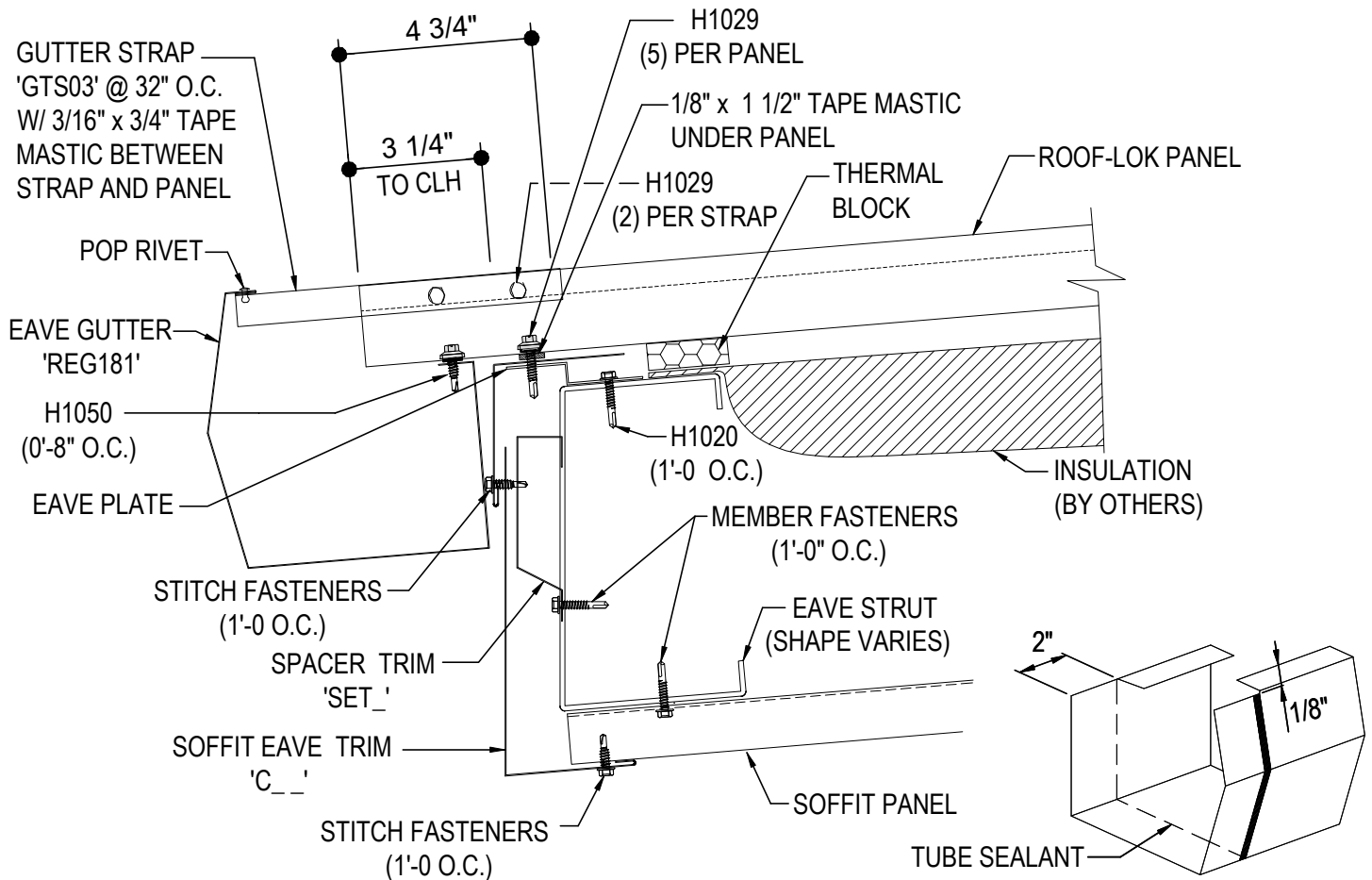
ROOF-LOK W/ EAVE GUTTER, OPEN EAVE W/O SOFFIT

ED3072

Detailer Notes:

- 1) N/A

ED3075K - EAVE GUTTER, OPEN WALL W/KR SOFFIT



NOTE:

1. FIELD TRIM BOTH FLANGES OF INSIDE GUTTER SECTION AS SHOWN.
2. APPLY 1/4" BEAD OF SEALANT 2" FROM OUTER EDGE ON OUTER SECTION.
3. PLACE GUTTER SCCTIONS TOGETHER WITH A 2" LAP.
4. SECURE GUTTER SECTIONS TOGETHER WITH POP RIVETS.

EAVE GUTTER DETAIL

ROOF-LOK W/ EAVE GUTTER, OPEN WALL W/ KR SOFFIT

ED3075

Detailer Notes:

- 1) N/A