

## **Low System w/ Sheeted Wall**

EC8011 - w/ ESA

EC8012 - w/ Eave Plate

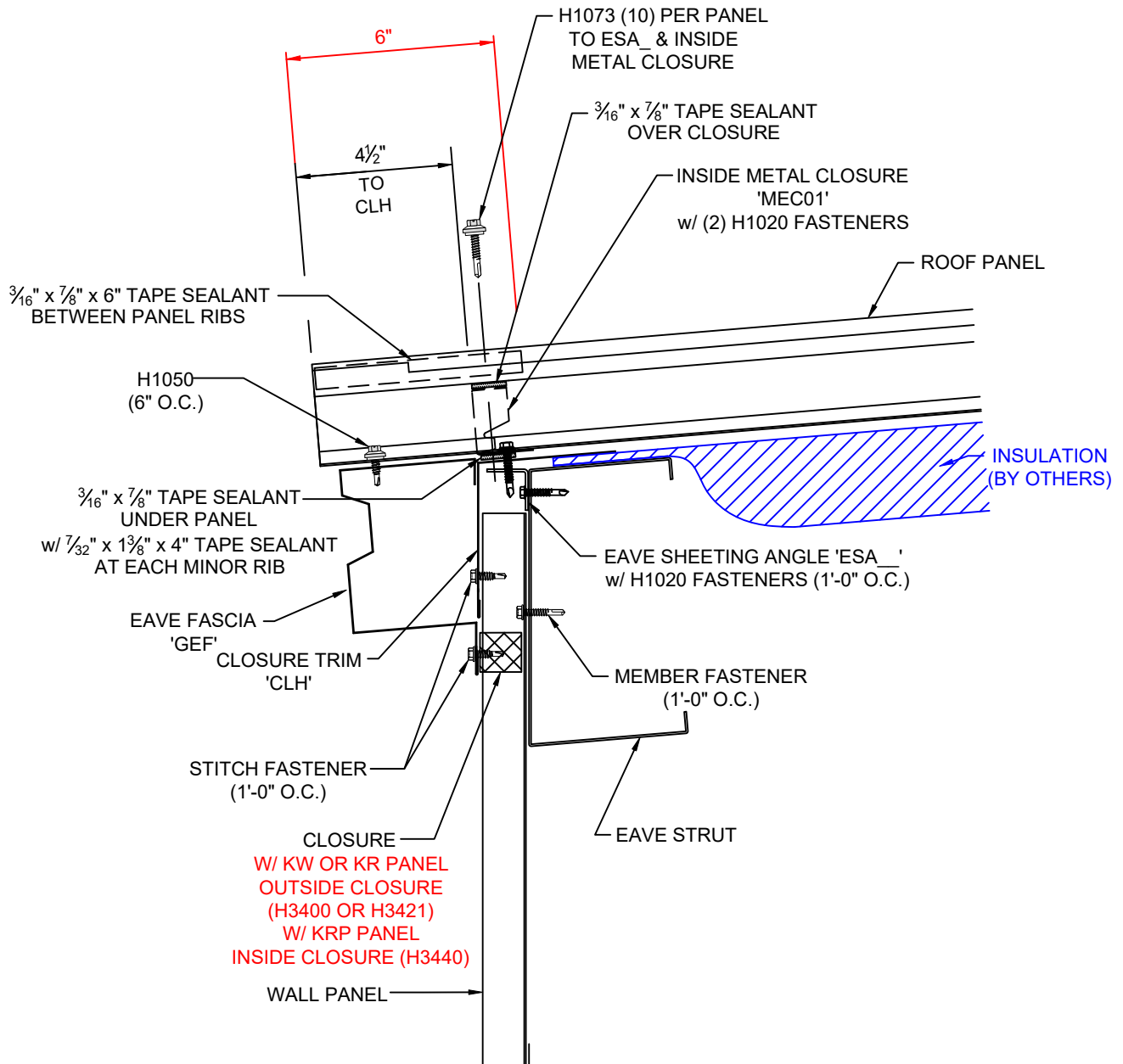
EC8212 - w/Eave Plate & Pinned Mid-Point

## **High System w/ Sheeted Wall**

EC8013 - w/ Eave Plate

EC8213 - w/ Eave Plate & Pinned Mid-Point

---



EC8011K

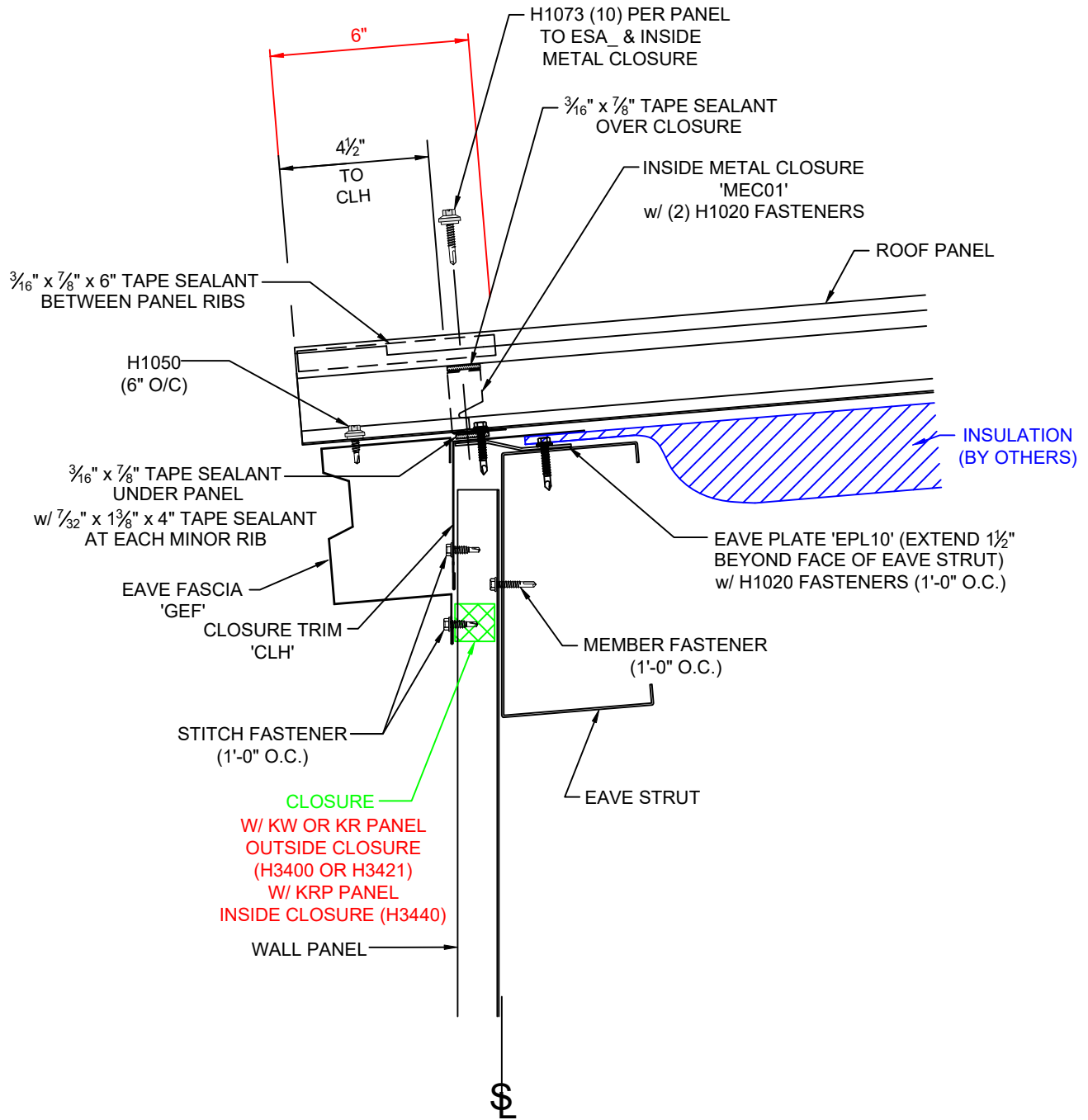
SS360 LOW SYSTEM w/ EAVE FASCIA AT SHEETED WALL.  
ROOF SLOPE < 2:12 AND PURLIN > 3'-0" UPHILL.



PREPARED BY: BKC

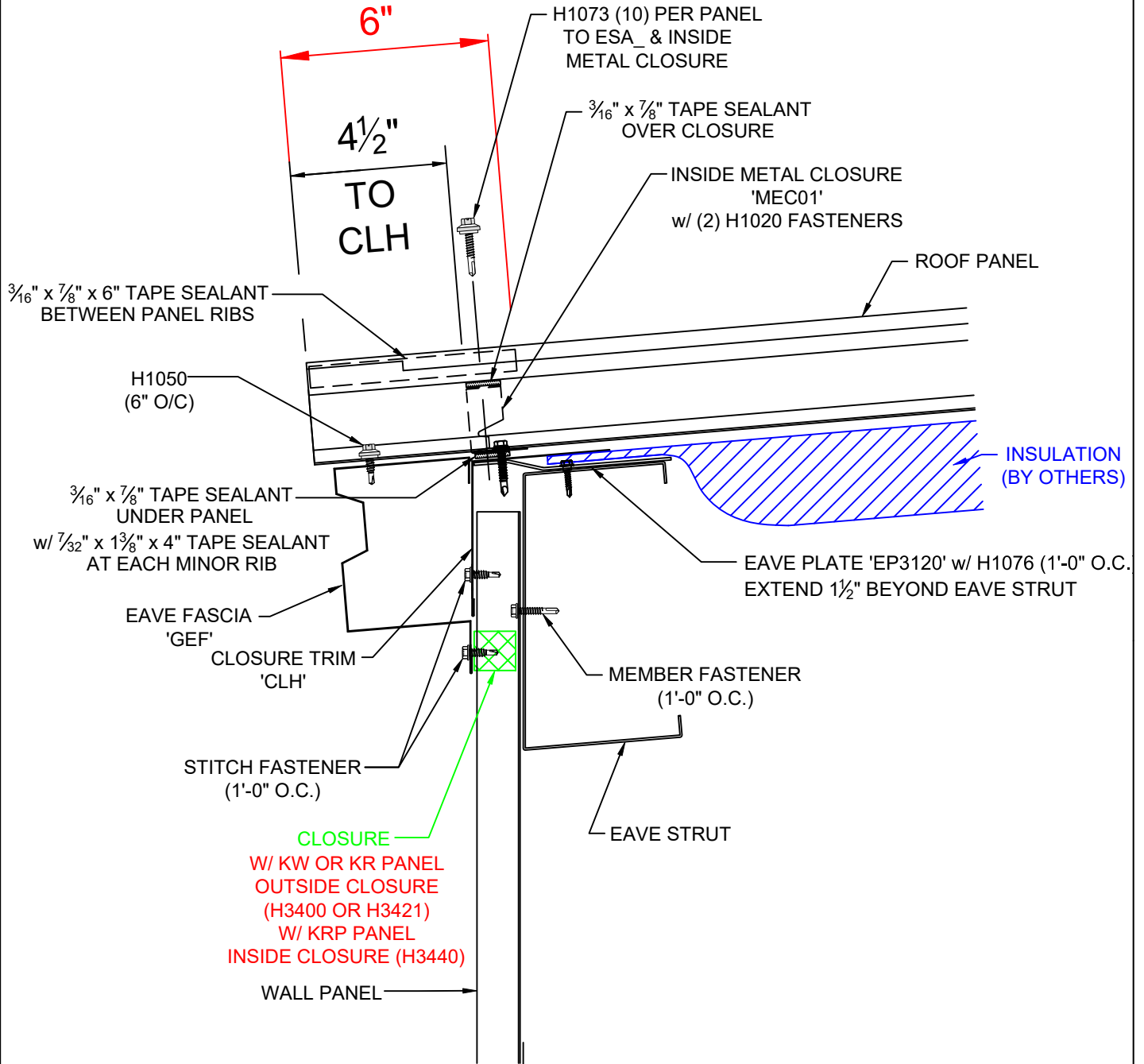
DATE: 2-20-20

EC8011



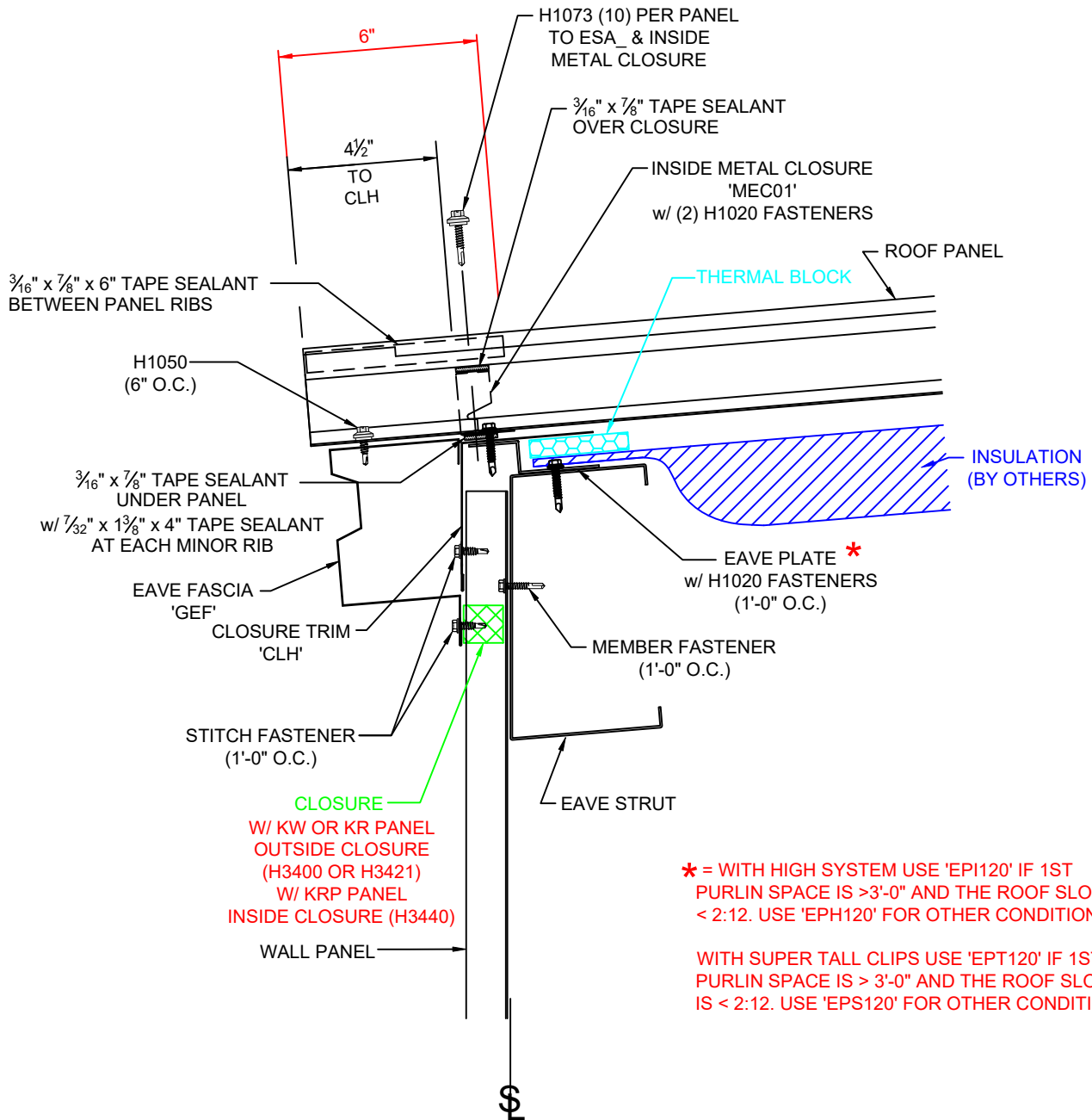
EC8012K

SS360 LOW SYSTEM W/ EAVE FASCIA AT A SHEETED WALL FOR ROOF SLOPE > 2:12 OR LOWER SLOPES WITH A PURLIN < 3'-0" UPHILL.



EC8212K

SS360 LOW SYSTEM W/ EAVE FASCIA AT A SHEETED WALL W/ PURLIN < 3'-0" UPHILL & A PINNED MID-POINT ON ROOF.



EC8013K

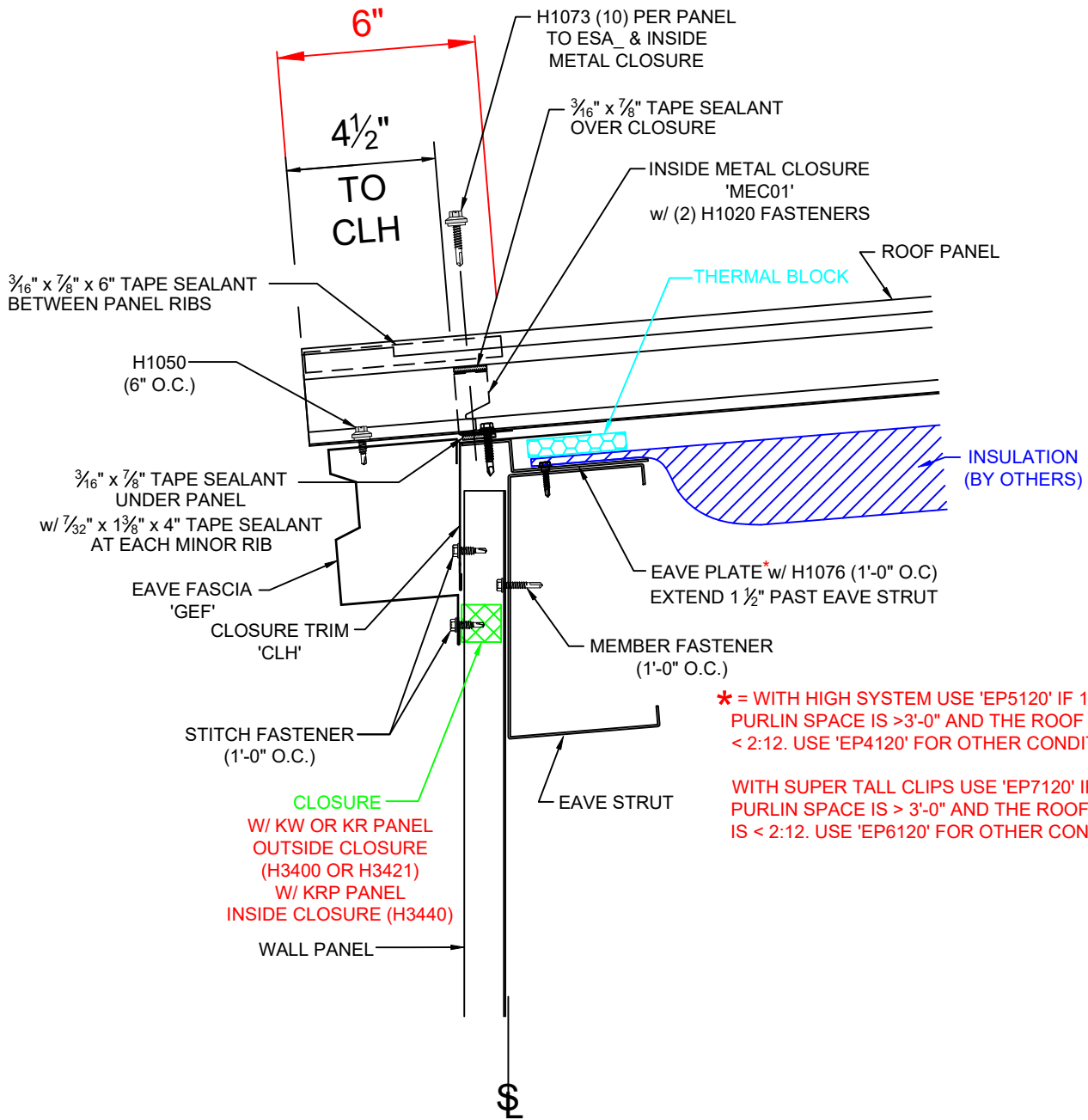
SS360 HIGH SYSTEM W/ EAVE FACIA AT SHEETED WALL.



PREPARED BY: BKC

DATE: 2-20-20

EC8013



EC8213K

SS360 HIGH SYSTEM W/ EAVE FACIA AT SHEETED WALL  
w/ PINNED MID-POINT ON ROOF