

EC3012K - EAVE FASCIA AT SHEETED WALL

EC3032K - EAVE FASCIA, OPEN WALL FOR CONSTRUCTION BY OTHERS

EC3034K - EAVE FASCIA TRIM, AT OPEN WALL FULL HEIGHT FOR CONSTRUCTION B.O

.

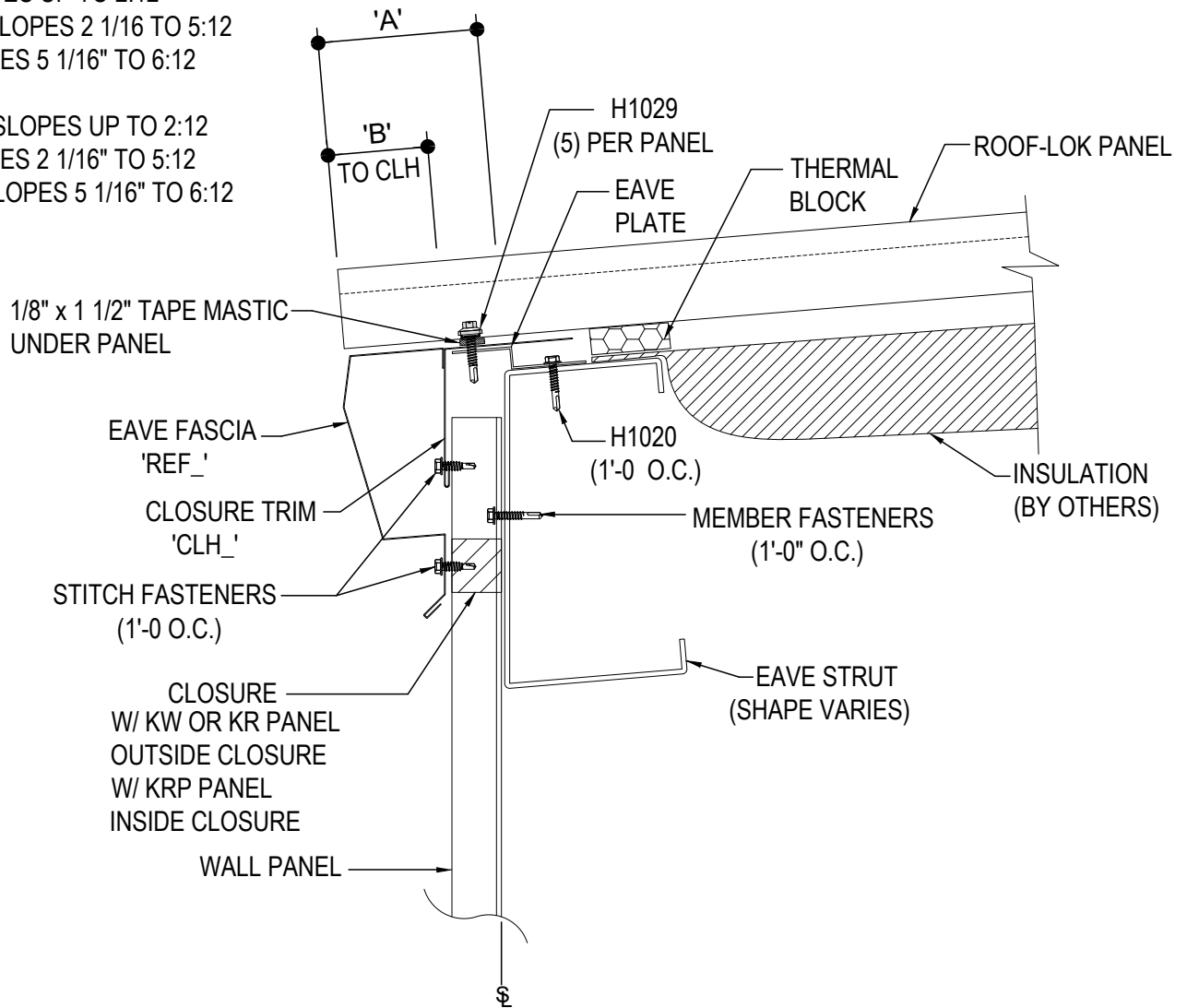
EC3072K - EAVE FASCIA, OPEN WALL W/O SOFFIT

EC3075K - EAVE FASCIA, OPEN WALL W/KR SOFFIT

EC3012K - EAVE FASCIA AT SHEETED WALL

A = 4" ON SLOPES UP TO 2:12
5 1/2" ON SLOPES 2 1/16 TO 5:12
7" ON SLOPES 5 1/16" TO 6:12

B = 2 9/16" ON SLOPES UP TO 2:12
4" ON SLOPES 2 1/16" TO 5:12
5 1/2" ON SLOPES 5 1/16" TO 6:12



EAVE FASCIA DETAIL

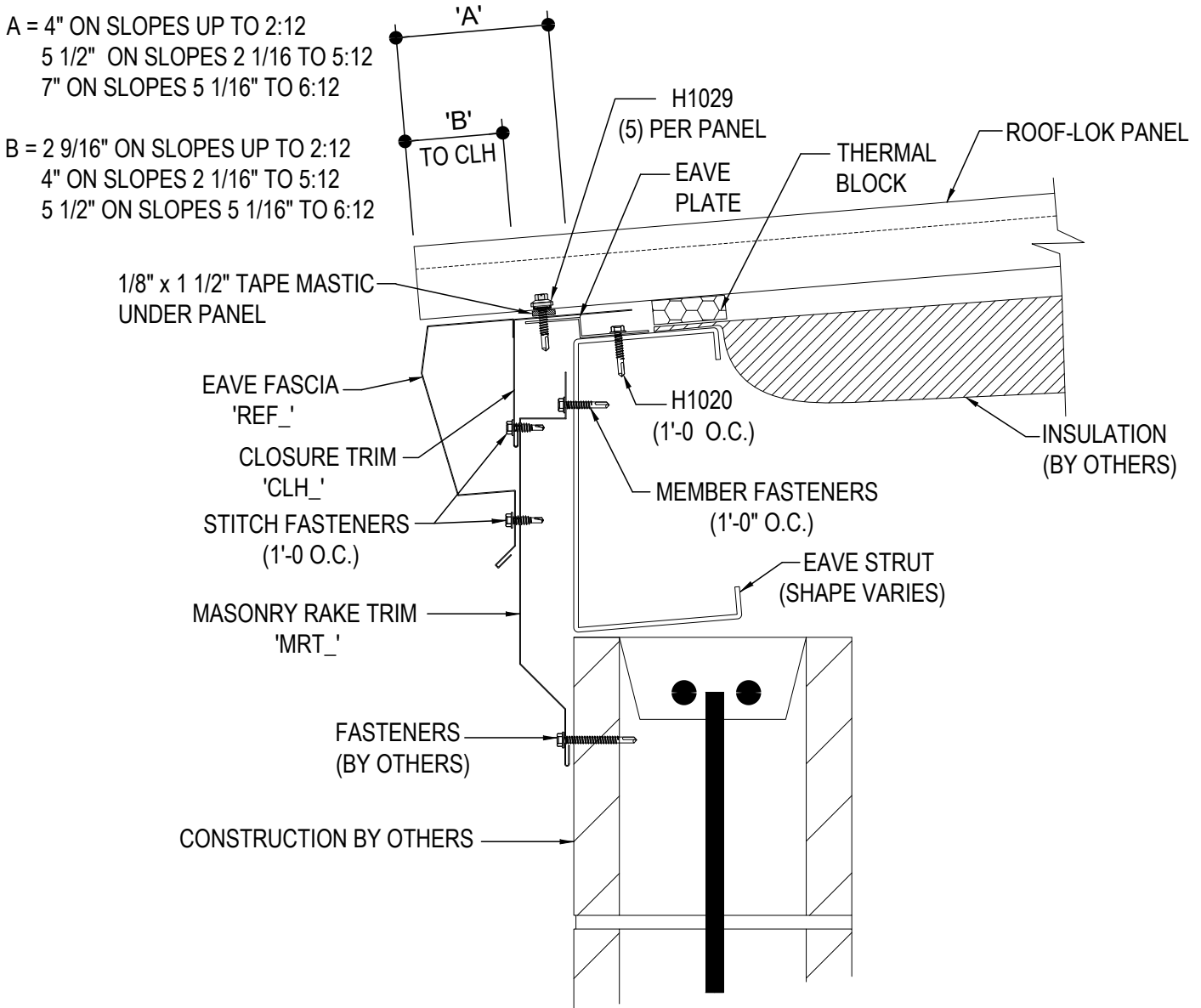
ROOF-LOK W/ EAVE FASCIA TRIM AT SHEETED WALL

EC3012

Detailer Notes:

- 1) N/A

EC3032K - EAVE FASCIA, OPEN WALL FOR CONSTRUCTION BY OTHERS



EAVE FASCIA DETAIL

ROOF-LOK W/ EAVE FASCIA TRIM OPEN FOR CONSTRUCTION BY OTHERS

EC3032

Detailer Notes:

- 1) N/A

EC3034K - EAVE FASCIA TRIM, AT OPEN WALL FULL HEIGHT FOR CONSTRUCTION B.O.

A = 4" ON SLOPES UP TO 2:12

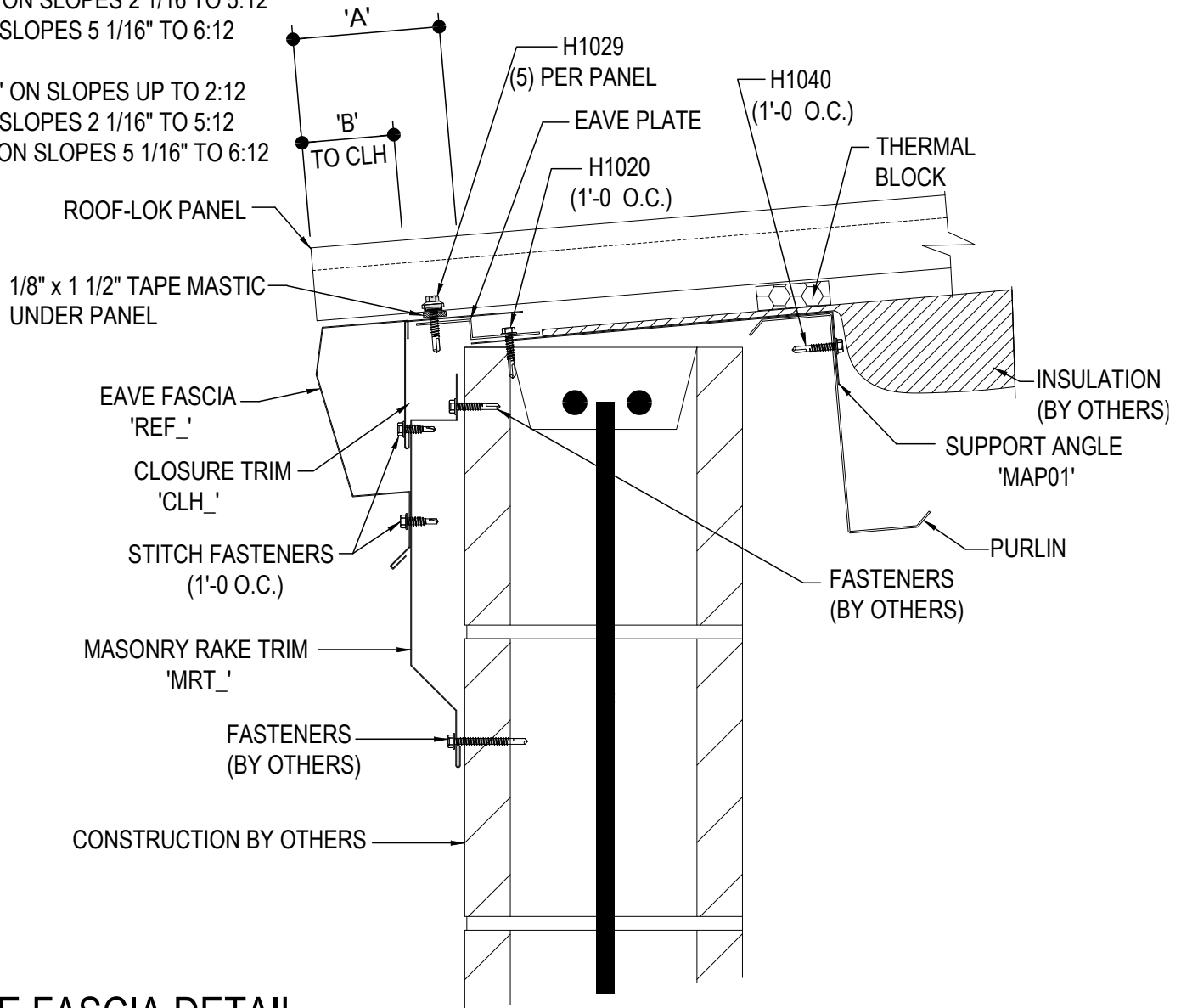
5 1/2" ON SLOPES 2 1/16" TO 5:12

7" ON SLOPES 5 1/16" TO 6:12

B = 2 9/16" ON SLOPES UP TO 2:12

4" ON SLOPES 2 1/16" TO 5:12

5 1/2" ON SLOPES 5 1/16" TO 6:12



EAVE FASCIA DETAIL

ROOF-LOK W/ EAVE FASCIA TRIM OPEN FOR CONSTRUCTION BY OTHERS
(FULL HEIGHT)

EC3034

Detailer Notes:

- 1) N/A

EC3072K - EAVE FASCIA, OPEN WALL W/O SOFFIT

A = 4" ON SLOPES UP TO 2:12

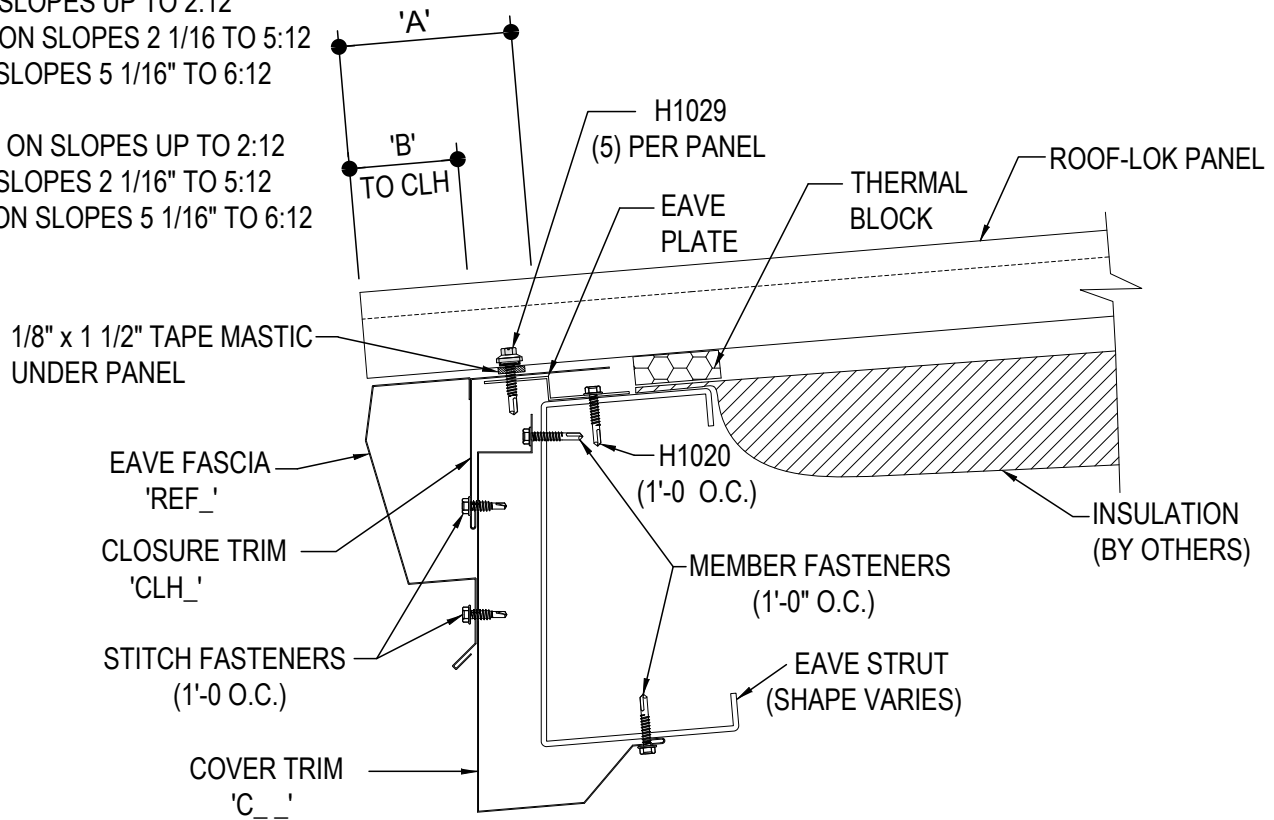
5 1/2" ON SLOPES 2 1/16 TO 5:12

7" ON SLOPES 5 1/16" TO 6:12

B = 2 9/16" ON SLOPES UP TO 2:12

4" ON SLOPES 2 1/16" TO 5:12

5 1/2" ON SLOPES 5 1/16" TO 6:12



EAVE FASCIA DETAIL

ROOF-LOK W/ EAVE FASCIA TRIM OPEN W/O SOFFIT

EC3072

Detailer Notes:

- 1) N/A

EC3075K - EAVE FASCIA, OPEN WALL W/KR SOFFIT

A = 4" ON SLOPES UP TO 2:12

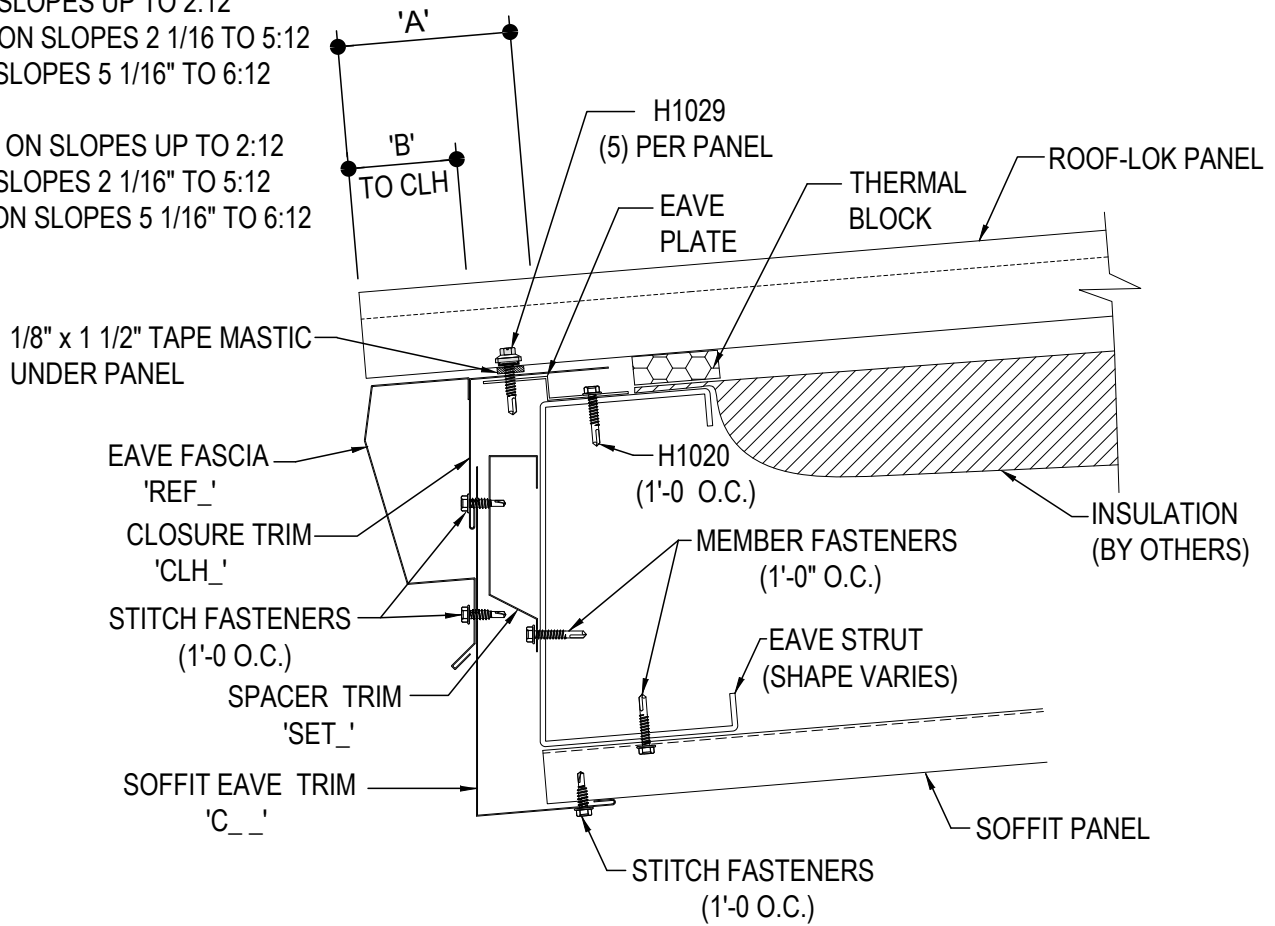
5 1/2" ON SLOPES 2 1/16 TO 5:12

7" ON SLOPES 5 1/16" TO 6:12

B = 2 9/16" ON SLOPES UP TO 2:12

4" ON SLOPES 2 1/16" TO 5:12

5 1/2" ON SLOPES 5 1/16" TO 6:12



EAVE FASCIA DETAIL

ROOF-LOK W/ EAVE FASCIA TRIM OPEN W/ KR SOFFIT

EC3075

Detailer Notes:

- 1) N/A