

DH0011 - STD HIGH EAVE FACIA

DH0031 - HIGH EAVE FACIA OPEN FOR MASONRY/CONST. BY OTHERS

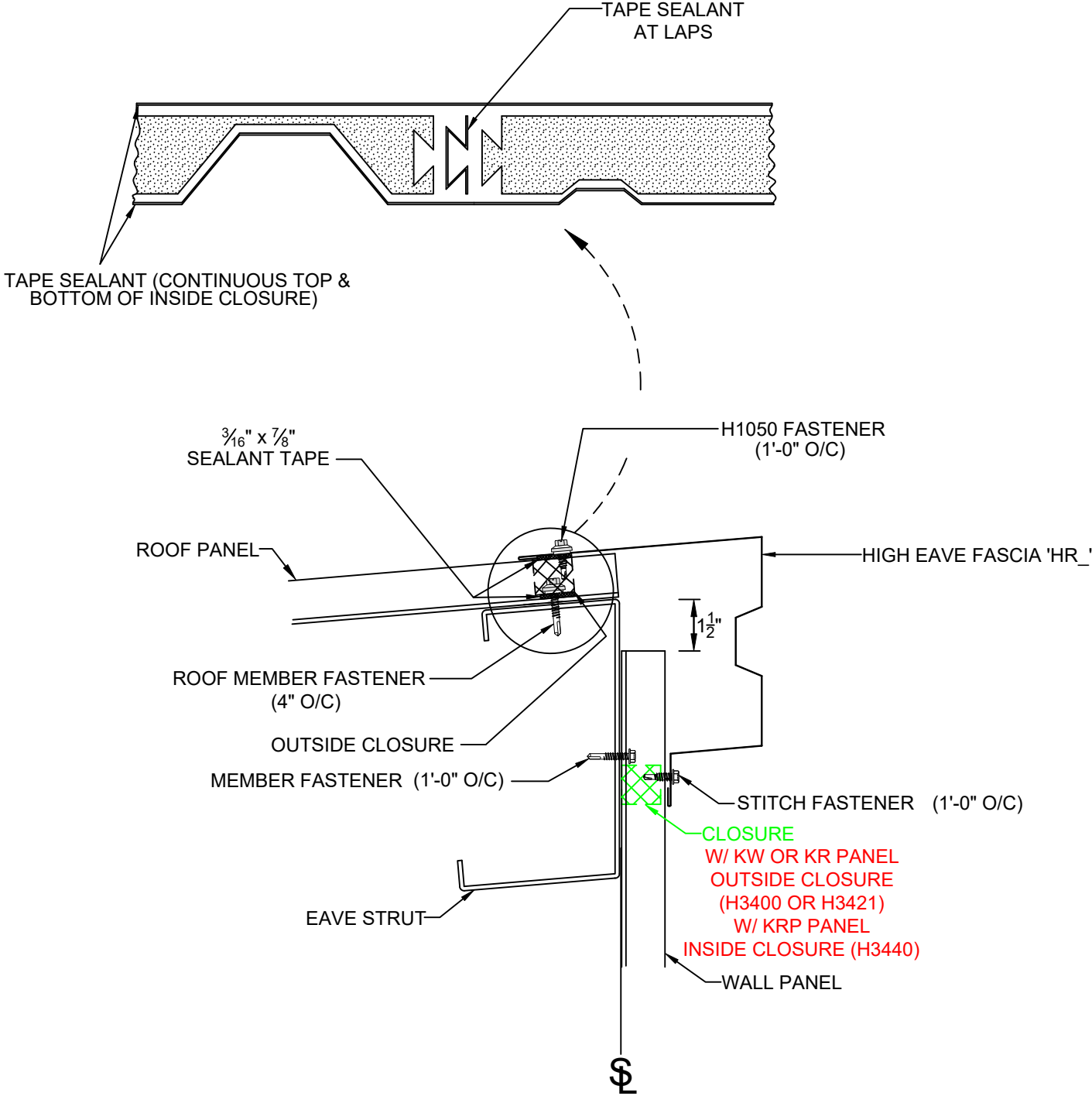
DH0036 - HIGH EAVE FACIA OPEN FOR MASONRY/CONST. BY OTHERS (NO EAVE STR
UT)

DH0071 - OPEN HIGH S/W OR RAKE EXT w/ HEF w/o SOFFIT

DH0076 - OPEN HIGH S/W OR RAKE EXT w/ HEF w/ KR SOFFIT

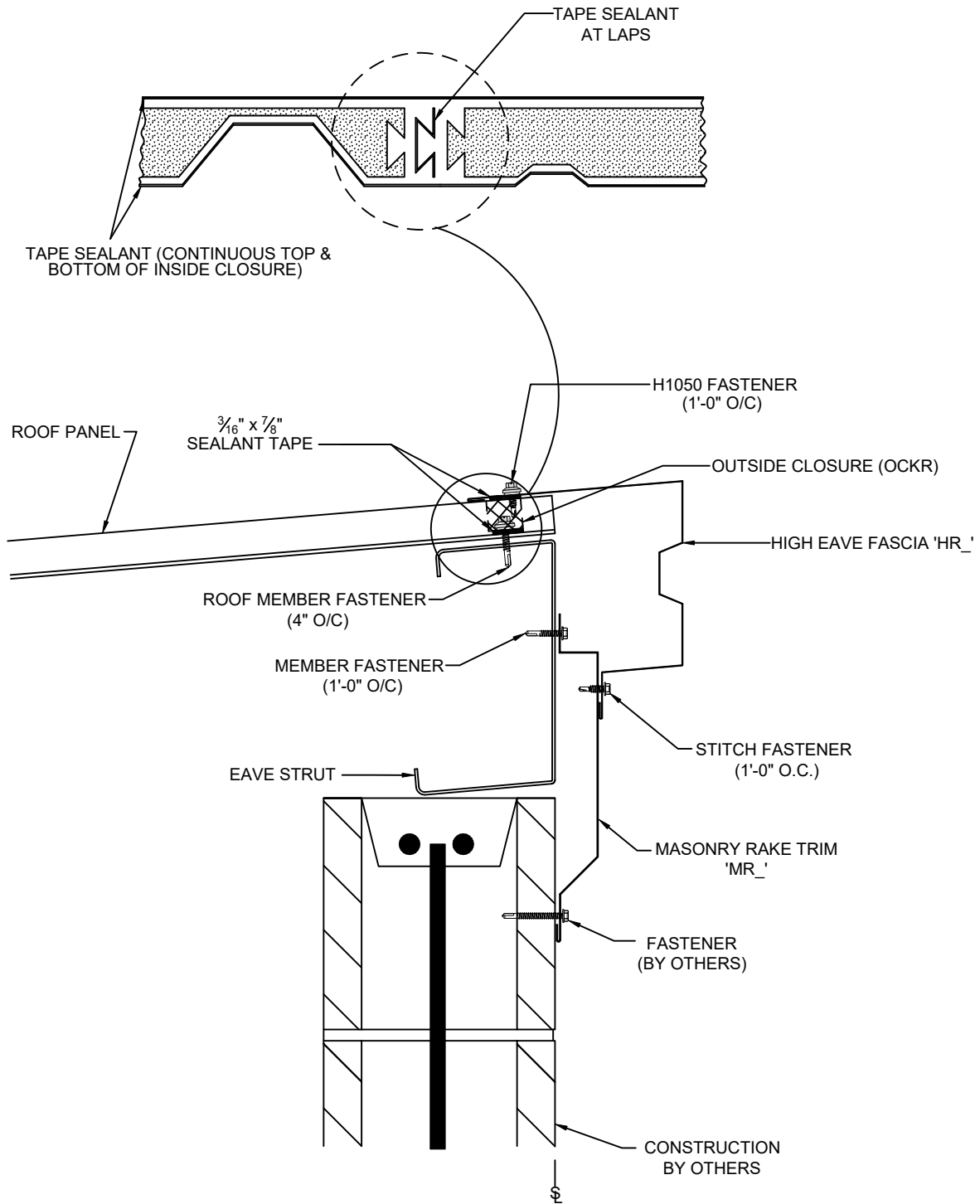
DH0176 - OPEN HIGH EAVE w/ KFS SOFFIT

DH0601 - HIGH EAVE TO RAKE AT CORNER



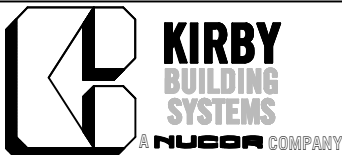
DH0011K

EAVE CONDITION AT HIGH SIDE



DH0031K

KIRBYRIB ROOF HIGH EAVE DETAIL OPEN WALL FOR CONSTRUCTION BY OTHERS

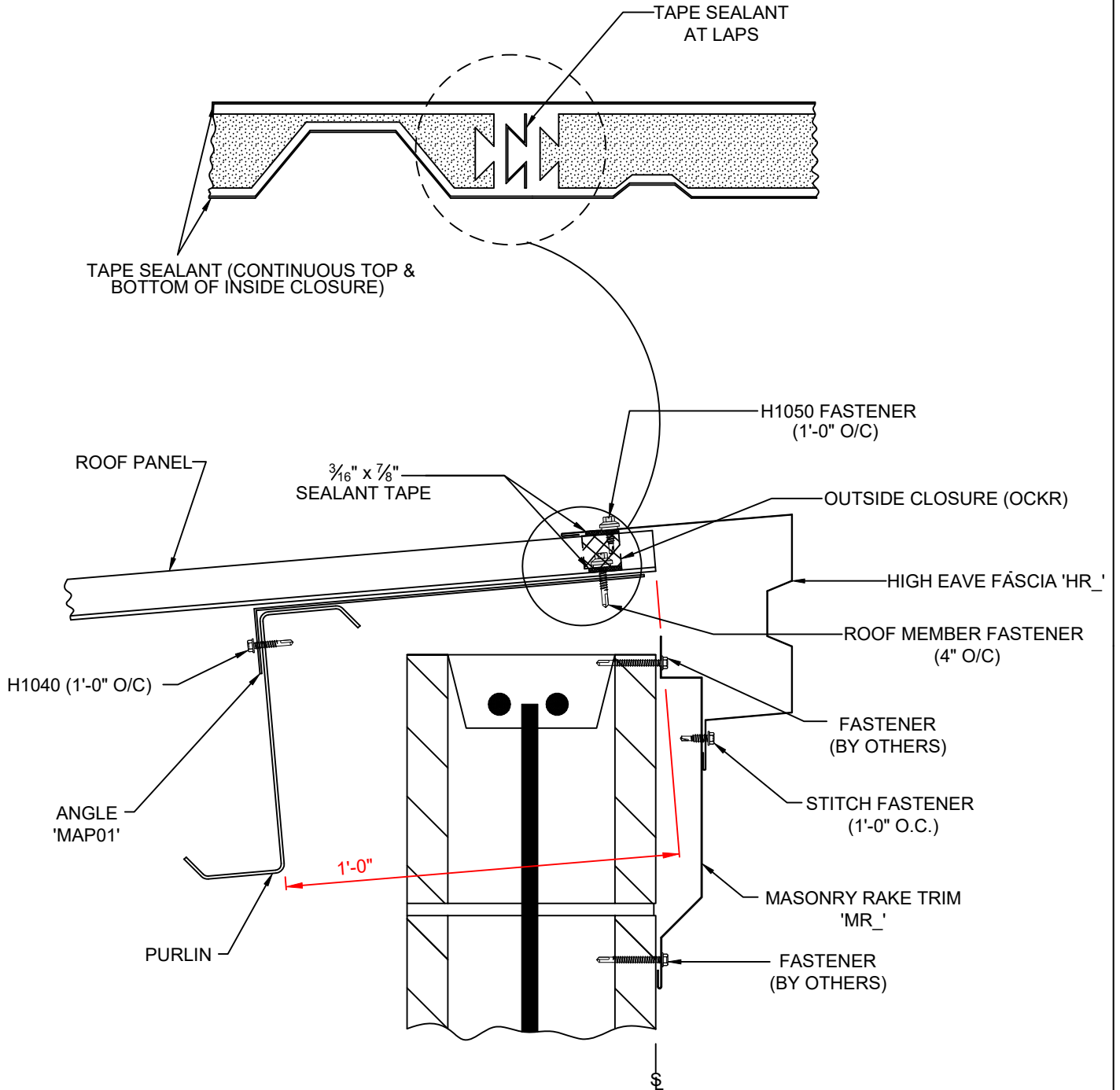


BETTER SOLUTIONS. BETTER BUILDINGS.

PREPARED BY: BKC

DATE: 4-3-20

DH0031



DH0036K

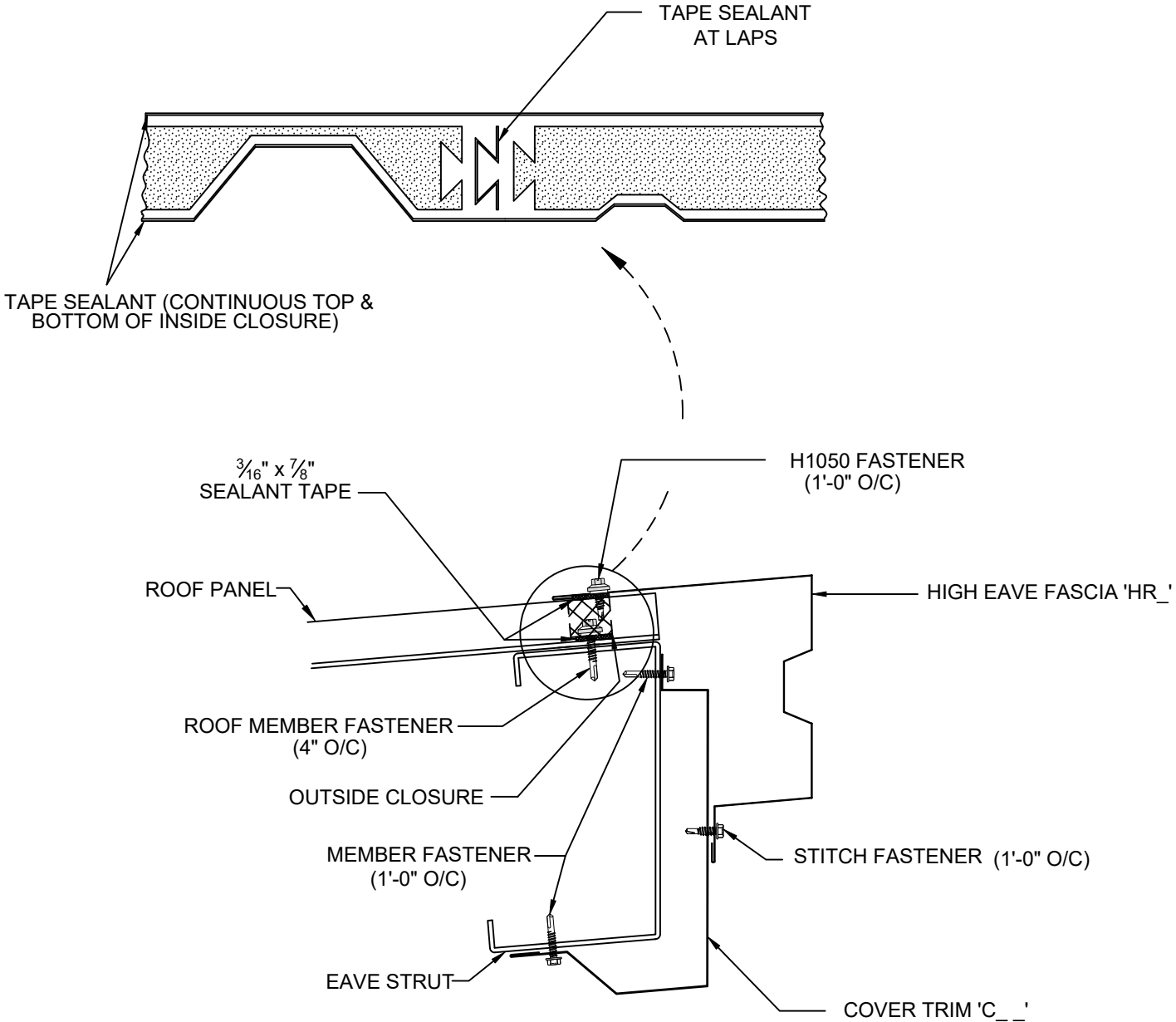
KIRBYRIB ROOF HIGH EAVE DETAIL OPEN WALL FOR CONSTRUCTION BY OTHERS



PREPARED BY: KBC

DATE: 4-3-20

DH0036



DH0071

OPEN HIGH SIDEWALL OR RAKE
EXTENSION W/ EAVE FASCIA W/O SOFFIT



KIRBY
BUILDING
SYSTEMS

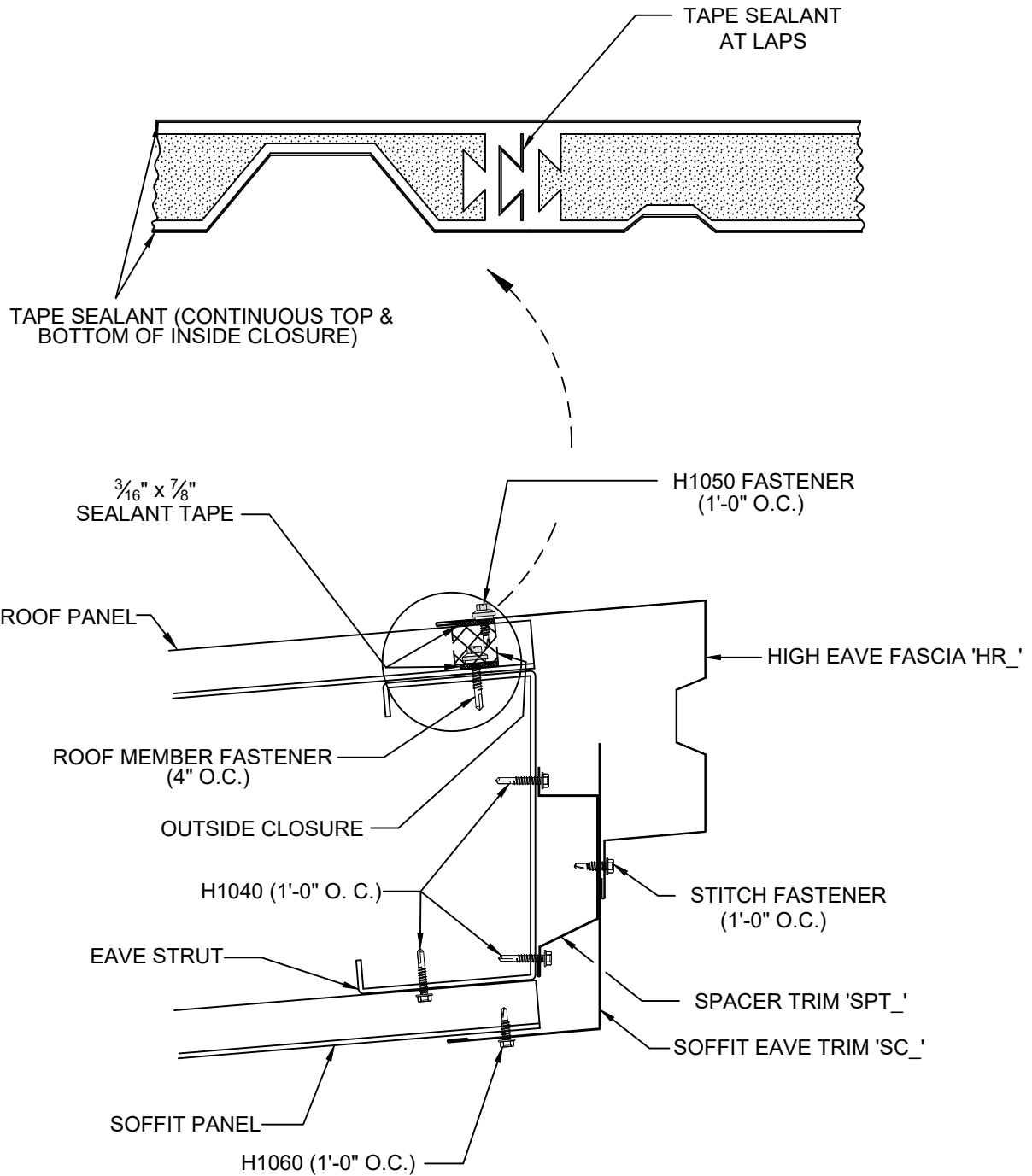
A NUGOR COMPANY

BETTER SOLUTIONS. BETTER BUILDINGS.

PREPARED BY: BKC

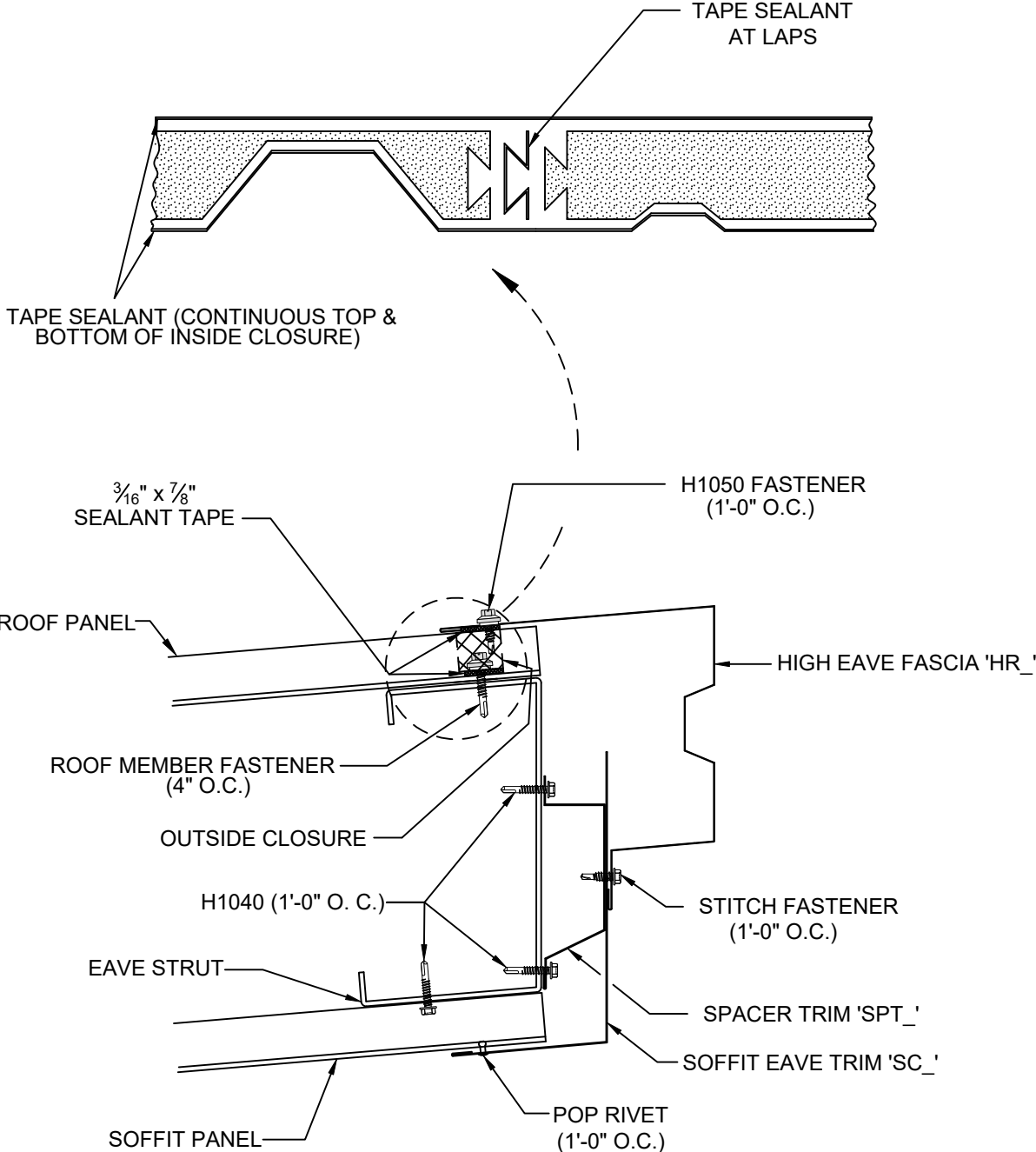
DATE: 4-3-20

DH0071



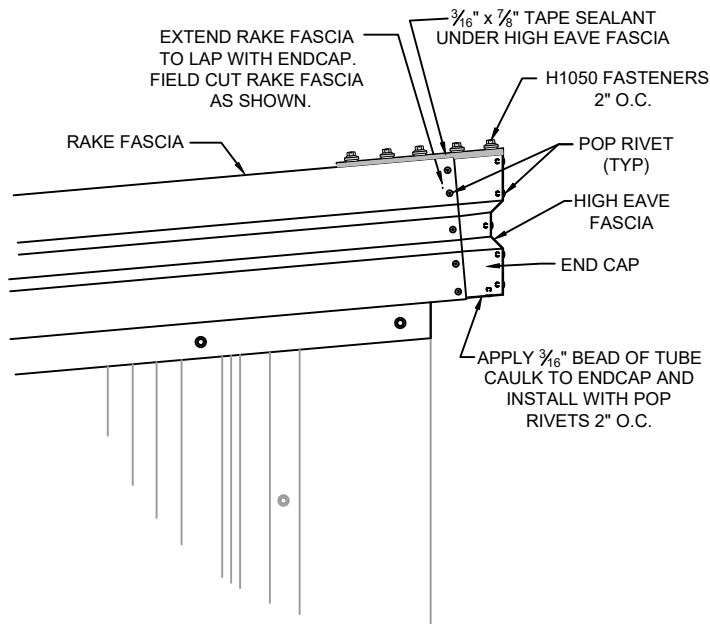
DH0076

OPEN HIGH EAVE SIDEWALL OR RAKE
EXTENSION W/ EAVE FASCIA W/ KR SOFFIT

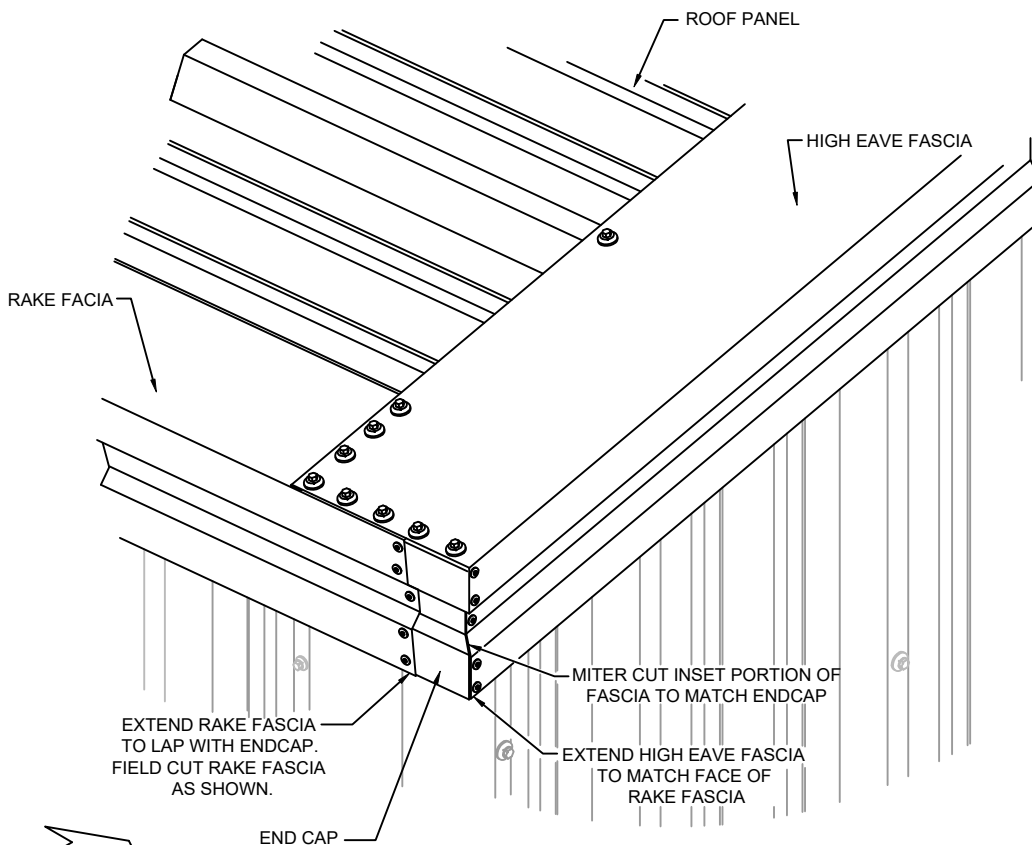


DH0176

OPEN HIGH EAVE SIDEWALL OR RAKE
EXTENSION W/ EAVE FASCIA W/ 1" FLAT SOFFIT



VIEW 'A'



DH0601K

HIGH EAVE FASCIA TO RAKE FASCIA
CORNER DETAIL w/ KIRBY RIB ROOF



BETTER SOLUTIONS. BETTER BUILDINGS.

PREPARED BY: BKC

DATE: 4-3-20

DH0601