

DC0011 - EAVE FACIA w/ WALL PANEL

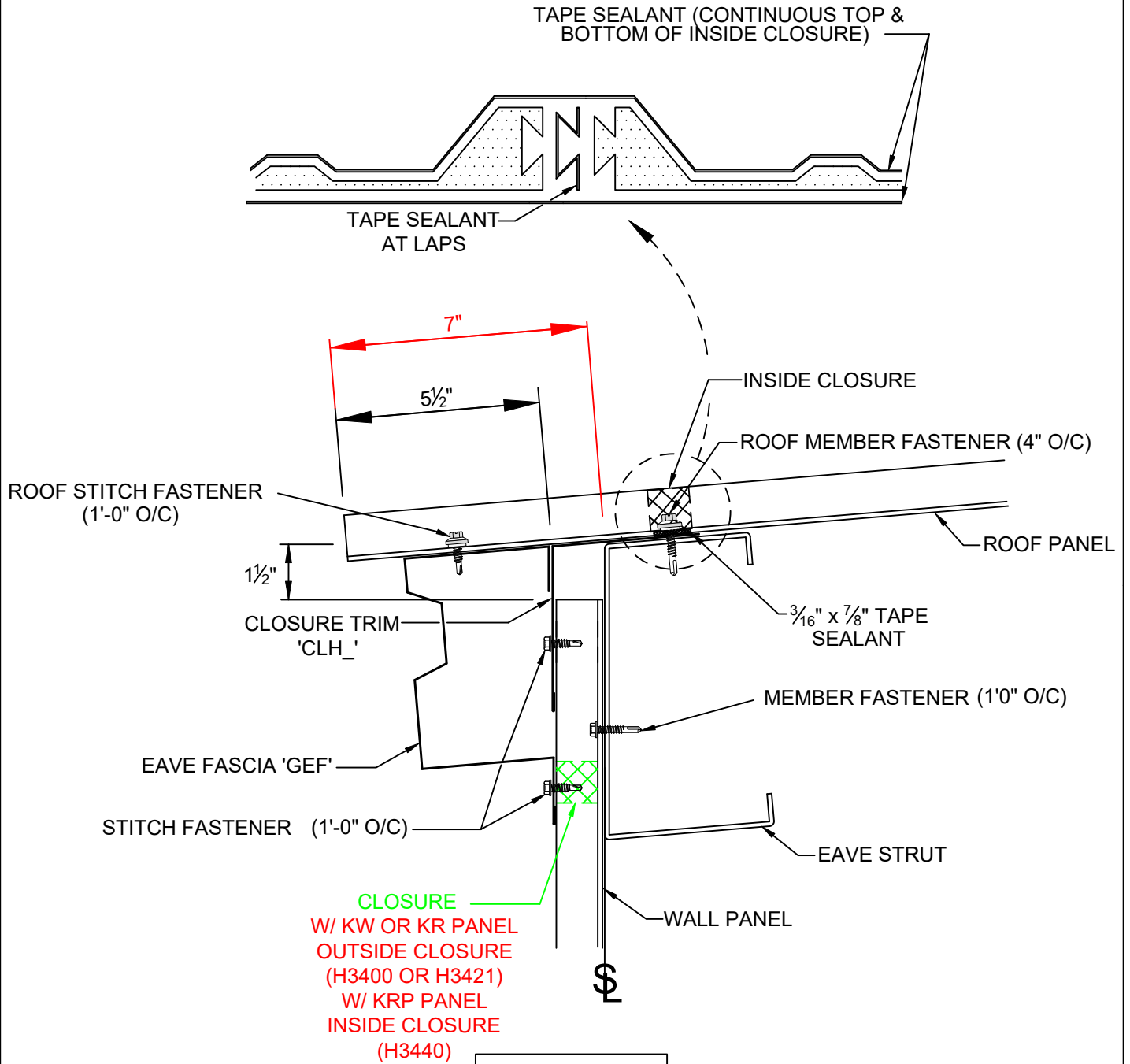
DC0031 - EAVE FACIA OPEN FOR MASONRY/ CONST. BY OTHERS

DC0036 - EAVE FACIA OPEN FOR MASONRY/ CONST. BY OTHERS (NO EAVE STRUT)

DC0071 - OPEN S/W OR RAKE EXT w/ EAVE FASCIA w/o SOFFIT

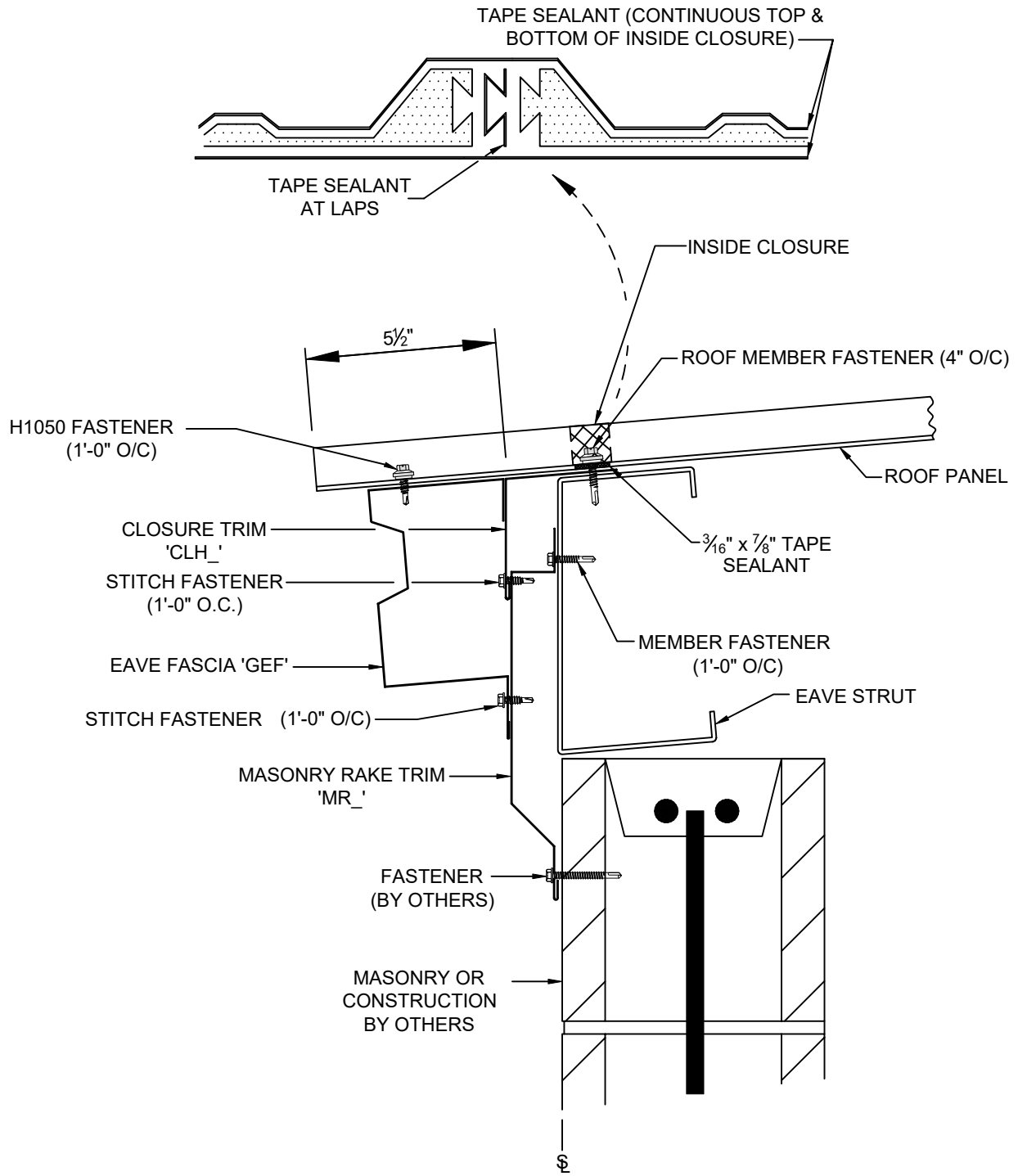
DC0076 - OPEN S/W OR RAKE EXT w/ EAVE FASCIA w/ KR SOFFIT

DC0176 - OPEN S/W, EAVE FASCIA w/ KFS FLAT SOFFIT



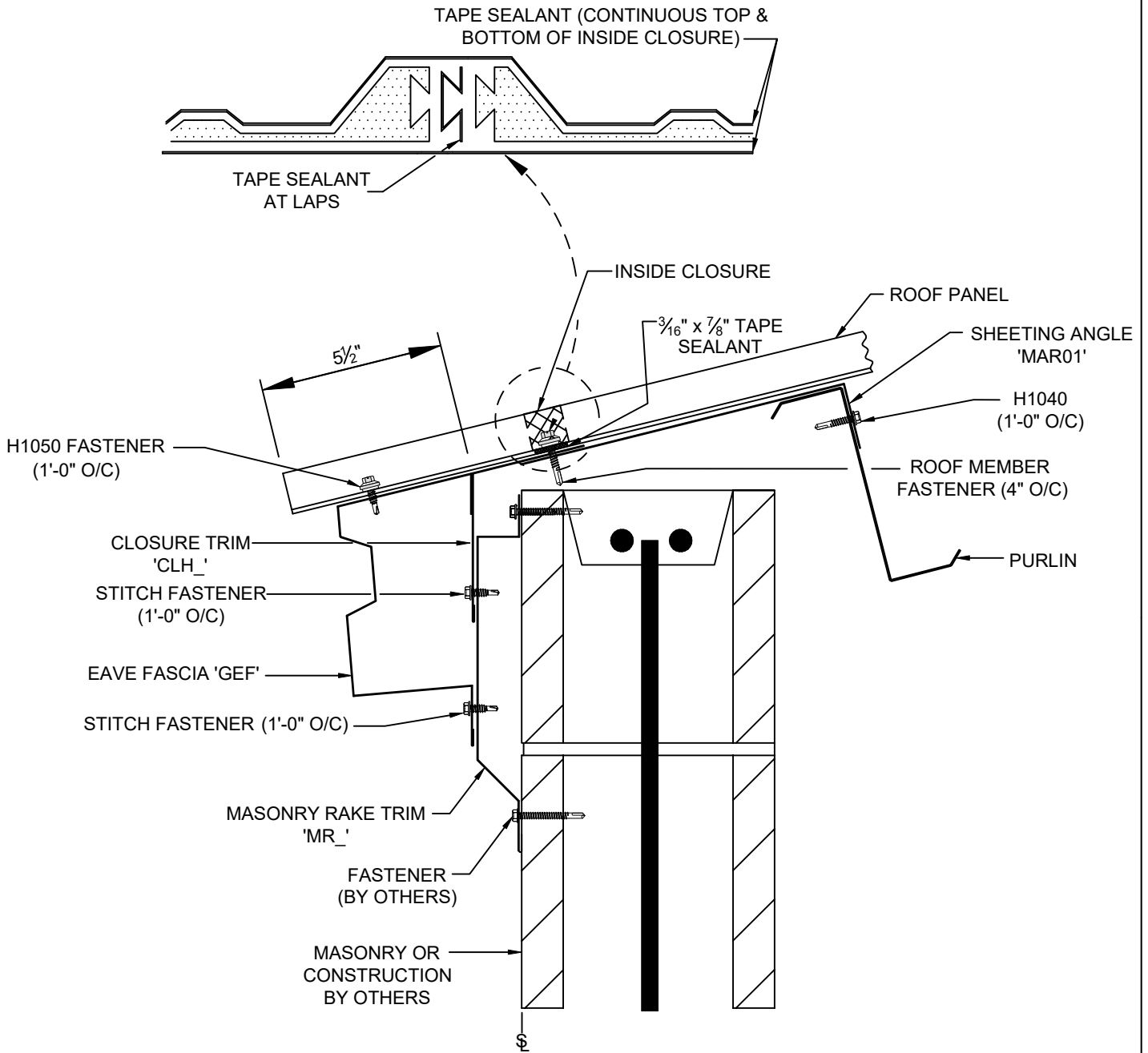
DC0011K

EAVE FASCIA WITH WALL PANEL



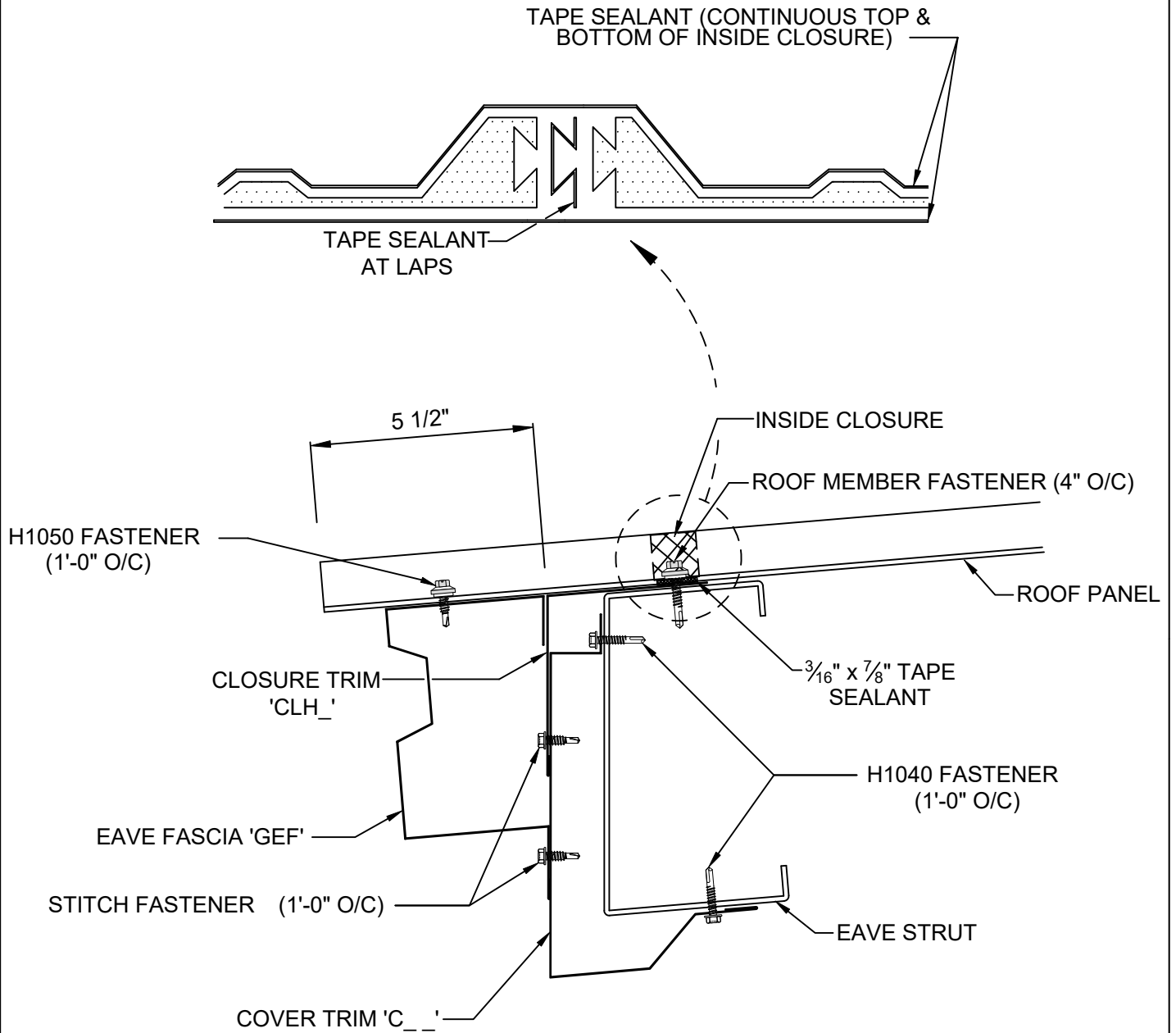
DC0031

RIB ROOF W/ EAVE FASCIA OPEN FOR MASONRY WALL OR CONSTRUCTION BY OTHERS



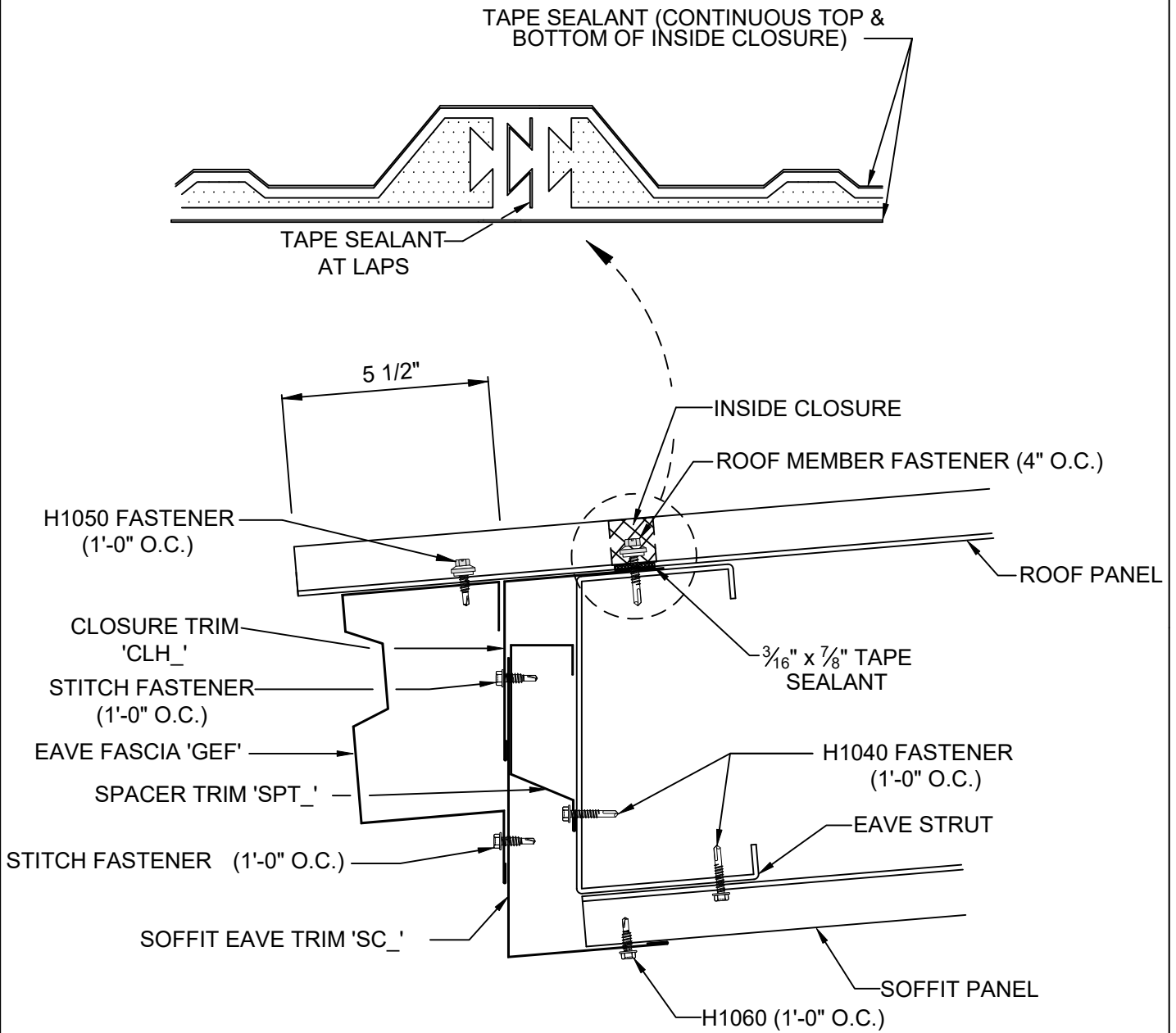
DC0036

KIRBY RIB ROOF W/ EAVE FASCIA TRIM OPEN FOR MASONRY OR CONSTRUCTION OTHERS NO EAVE STRUT



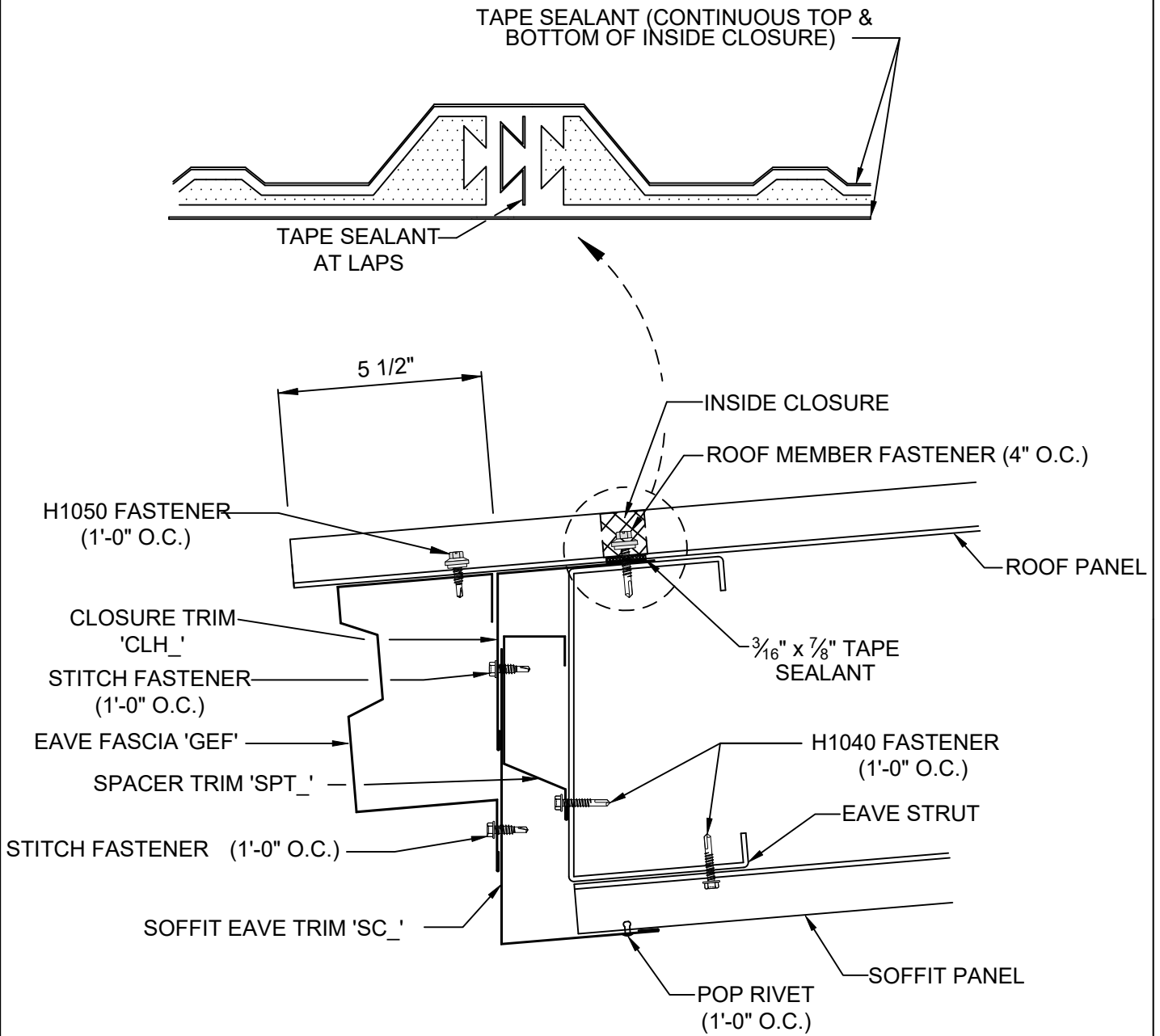
DC0071

OPEN SIDEWALL OR RAKE EXTENSION W/
EAVE FASCIA & KR2 ROOF W/O SOFFIT



DC0076

OPEN SIDEWALL OR RAKE EXTENSION,
EAVE FASCIA & KR2 ROOF W/ KR SOFFIT



DC0176

OPEN SIDEWALL OR RAKE EXTENSION,
EAVE FASCIA & KR2 ROOF W/ 1" FLAT SOFFIT