

DB0011 - SIMPLE EAVE TRIM

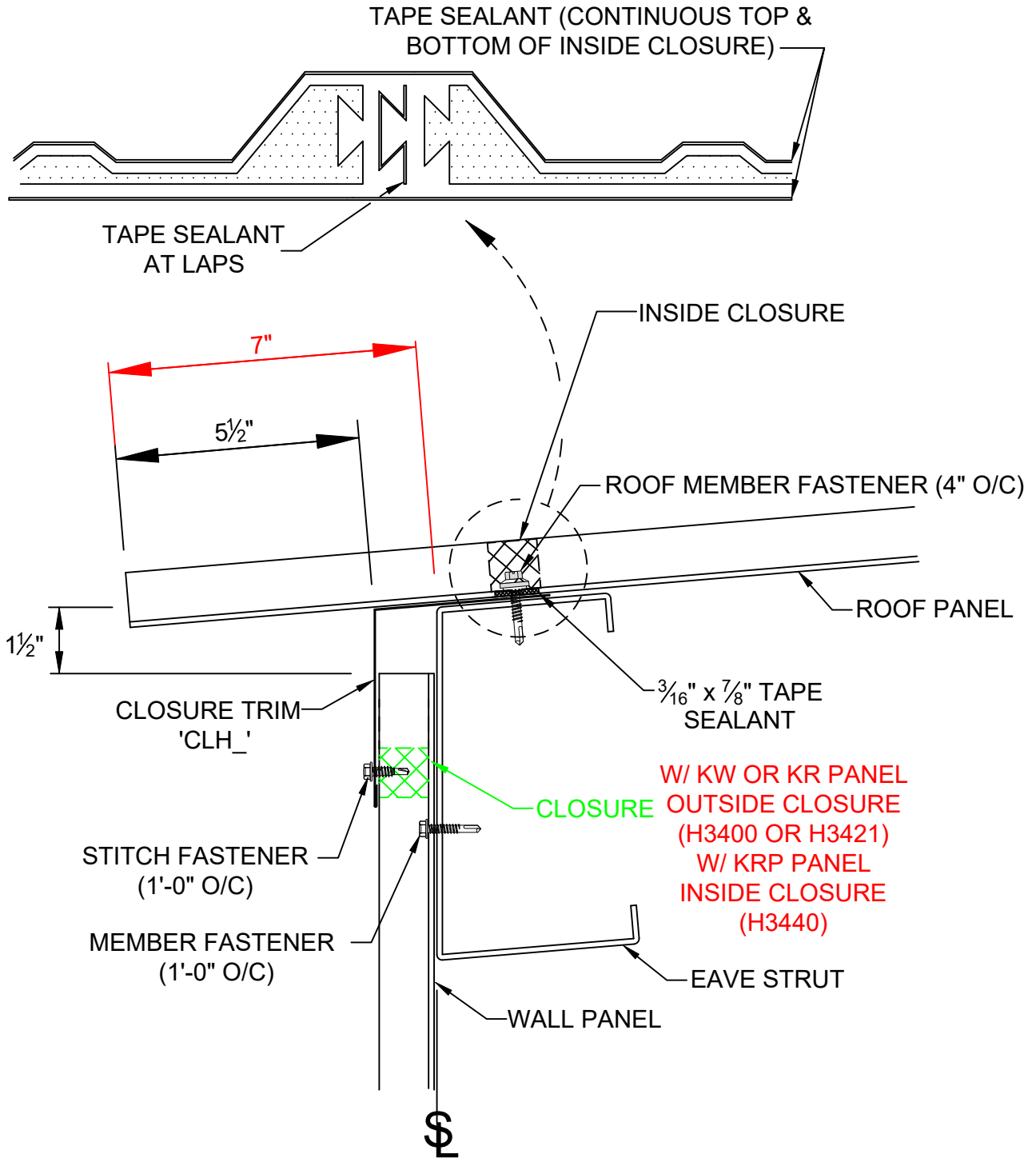
DB0031 - SIMPLE EAVE TRIM OPEN FOR MASONRY/CONST. BY OTHERS

DB0036 - SIMPLE EAVE TRIM OPEN FOR MASONRY/CONST. BY OTHERS (NO EAVE ST
RUT)

DB0071 - OPEN S/W or RAKE EXT w/ SIMPLE EAVE TRIM w/o SOFFIT

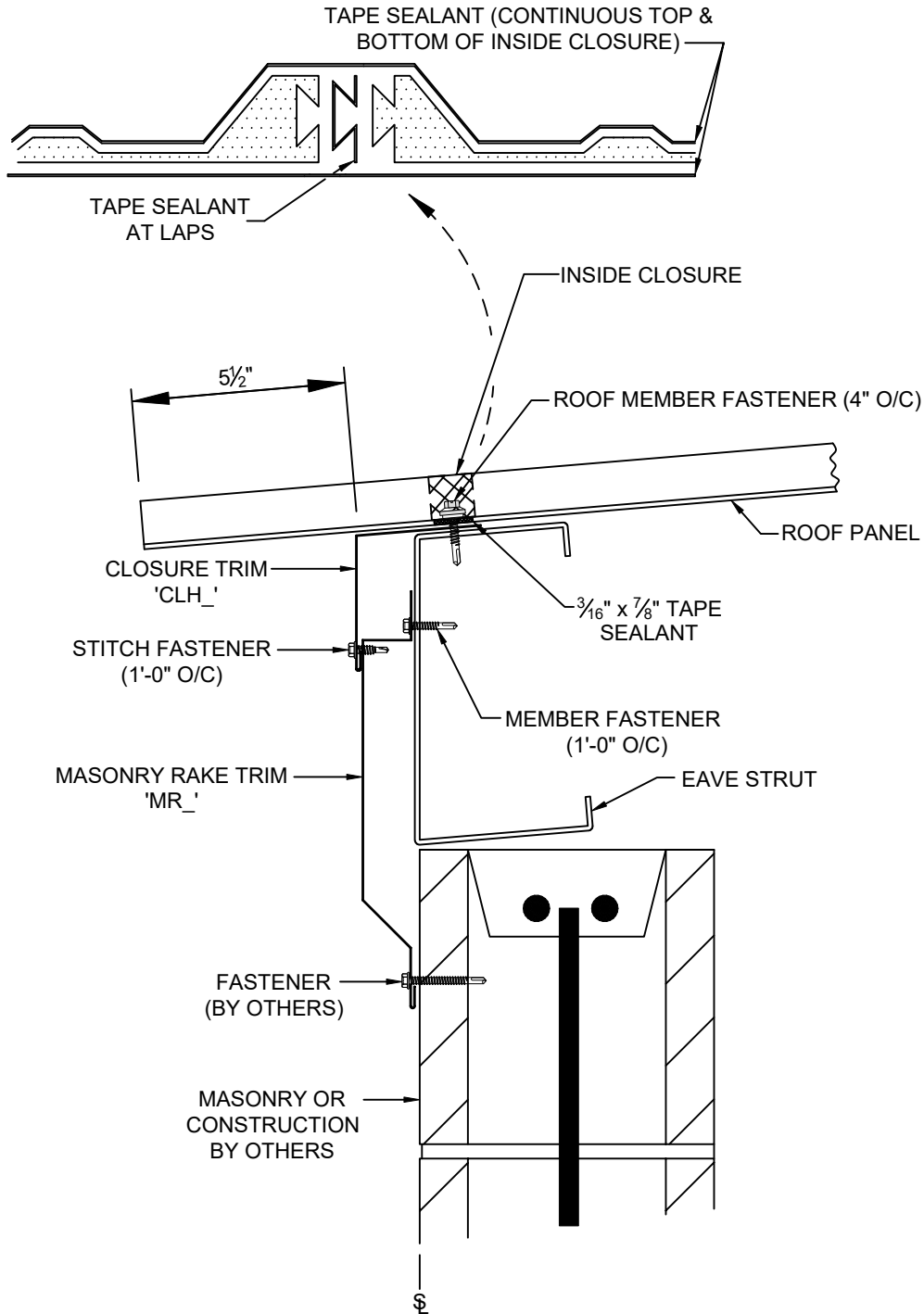
DB0076 - OPEN S/W or RAKE EXT w/ SIMPLE EAVE TRIM w/ KR SOFFIT

DB0176 - OPEN S/W w/ SIMPLE EAVE and 1" FLAT SOFFIT



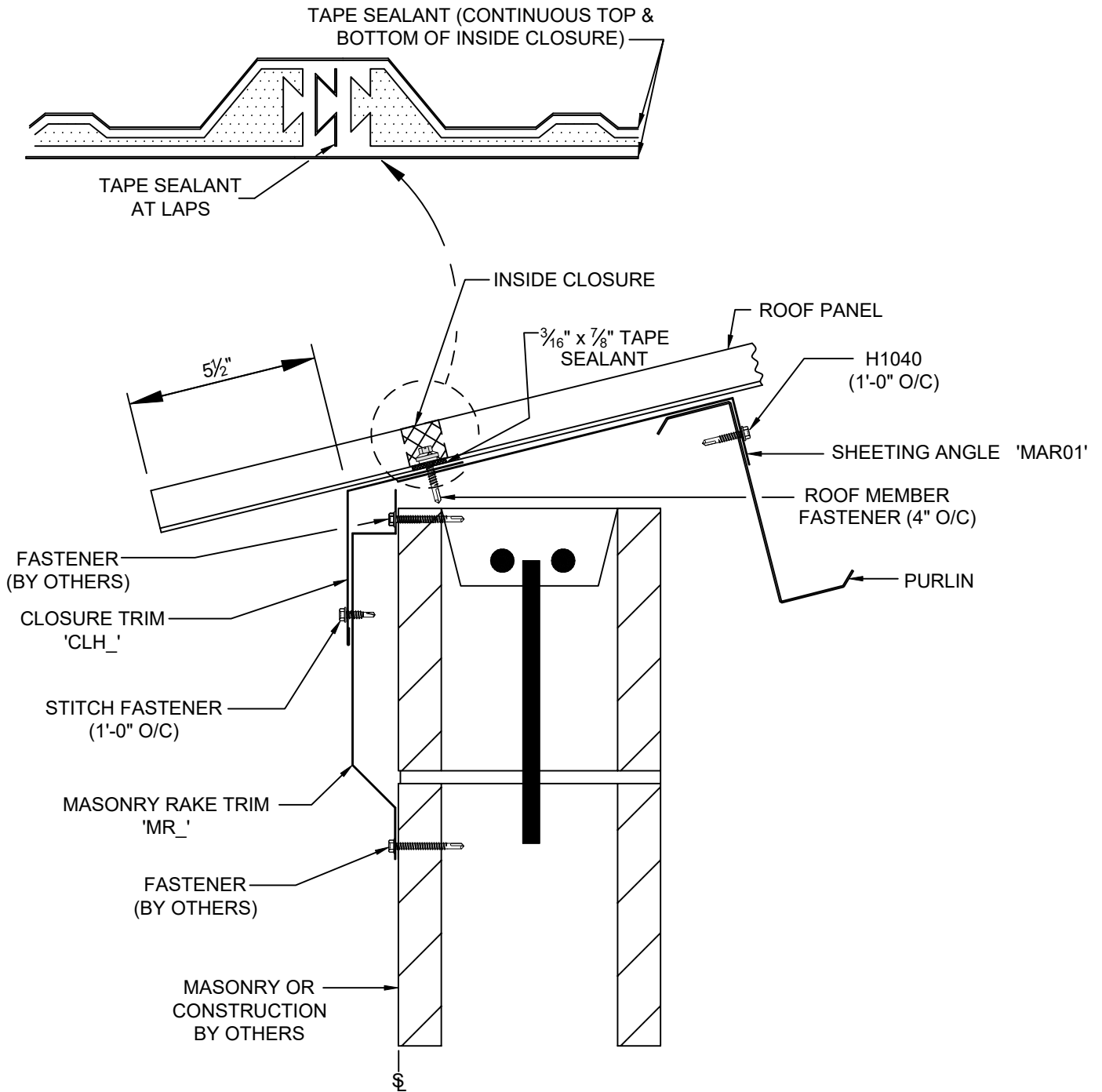
DB0011K

EAVE WITH SIMPLE EAVE TRIM
REPLACES PL104



DB0031

KIRBY RIB ROOF W/ SIMPLE EAVE TRIM
OPEN FOR MASONRY OR
CONSTRUCTION BY OTHERS



DB0036

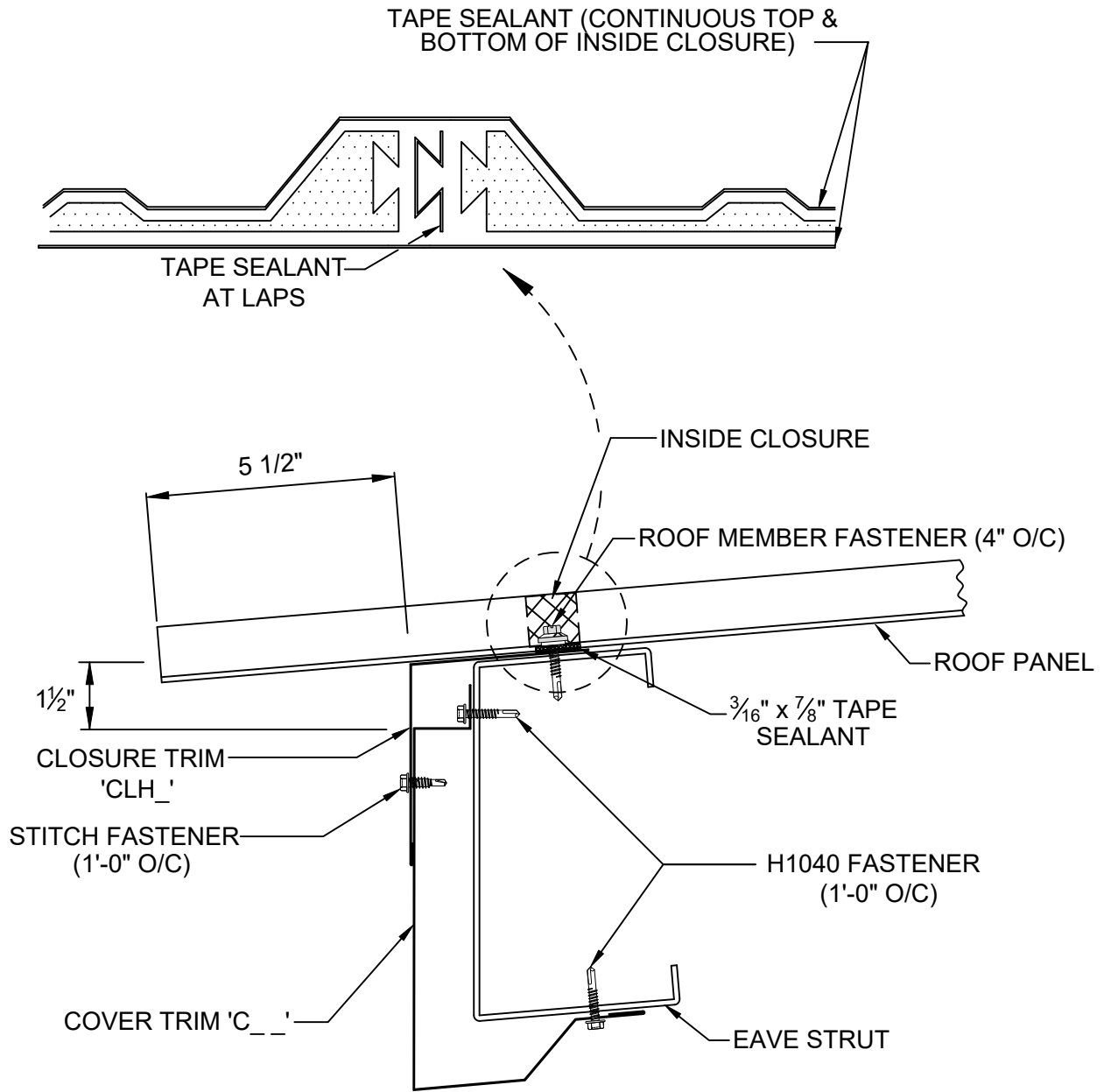
KIRBY RIB ROOF W/ SIMPLE EAVE TRIM OPEN FOR MASONRY OR CONSTRUCTION OTHERS NO EAVE STRUT



PREPARED BY: BKC

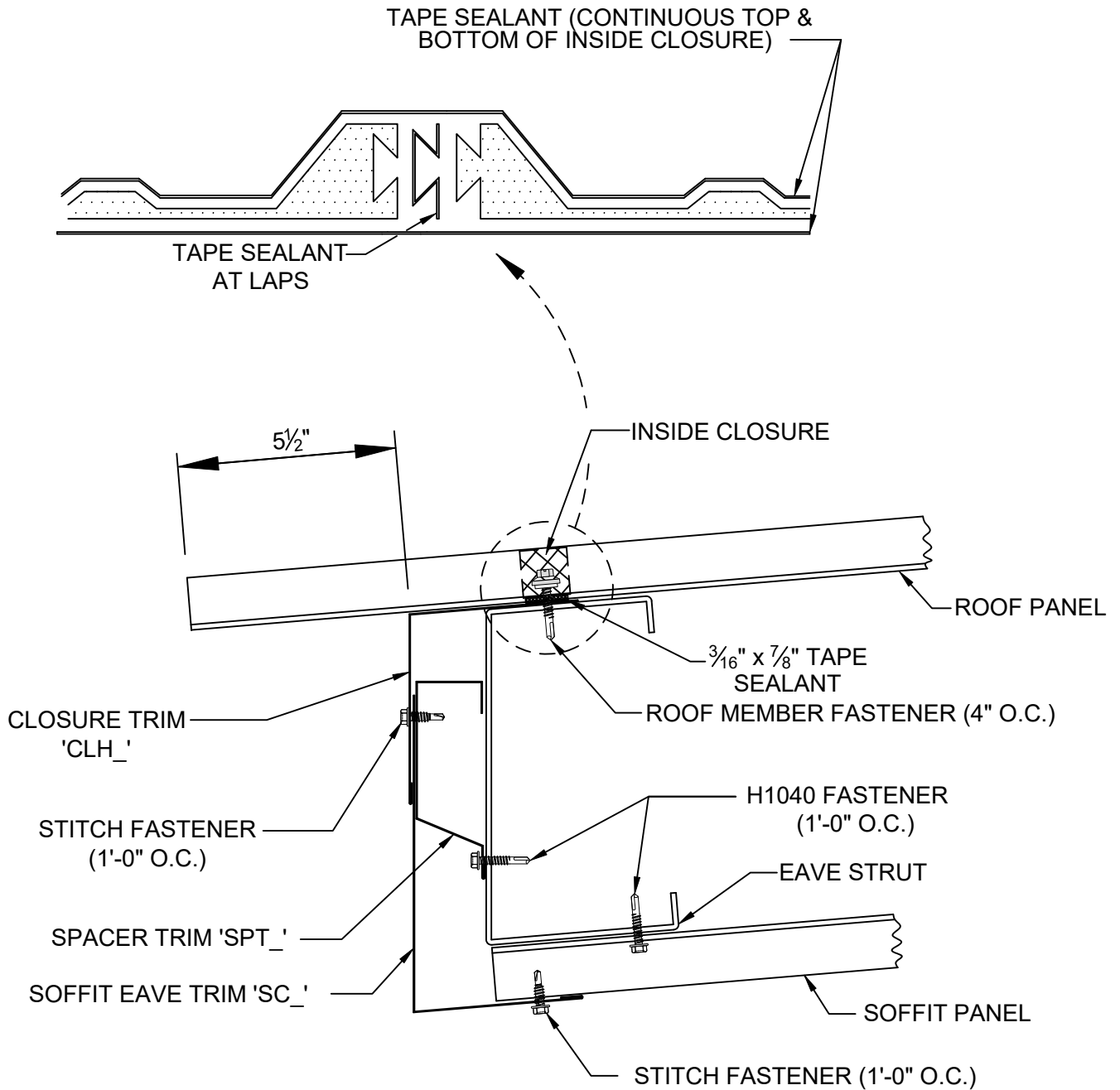
DATE: 4-1-20

DB0036



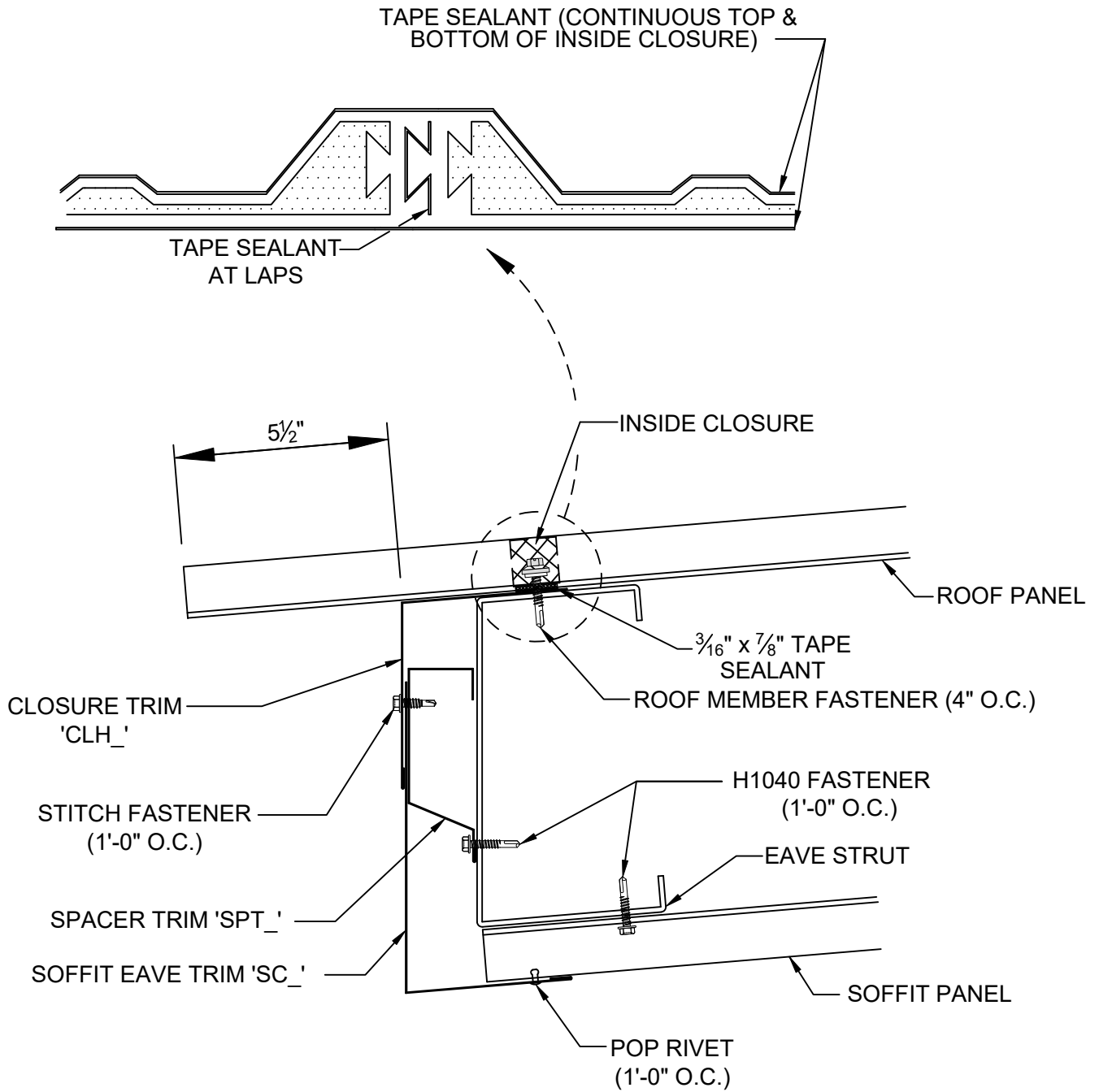
DB0071

OPEN SIDEWALL OR RAKE EXTENSION W/O
EAVE FASCIA & KR2 ROOF W/O SOFFIT



DB0076

KIRBYRIB ROOF W/ SIMPLE EAVE TRIM OPEN WALL W/ KR SOFFIT



DB0176

KIRBYRIB ROOF W/ SIMPLE EAVE TRIM
OPEN WALL W/ 1" FLAT SOFFIT