

CD0011 - Cee Corner Column W/ Flush Endwall Girts

CD3012 - "I" Shaped Corner Column w/ Flush Endwall Girts

CD3010 - Main Frame Column W/ Flush Sidewall Girts

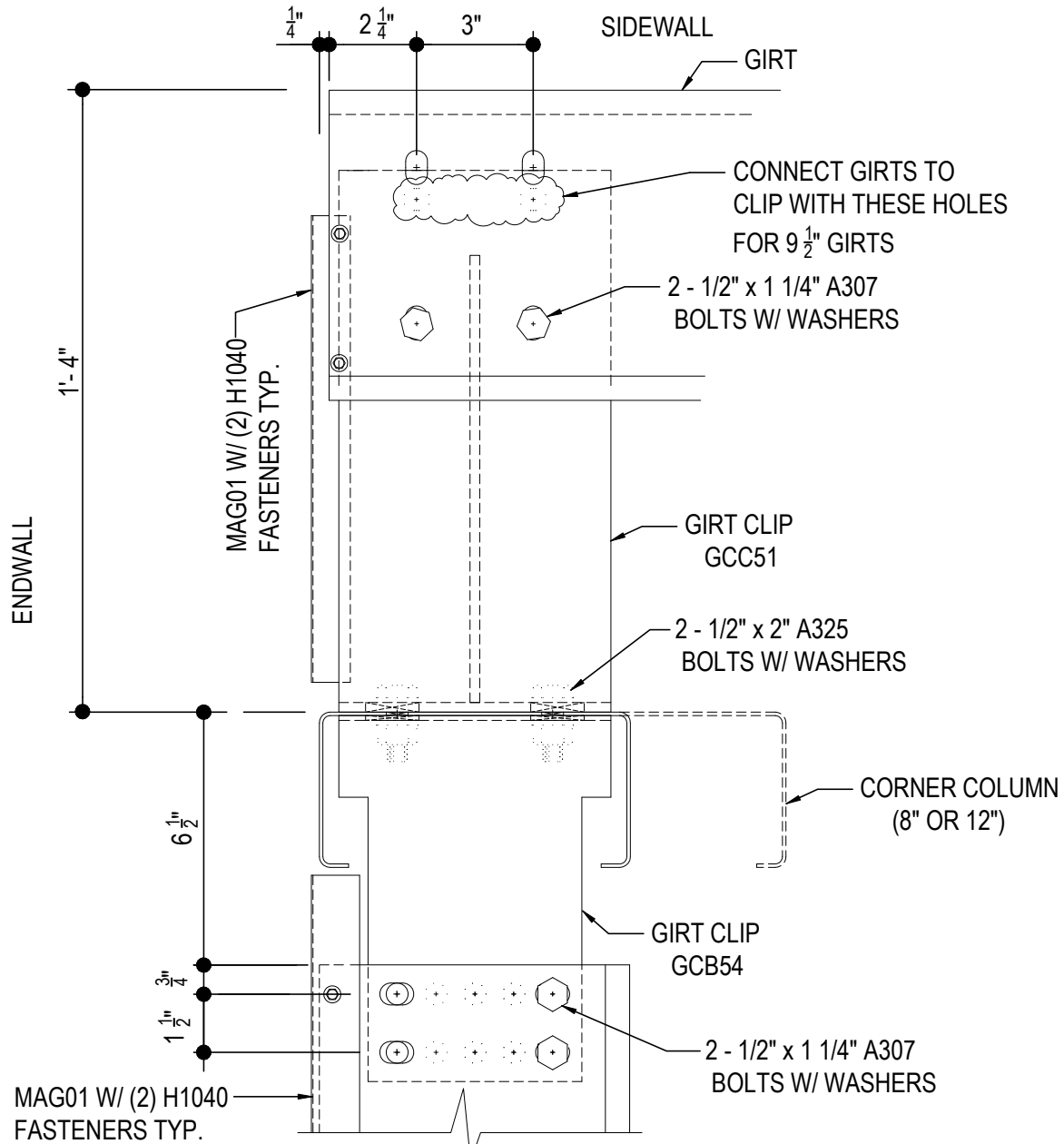
CD1013 - Main Frame Column W/ Flush Open Sidewall

**---OLD PRODUCT---**

CD0012 - "I" Shaped Corner Column w/ Flush Endwall Girts

---

CD0011 - CEE CORNER COLUMN W/ FLUSH ENDWALL GIRTS



## FLUSH GIRT TO CEE CORNER COLUMN

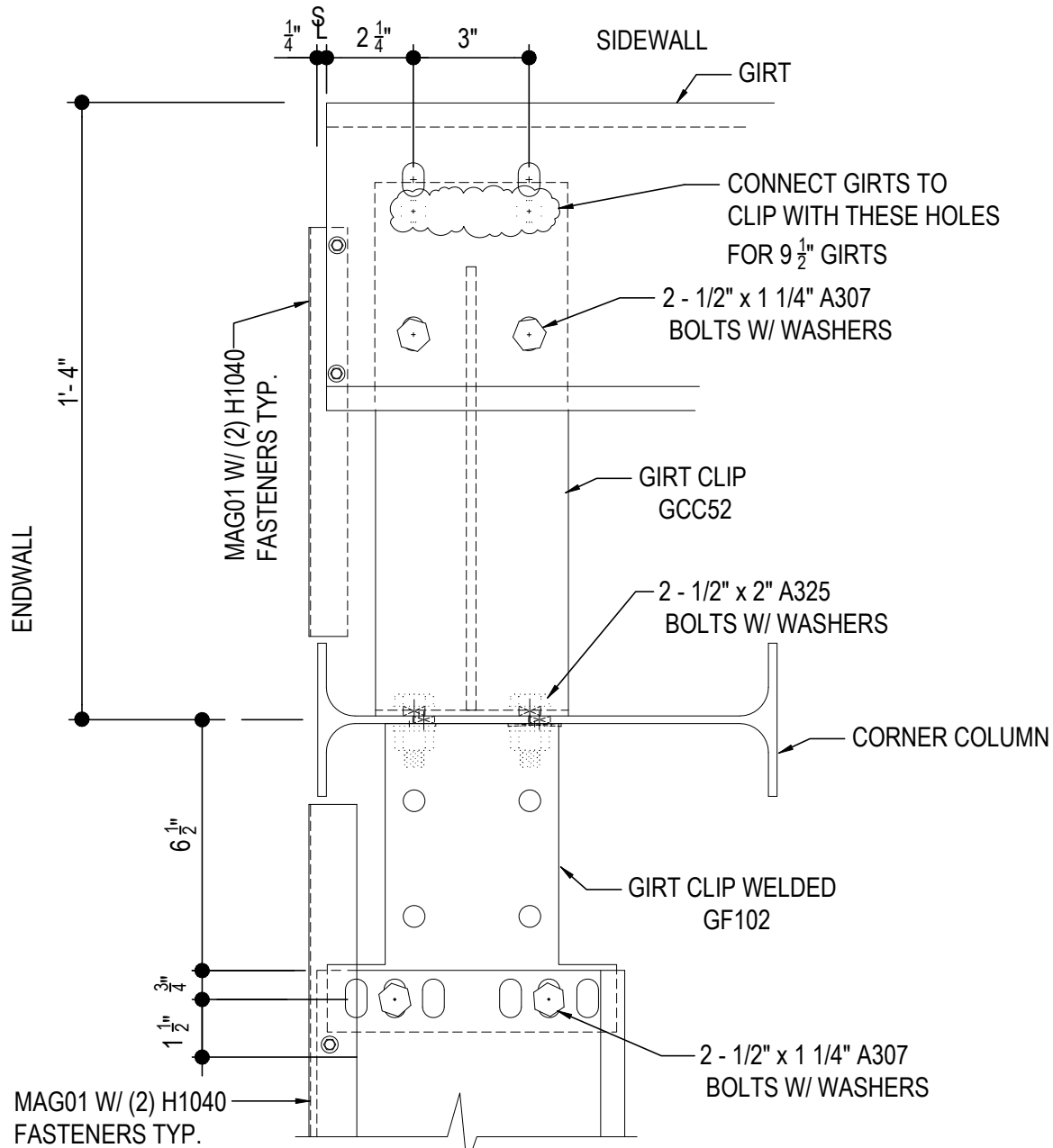
**CD0011**

CEE CORNER COLUMN W/ FLUSH ENDWALL GIRTS  
REFERENCE A00010 FOR WASHER REQUIREMENTS

Detailer Notes:

- 1) N/A

CD3012 - I SHAPED CORNER COLUMN W/ FLUSH ENDWALL GIRTS



## FLUSH GIRT TO I SHAPED CORNER COLUMN

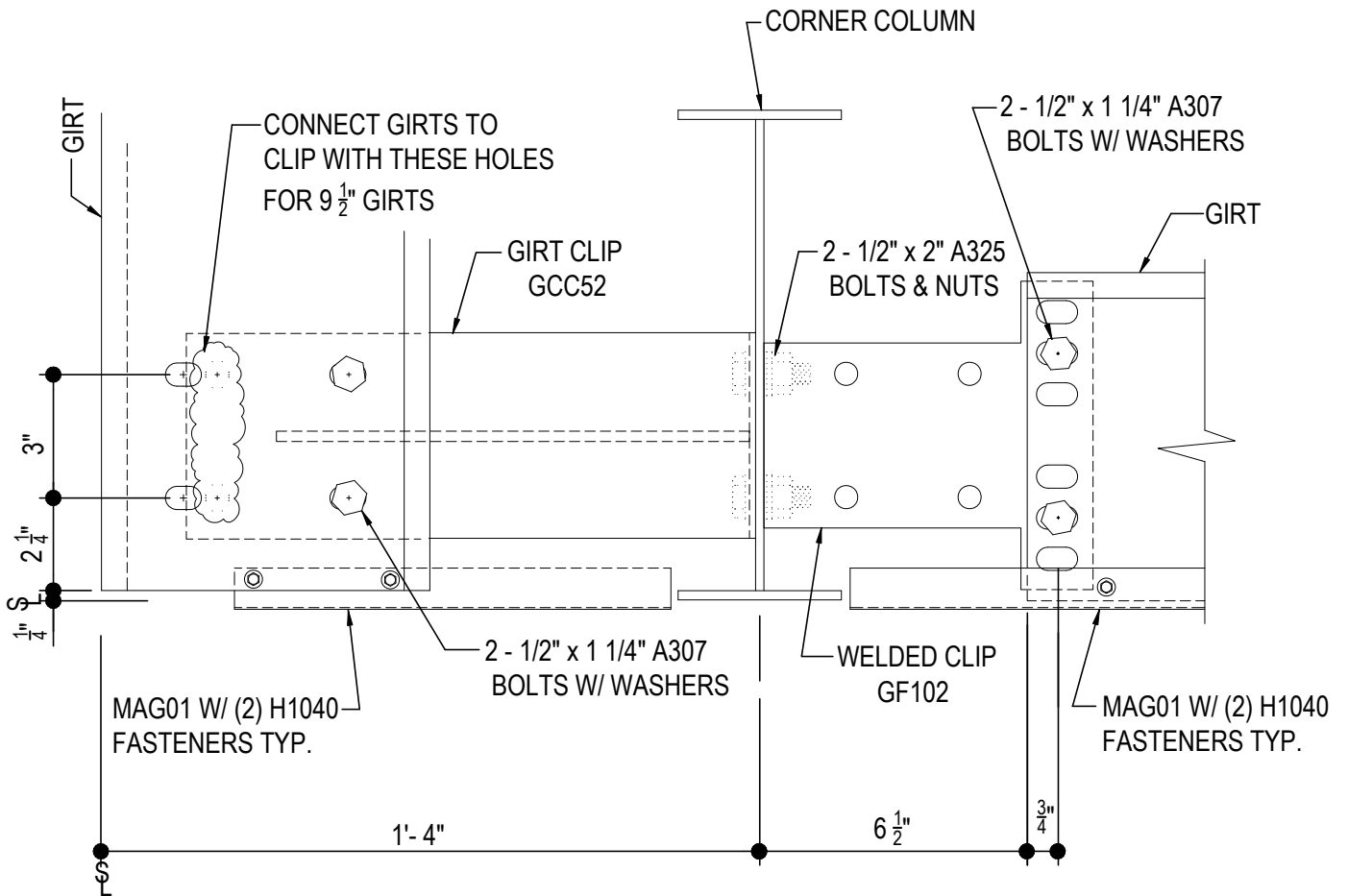
I SHAPED CORNER COLUMN W/ FLUSH ENDWALL GIRTS  
REFERENCE A00010 FOR WASHER REQUIREMENTS

**CD3012**

Detailer Notes:

- 1) N/A

CD3010 - MAIN FRAME CORNER COLUMN W/ FLUSH ENDWALL GIRTS



## FLUSH GIRT TO MAIN FRAME COLUMN

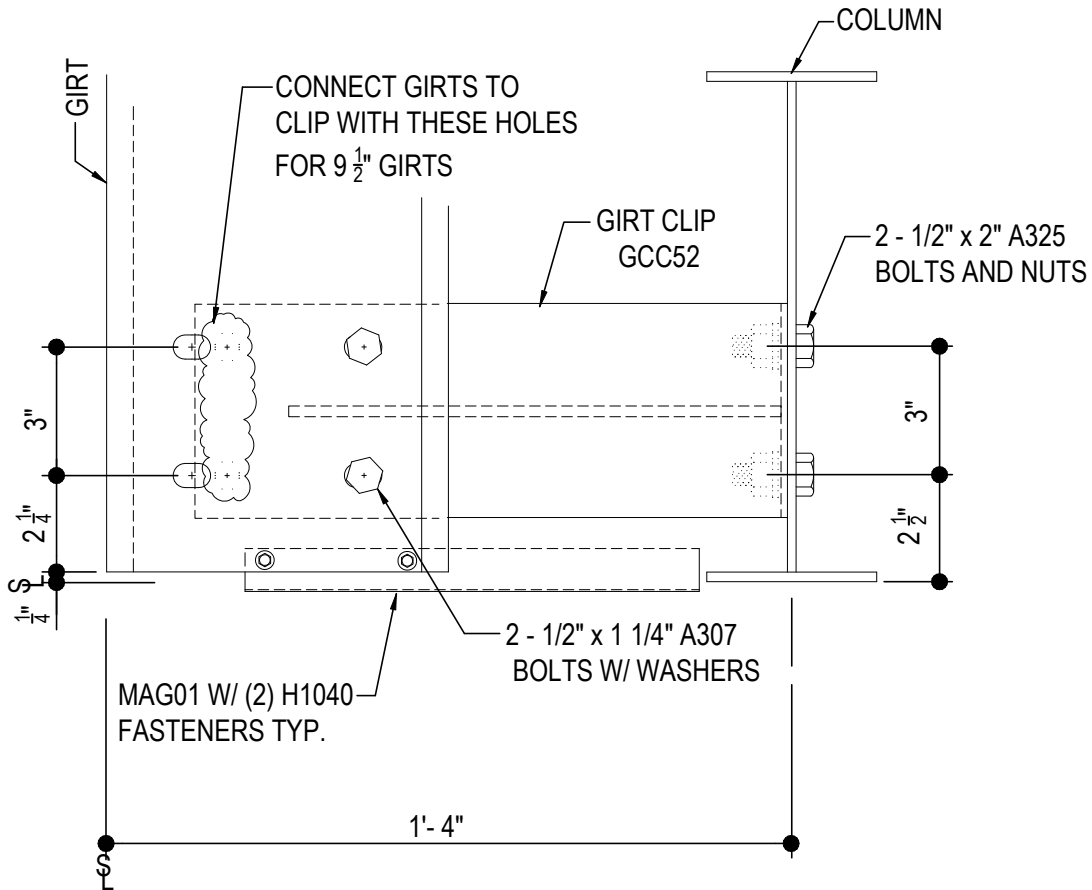
MAIN FRAME CORNER COLUMN W/ FLUSH ENDWALL GIRTS  
REFERENCE A00010 FOR WASHER REQUIREMENTS

**CD3010**

Detailer Notes:

- 1) N/A

CD1013 - MAIN FRAME COLUMN W/ FLUSH ENDWALL GIRTS



## FLUSH GIRT TO MAIN FRAME COLUMN

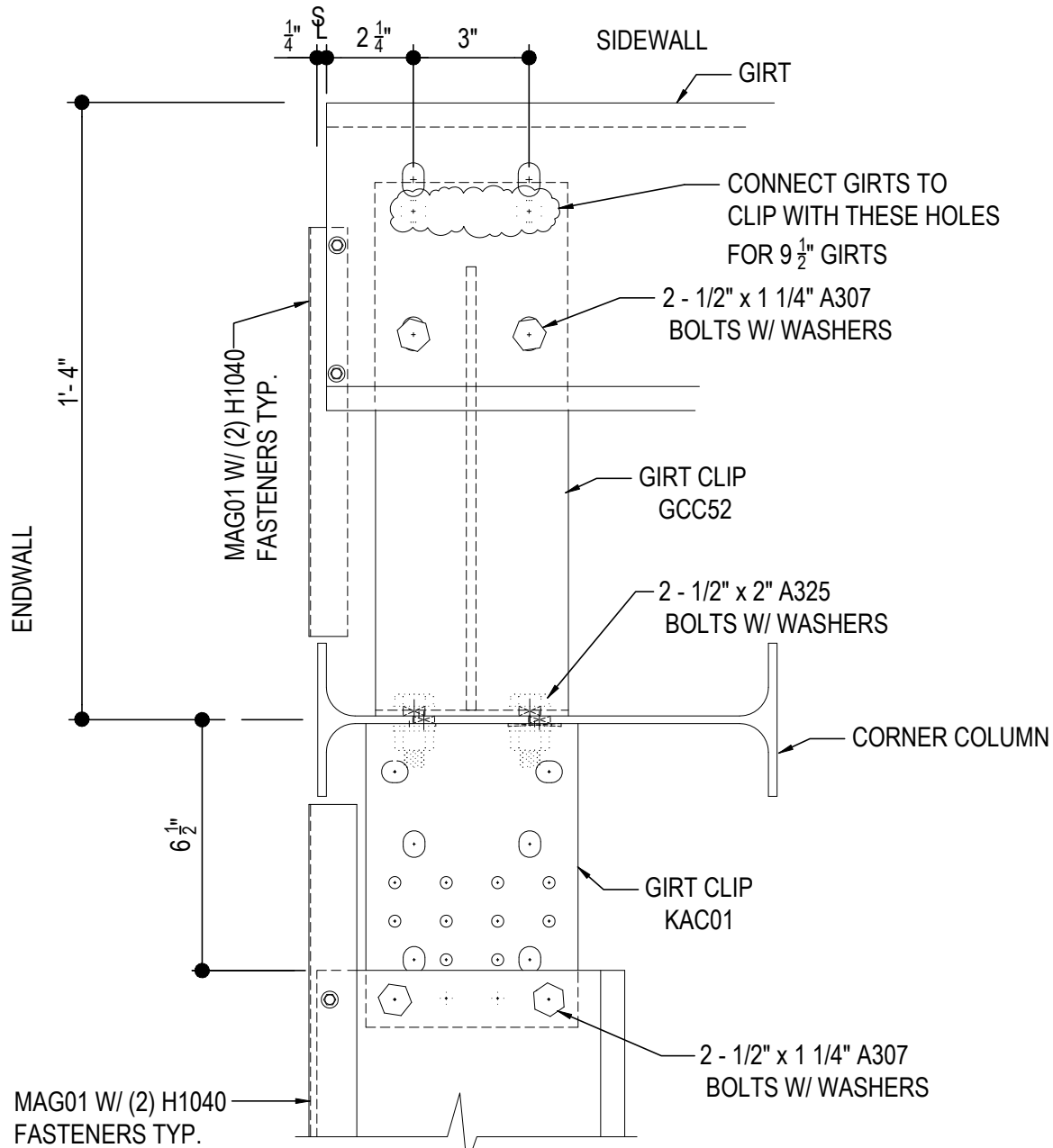
MAIN FRAME COLUMN W/ OPEN SIDEWALL  
REFERENCE A00010 FOR WASHER REQUIREMENTS

CD1013

Detailer Notes:

- 1) N/A

CD0012 - I SHAPED CORNER COLUMN W/ FLUSH ENDWALL GIRTS



## FLUSH GIRT TO CEE CORNER COLUMN

I SHAPED CORNER COLUMN W/ FLUSH ENDWALL GIRTS  
REFERENCE A00010 FOR WASHER REQUIREMENTS

**CD0012**

Detailer Notes:

- 1) N/A