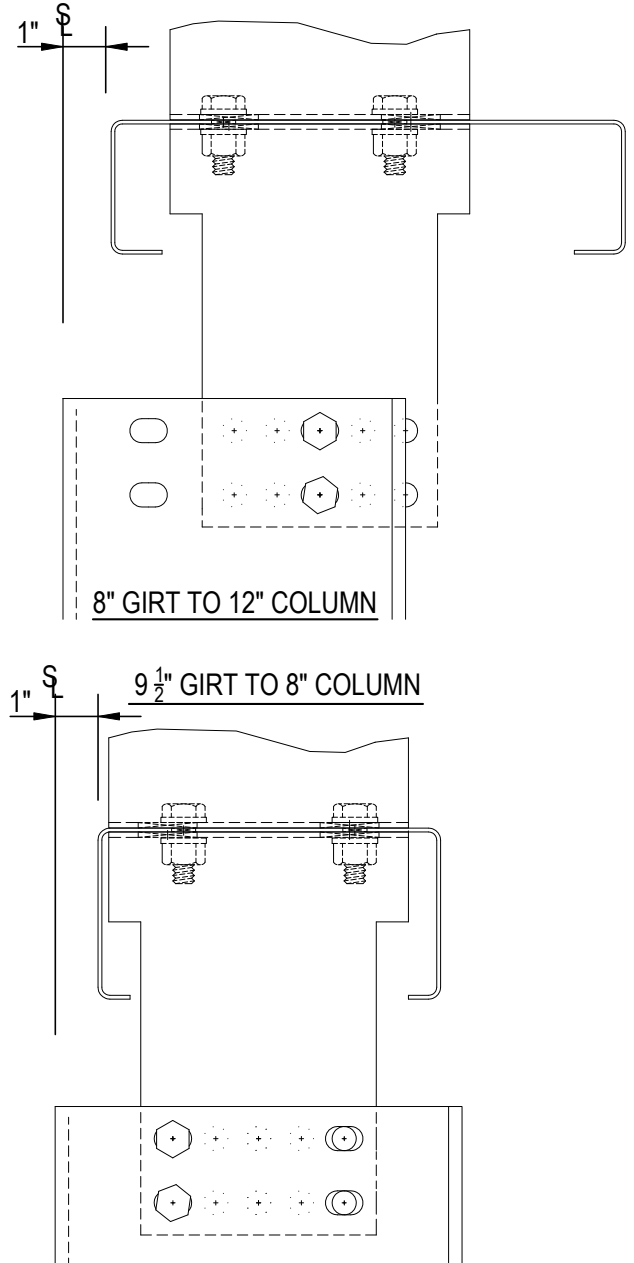
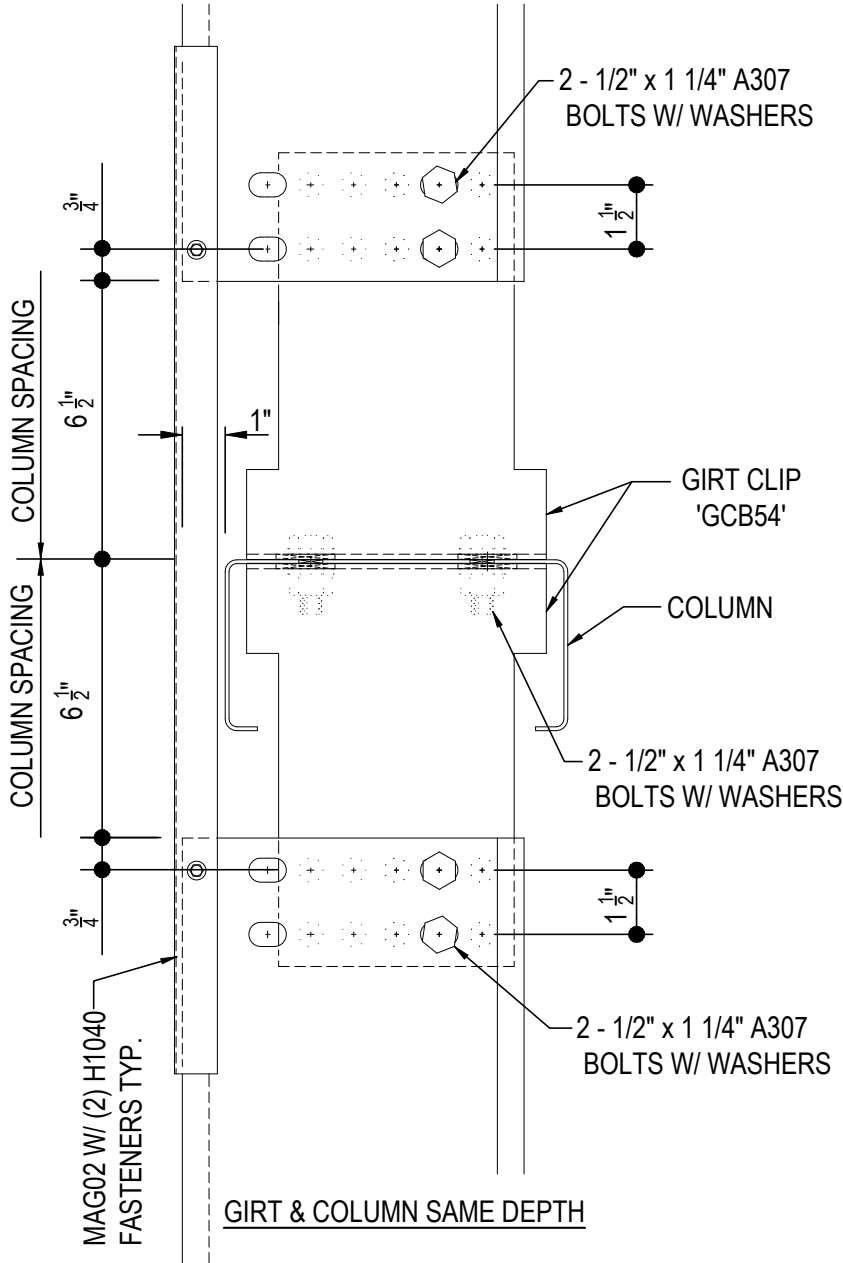


- CB0010 - Inset Girt to Cee Endwall Column
- CB2001 - Inset Girt to "I" Shape Rafter
- CB2011 - Inset Girt to Cee Rafter

CB0010 - INSET GIRT TO E'WALL COLUMN



INSET GIRT TO CEE E'WALL COLUMN

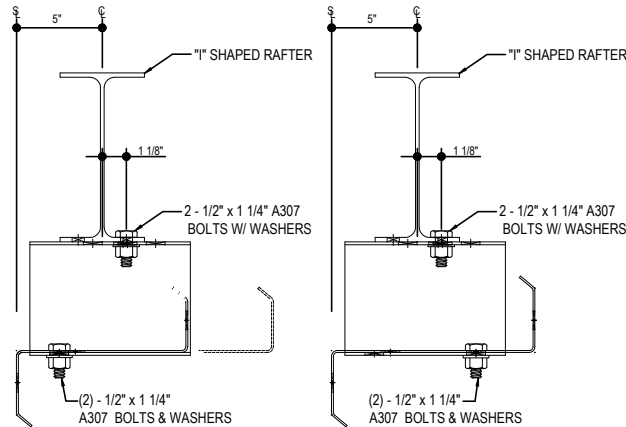
INSET GIRT CONNECTION TO CEE COLUMN CONNECTION
REFERENCE A00010 FOR WASHER REQUIREMENTS

CB0010

Detailer Notes:

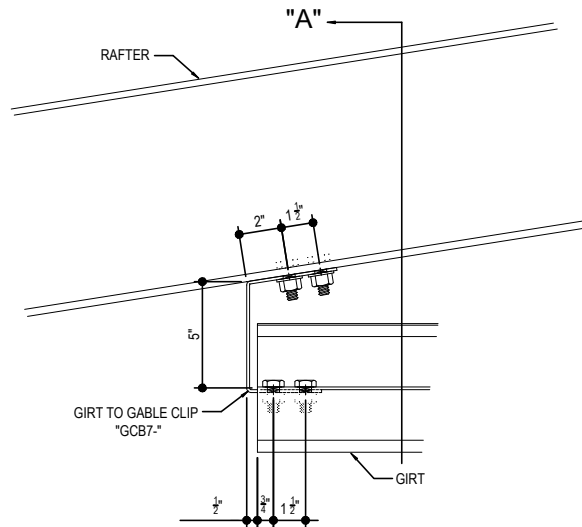
- 1) N/A

CB2001 - INSET GABLE GIRT TO "I" RAFTER



SECTION "A"
w/ 8" or 12" GIRTS

SECTION "A"
w/ 9" GIRTS



INSET GABLE GIRT TO "I" RAFTER CONNECTION

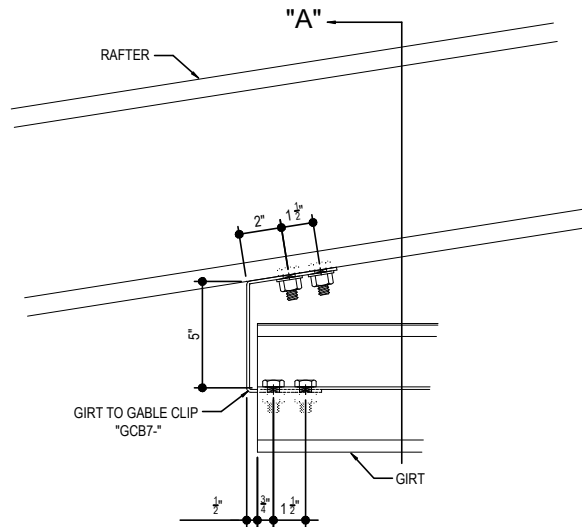
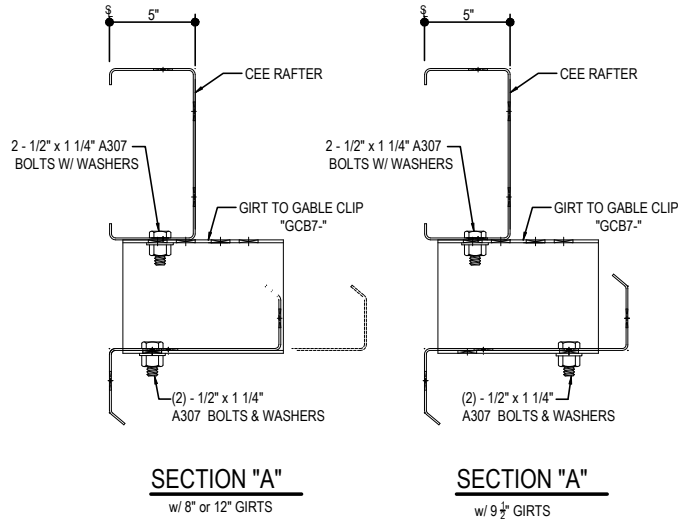
INSET GIRT TO CEE RAFTER W/ GCB7- CLIP
REFERENCE A00010 FOR WASHER REQUIREMENTS

CB2001

Detailer Notes:

- 1) N/A

CB2011 - INSET GABLE GIRT TO CEE RAFTER



INSET GABLE GIRT TO CEE RAFTER CONNECTION

INSET GIRT TO CEE RAFTER W/ GCB7- CLIP
REFERENCE A00010 FOR WASHER REQUIREMENTS

CB2011

Detailer Notes:

- 1) N/A