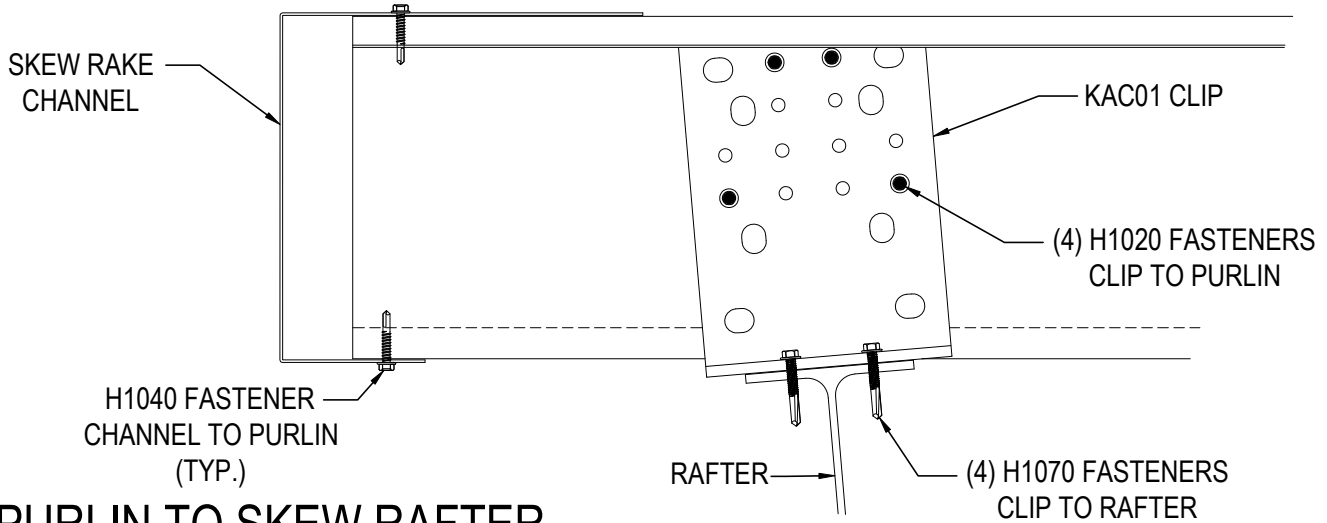
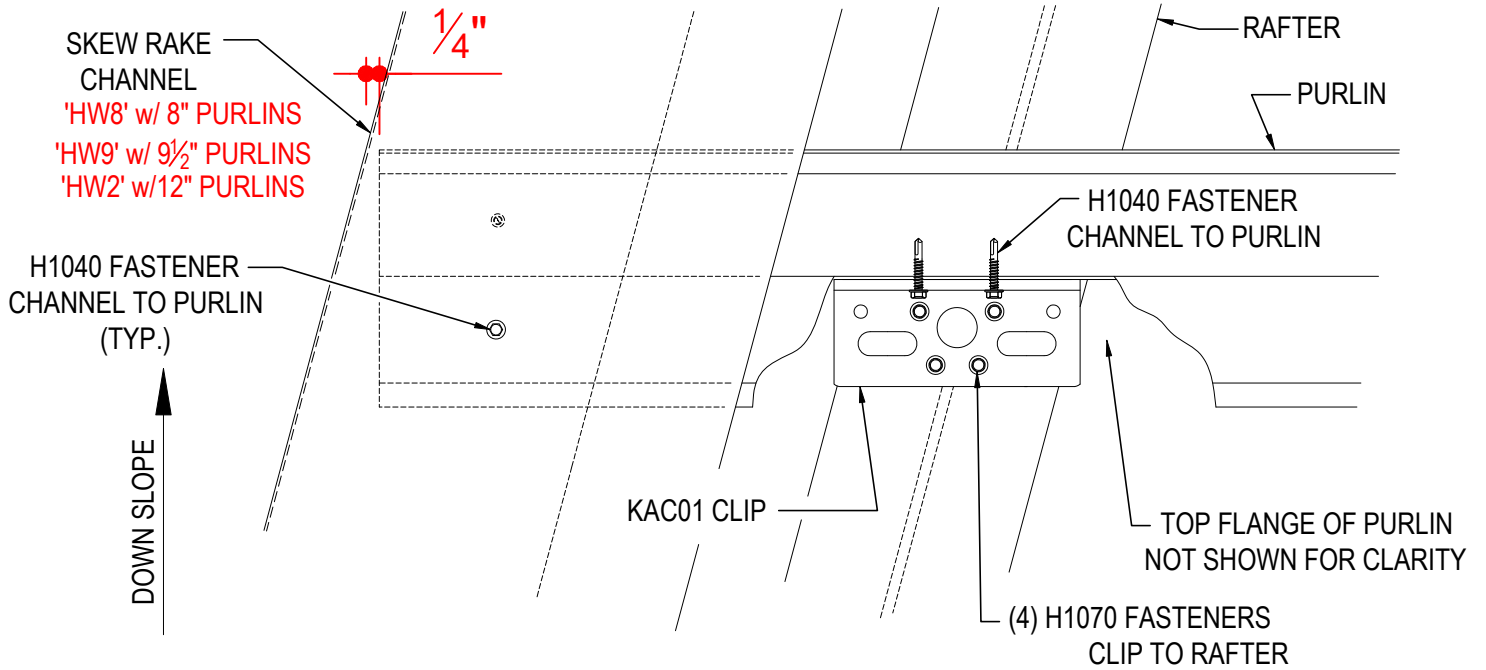


BD0200 - Purlin at Skew Rafters

BD0200 - PURLIN CONNECTION TO SKEW RAFTER



PURLIN TO SKEW RAFTER

PURLIN CONNECTION TO SKEW RAFTERS

BD0200

Detailer Notes:

- 1) N/A