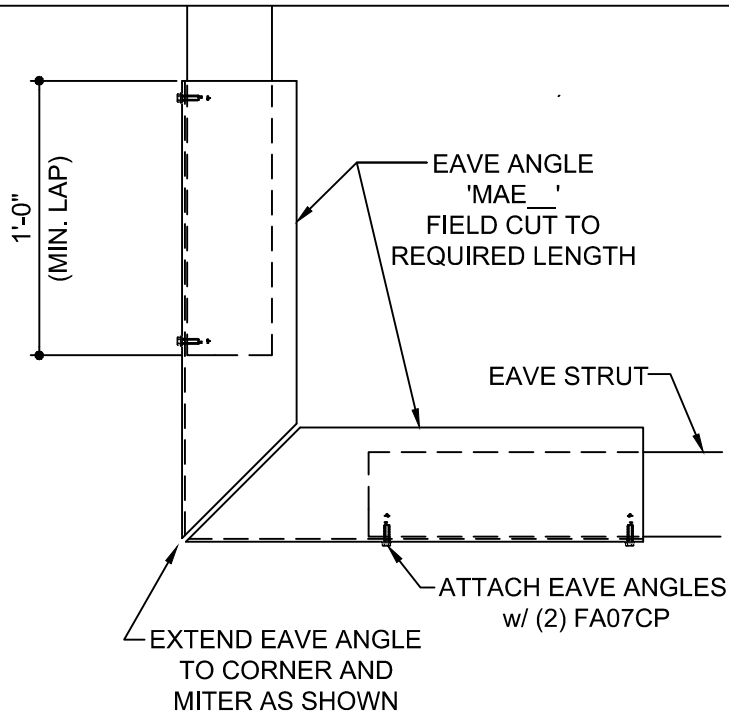
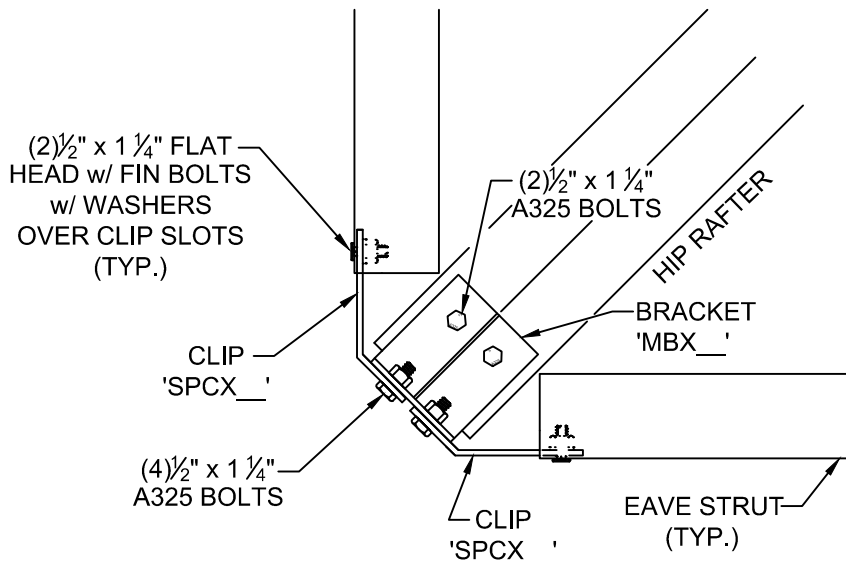


- BA0303 - ES at Hip Rafter
- BA0306 - Eave Angle at Hip
- BA0341 - Reverse Purlin w/ Eave Angle

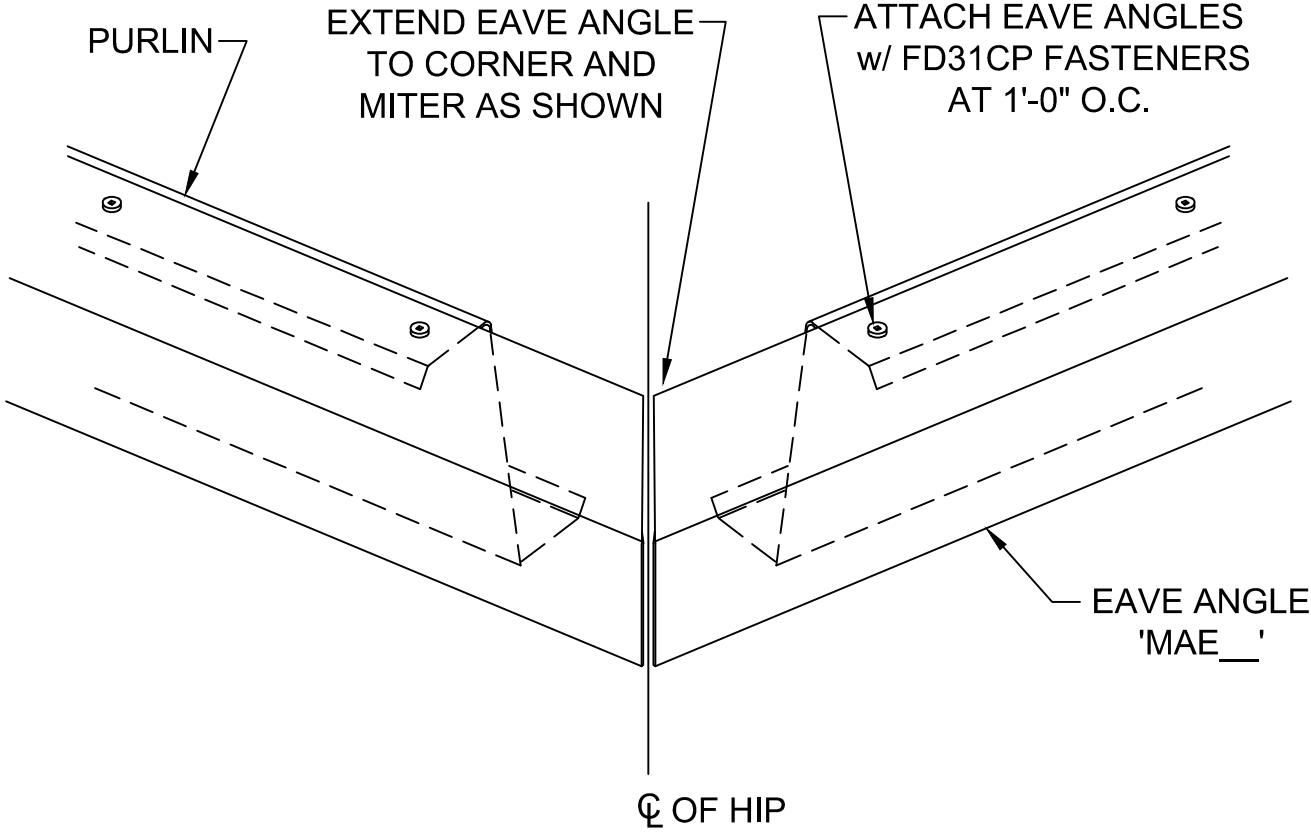


EAVE ANGLES AT HIP CORNER



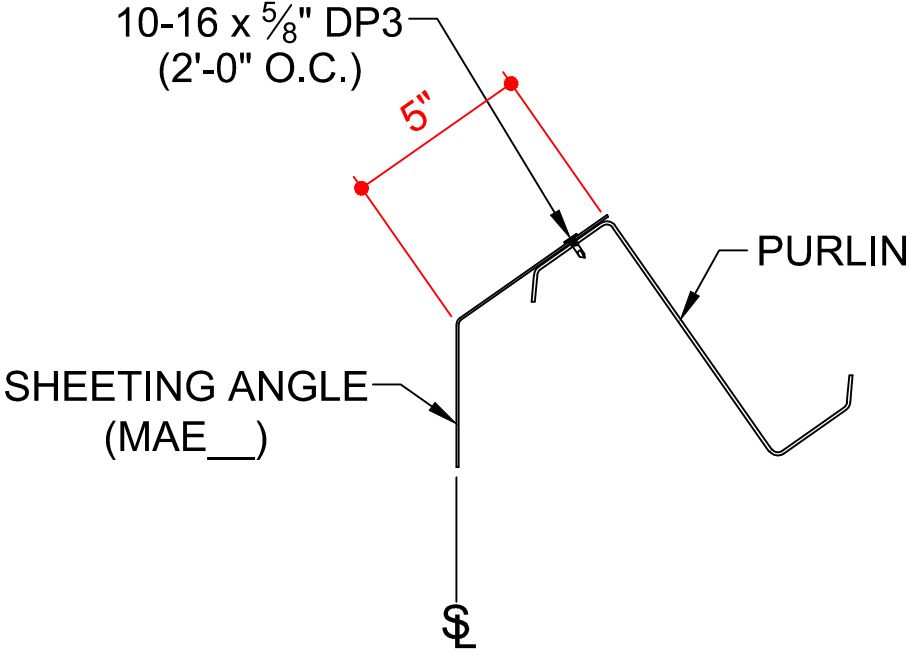
BA0303K

**EAVE STRUT CONNECTION
AT HIP RAFTER
Replaces PR374**



BA0306 K

EAVE ANGLE ATTACHMENT AT HIP



BA0341K

REVERSE PURLIN w/ EAVE ANGLE
USED FOR ROOF SLOPES >4:12