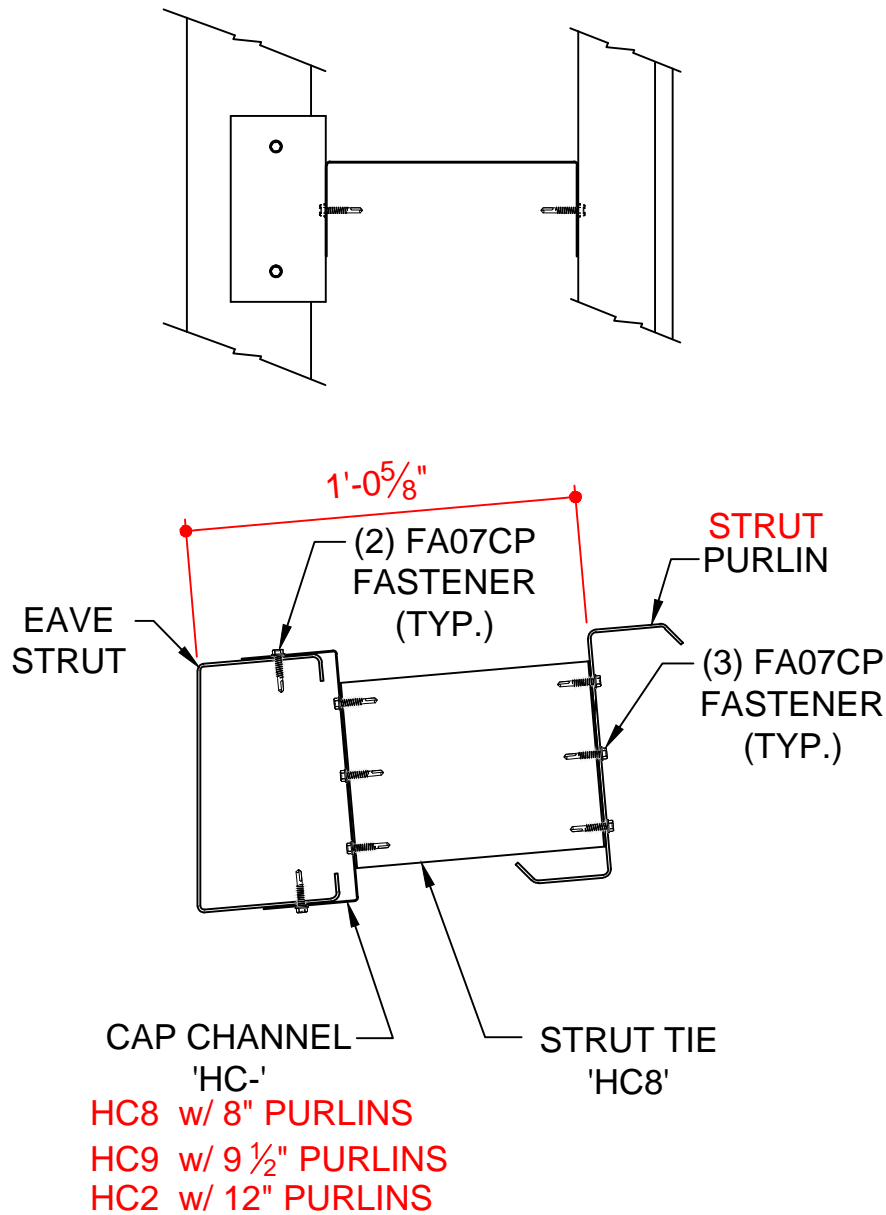


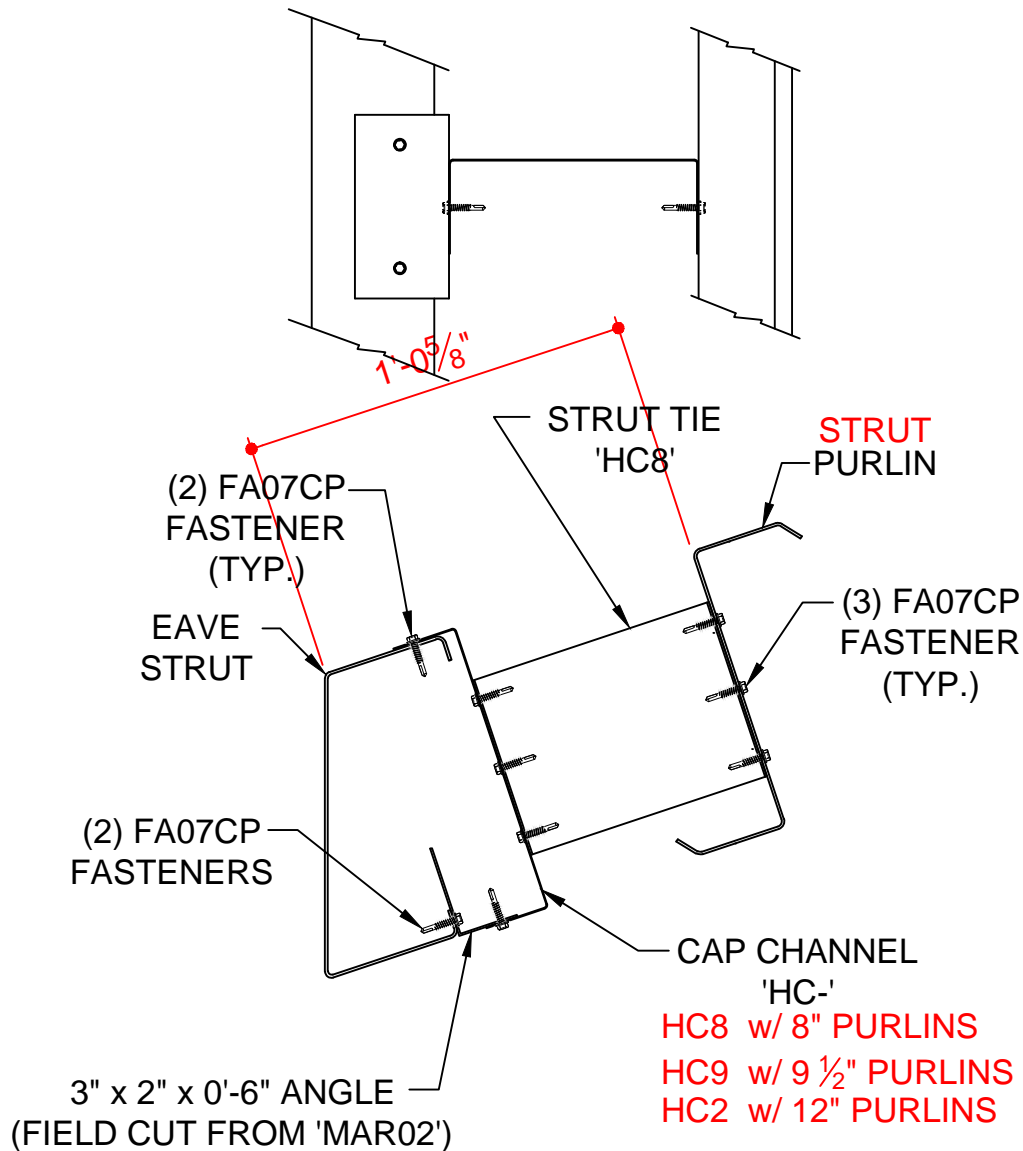
- AK1104 - ES to Strut Purlin (Low Side)
- AK2104 - ES to Strut Purlin (Low Side) High Slope
- AK1105 - ES to Strut Purlin (High Side)
- AK2105 - ES to Strut Purlin (High Side) High Slope



AK1104K

EAVE STRUT ATTACHMENT TO STRUT PURLIN

USE WITH 8" PURLINS FOR ROOF SLOPES UP TO AND INCLUDING 3:12
USE WITH 9 1/2" PURLINS FOR ROOF SLOPES UP TO AND INCLUDING 2:12
USE WITH 12" PURLINS FOR ROOF SLOPES UP TO AND INCLUDING 2:12



AK2104K

EAVE STRUT ATTACHMENT TO STRUT PURLIN

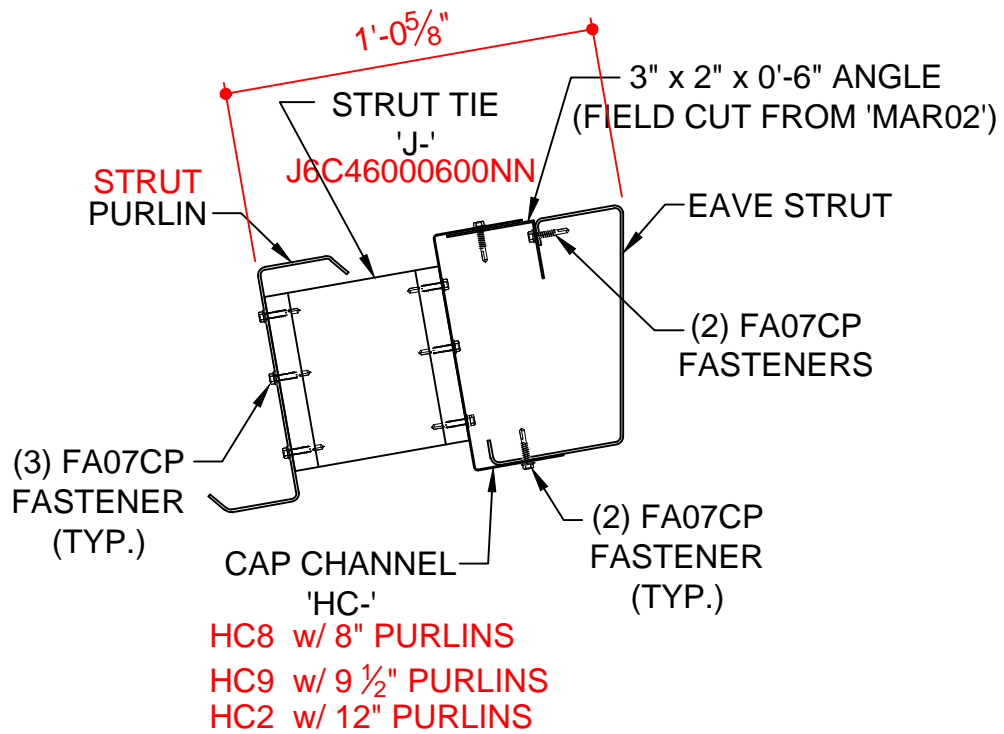
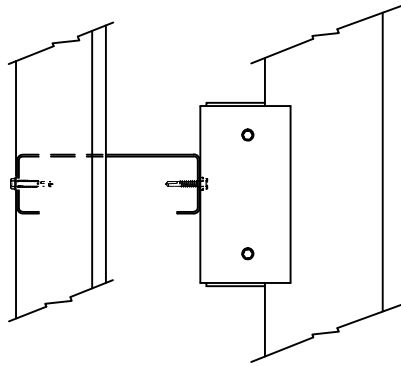
USE WITH 8" PURLINS FOR ROOF SLOPES GREATER THAN 3:12 THRU 4:12
USE WITH 9 1/2" PURLINS FOR ROOF SLOPES GREATER THAN 2:12 THRU 4:12
USE WITH 12" PURLINS FOR ROOF SLOPES GREATER THAN 2:12 THRU 4:12



PREPARED BY: BKC

DATE 6-12-17

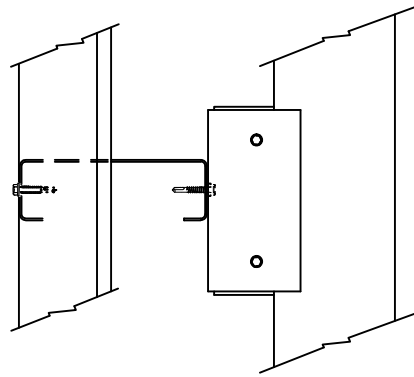
AK2104



AK1105K

EAVE STRUT ATTACHMENT TO STRUT PURLIN

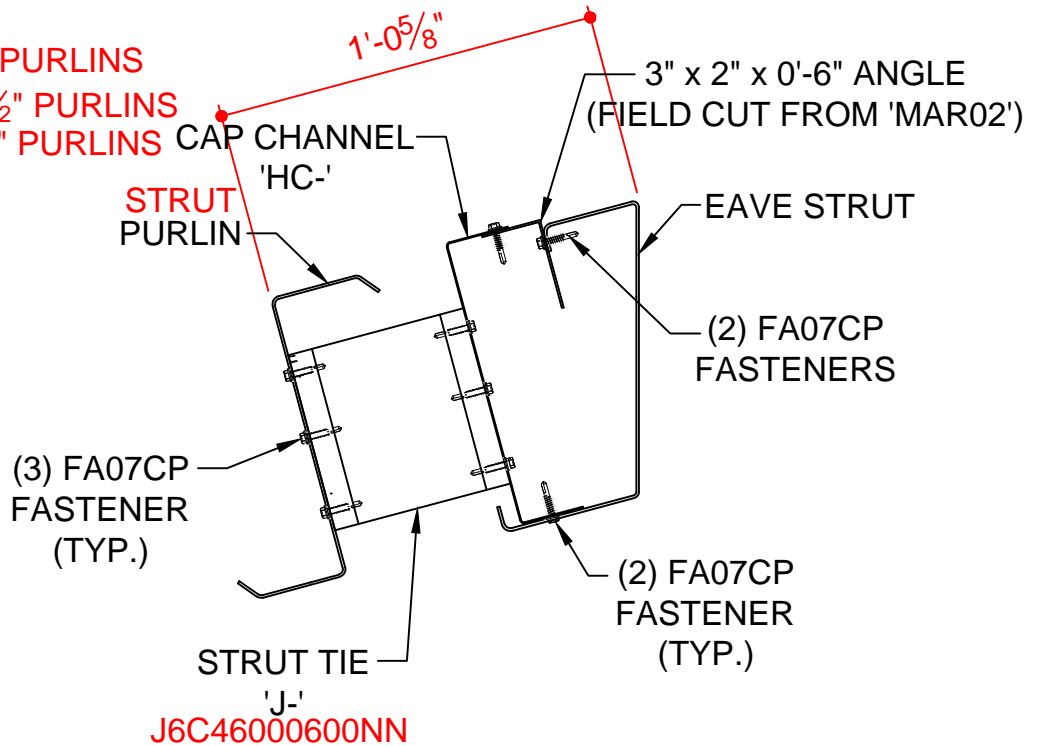
USE WITH 8" PURLINS FOR ROOF SLOPES UP TO AND INCLUDING 3:12
 USE WITH 9 1/2" PURLINS FOR ROOF SLOPES UP TO AND INCLUDING 2:12
 USE WITH 12" PURLINS FOR ROOF SLOPES UP TO AND INCLUDING 2:12



HC8 w/ 8" PURLINS

HC9 w/ 9 1/2" PURLINS

HC2 w/ 12" PURLINS



AK2105K

EAVE STRUT ATTACHMENT TO STRUT PURLIN

USE WITH 8" PURLINS FOR ROOF SLOPES GREATER THAN 3:12 THRU 4:12
USE WITH 9 1/2" PURLINS FOR ROOF SLOPES GREATER THAN 2:12 THRU 4:12
USE WITH 12" PURLINS FOR ROOF SLOPES GREATER THAN 2:12 THRU 4:12