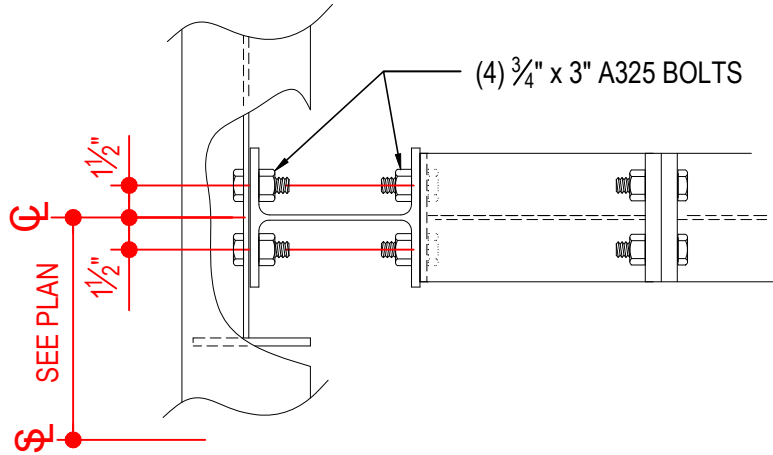
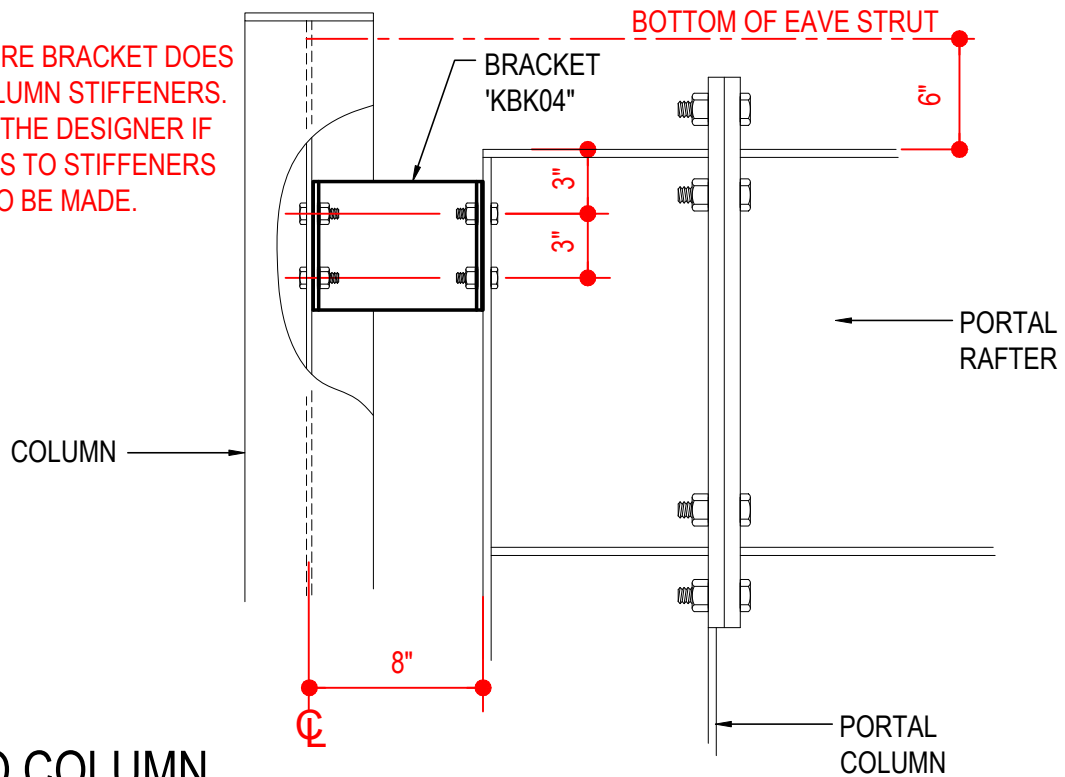


AJ0042 - Non-Nested Portal to Col  
AJ0062 - Non-Nested Fixed Base to Col

### AJ0042 - PORTAL TO COLUMN



CHECK TO INSURE BRACKET DOES NOT FOUL COLUMN STIFFENERS. CHECK WITH THE DESIGNER IF ADJUSTMENTS TO STIFFENERS NEED TO BE MADE.



## PORTAL TO COLUMN

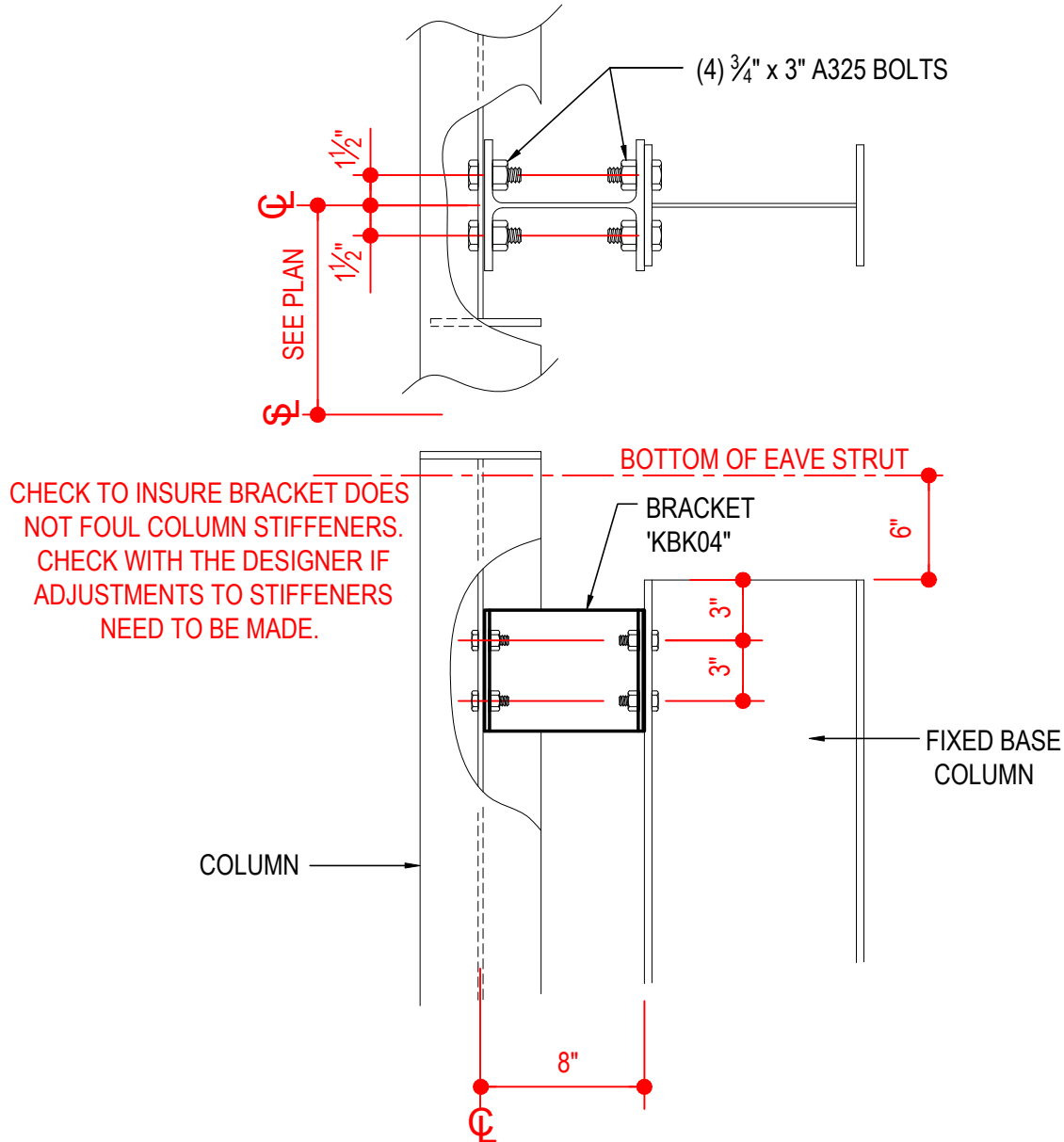
NON-NESTED PORTAL ATTACHMENT TO COLUMN

**AJ0042**

Detailer Notes:

- 1) N/A

### AJ0062 - FIXED BASE TO COLUMN



## FIXED BASE TO COLUMN

NON-NESTED FIXED BASE COLUMN ATTACHMENT TO COLUMN

**AJ0062**

Detailer Notes:

- 1) N/A