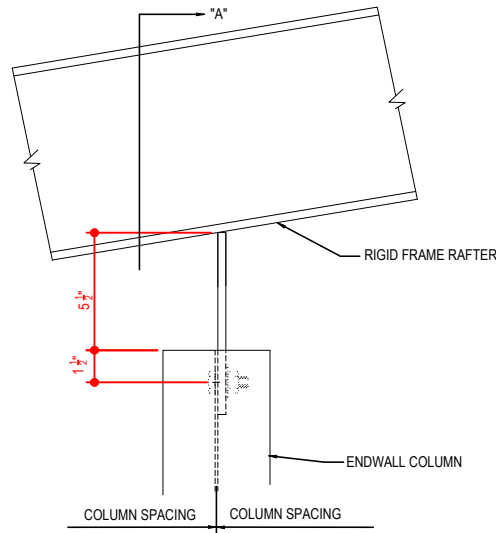
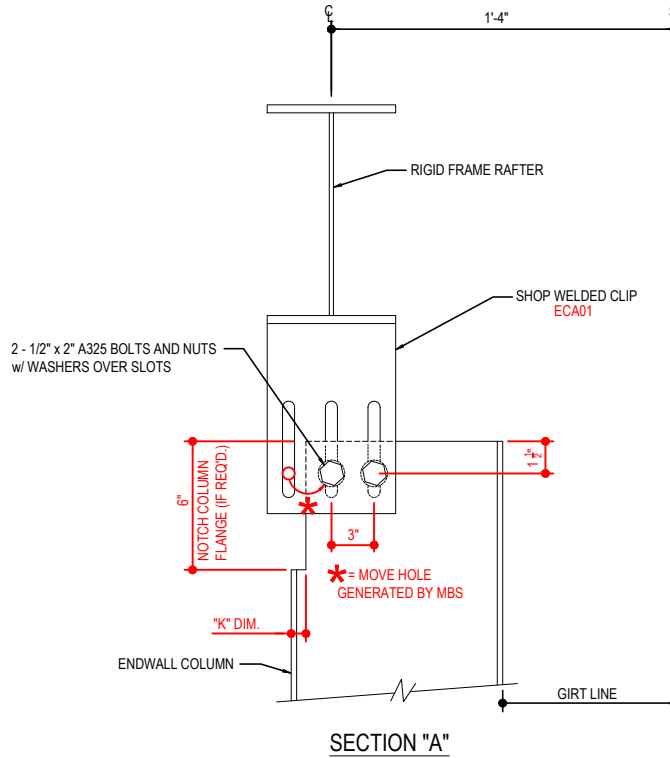


- AD0210 - "I" Wind Column to RF Rafter
- AD1210 - By-Frame 8" "I" Col. to RF Rafter
- AD3211 - By-Frame "C" Col. to RF Rafter
- AD1211 - By-Frame 8" "C" Col. to RF Rafter

AD0210 - I SHAPED ENDWALL COLUMN TO RIGID FRAME RAFTER



I SHAPED ENDWALL COLUMN CONNECTION

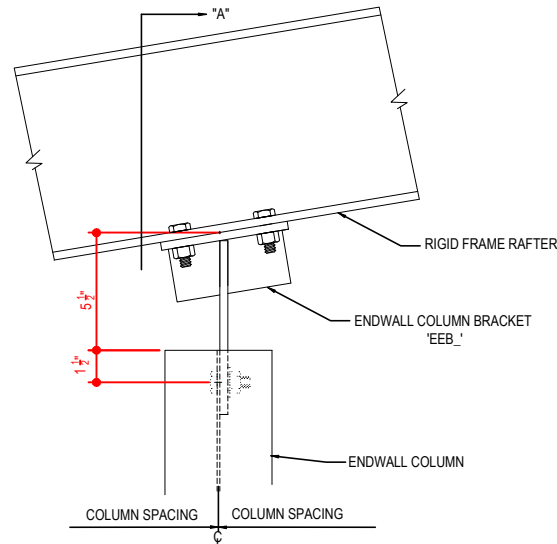
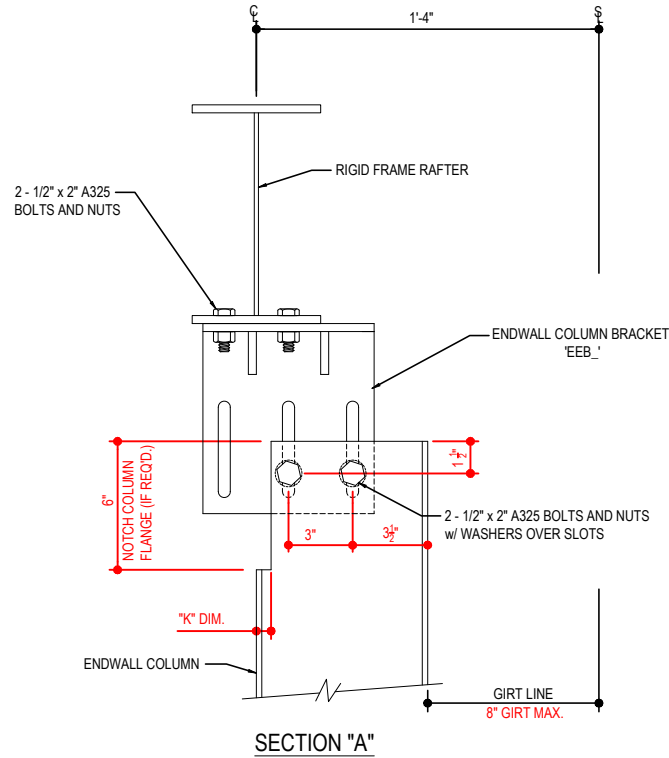
I SHAPED ENDWALL COLUMN TO RIGID FRAME RAFTER
REFERENCE A00010 FOR WASHER REQUIREMENTS

AD0210

Detailer Notes:

- 1) N/A

AD1210 - 8" I SHAPED ENDWALL COLUMN w/8" GIRT TO RIGID FRAME RAFTER



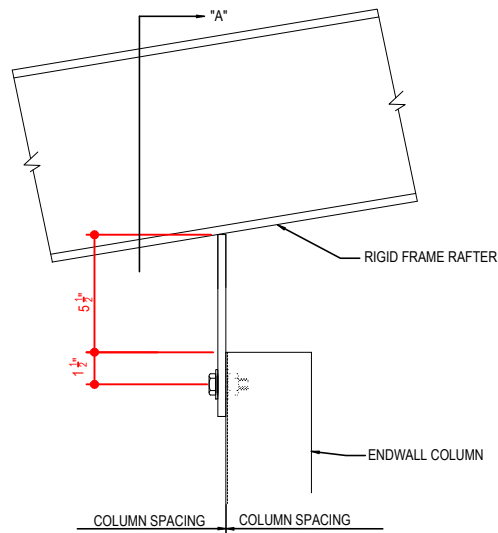
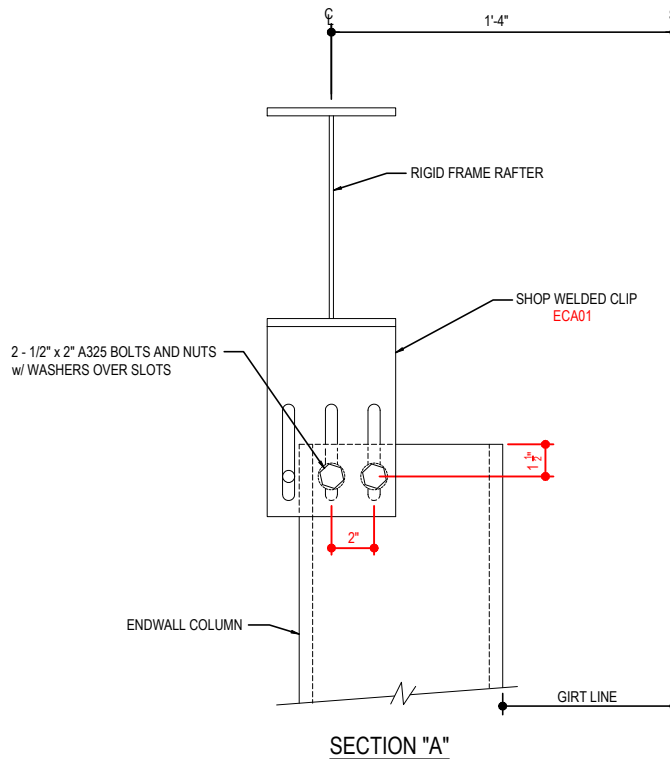
I SHAPED ENDWALL COLUMN CONNECTION
8" I SHAPED ENDWALL COLUMN W/8" GIRT TO RIGID FRAME RAFTER
REFERENCE A00010 FOR WASHER REQUIREMENTS

AD1210

Detailer Notes:

- 1) N/A

AD0211 - 9 1/2" CEE SHAPED ENDWALL COLUMN TO RIGID FRAME RAFTER



CEE SHAPED ENDWALL COLUMN CONNECTION

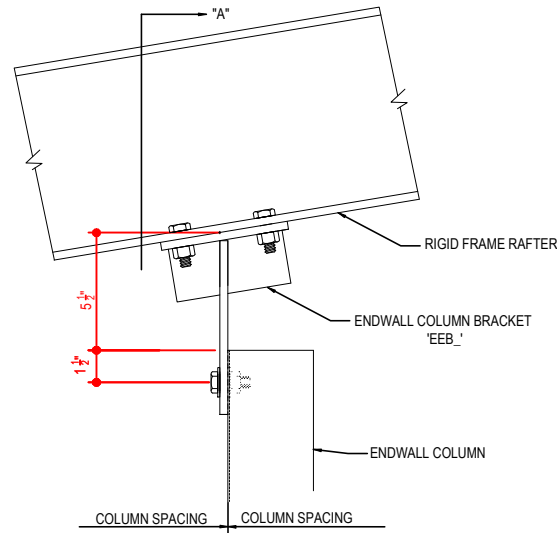
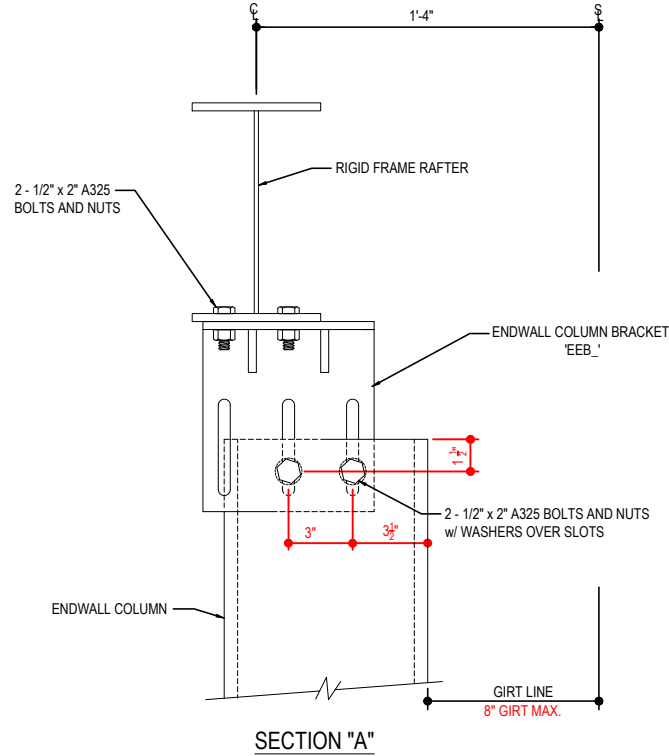
9 1/2" CEE SHAPED ENDWALL COLUMN TO RIGID FRAME RAFTER
REFERENCE A00010 FOR WASHER REQUIREMENTS

AD0211

Detailer Notes:

- 1) DO NOT USE THIS DETAIL WITH 8" GIRTS AND 8" COLUMNS. USE AD1211.

AD1211 - 8" CEE SHAPED ENDWALL COLUMN W/8" GIRT TO RIGID FRAME RAFTER



CEE SHAPED ENDWALL COLUMN CONNECTION
8" CEE SHAPED ENDWALL COLUMN W/8" GIRT TO RIGID FRAME RAFTER
REFERENCE A00010 FOR WASHER REQUIREMENTS

AD1211

Detailer Notes:

- 1) N/A