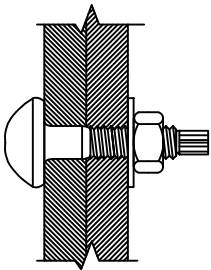


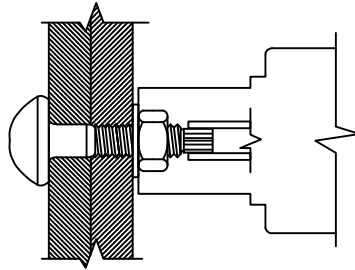
AA0501 - Tension Control Bolt Tightening

TENSION CONTROL BOLT INSTALLATION

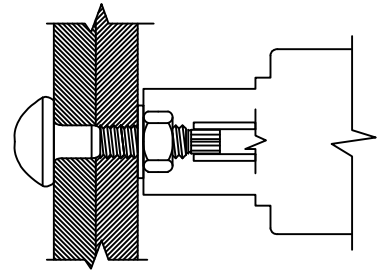
1. PLACE THE BOLT INTO THE CONNECTION WITH THE WASHER UNDER THE NUT. INSTALL ALL BOLTS SNUG TIGHT TO INSURE THAT THE CONNECTION PLATES ARE PROPERLY SEATED BEFORE PROCEEDING TO STEP 2.



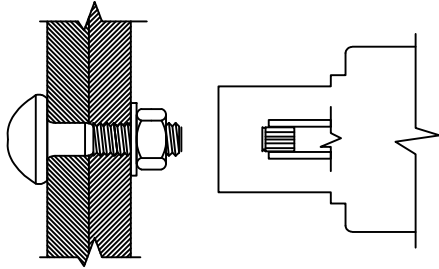
2. SLIDE THE INNER SOCKET OVER THE BOLT TIP AND THE OUTER SOCKET OVER THE NUT.



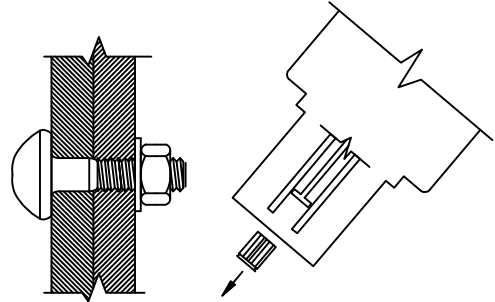
3. PRESS THE TRIGGER SWITCH. THE OUTER SOCKET WILL ROTATE AND TIGHTEN THE NUT UNTIL THE BOLT REACHES THE REQUIRED TENSION. WHEN THE PROPER BOLT TENSION IS REACHED, THE TIP OF THE BOLT WILL SHEAR OFF.



4. WHEN THE TIP OF THE BOLT SHEARS, PULL BACK ON THE WRENCH UNTIL THE OUTER SOCKET IS NO LONGER ENGAGING THE NUT.



5. PUSH THE EJECTOR LEVER TO DISCHARGE THE SEVERED BOLT TIP.



AA0501

TENSION CONTROL BOLT INSTALLATION INSTRUCTIONS